

# Pressure Control Panels

## FSR-1 Series Pressure Control Panels for Single Cylinder

### Features

- ⦿ With a FCR-1 Series Regulator
- ⦿ Maximum inlet pressure up to 4500 psig
- ⦿ With vent valves to relieve residual pressure quickly, easy and safe to remove and replace gas source
- ⦿ Anodized Aluminium panel
- ⦿ Bracket mounting as standard

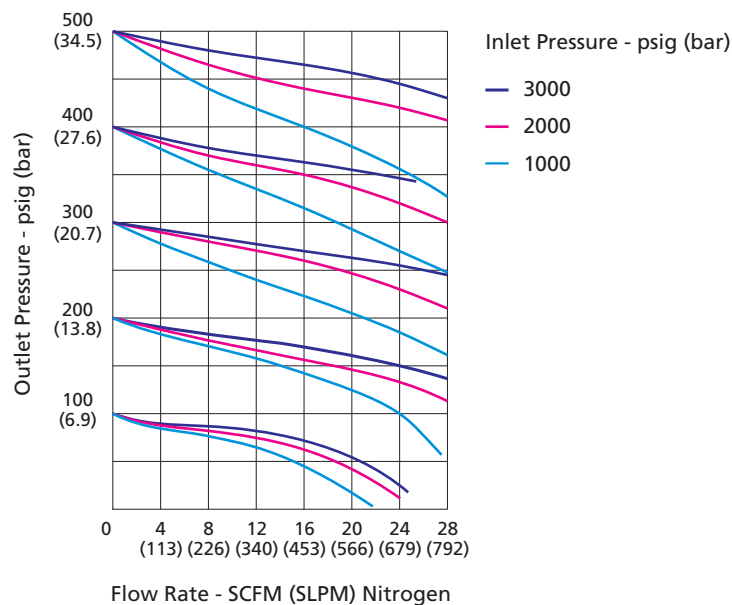


Model: FSR-16L-45-100-00-B-B-00-R-P

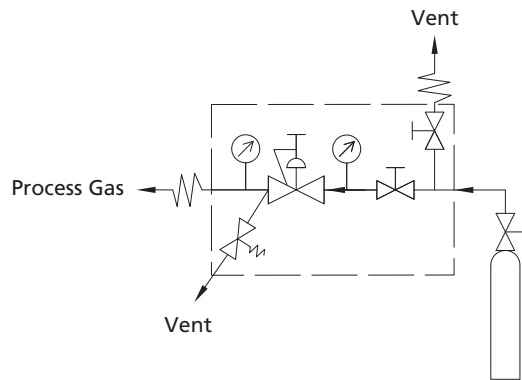
### Technical Data

- ⦿ Maximum inlet pressure: 3000 or 4500 psig
- ⦿ Outlet pressure range: 0~25, 0~50, 0~100, 0~250 or 0~500 psig
- ⦿ Material of the main components:
  - Seat: PCTFE (regulator and diaphragm valve)
  - Diaphragm: Hastelloy (regulator), Elgiloy (diaphragm valve)
  - Diaphragm valve body: 316L
  - Filter: 316L
- ⦿ Temperature: -10°F~+150°F (-23°C~+65°C)
- ⦿ Leak rates:
  - Internal:  $\leq 1 \times 10^{-7}$  mbar·l/s helium
  - External:  $\leq 1 \times 10^{-9}$  mbar·l/s helium
- ⦿ Flow coefficient (regulator Cv): 0.06

### Typical Flow Chart

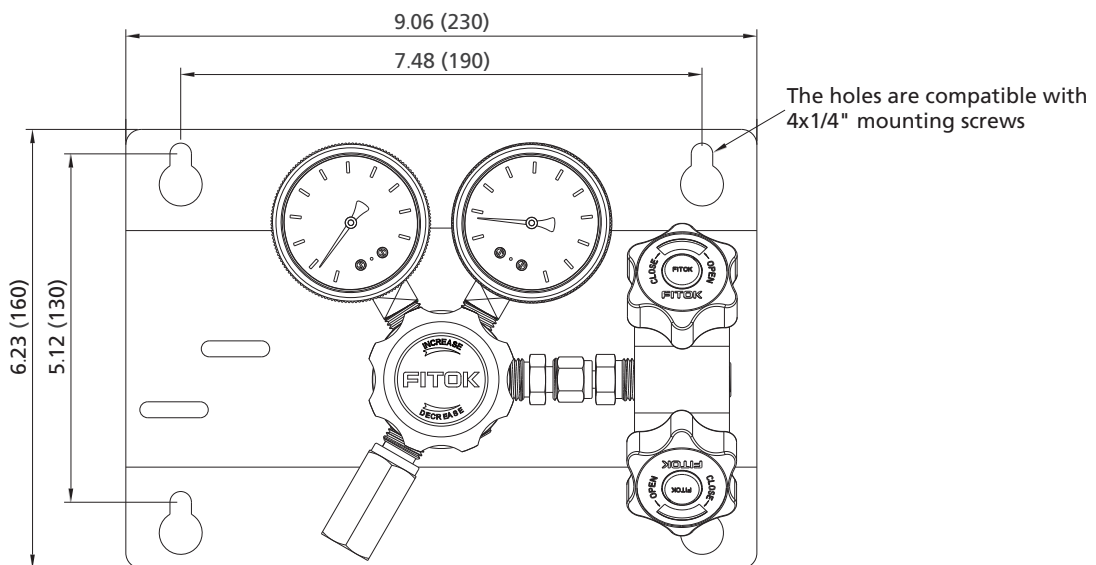
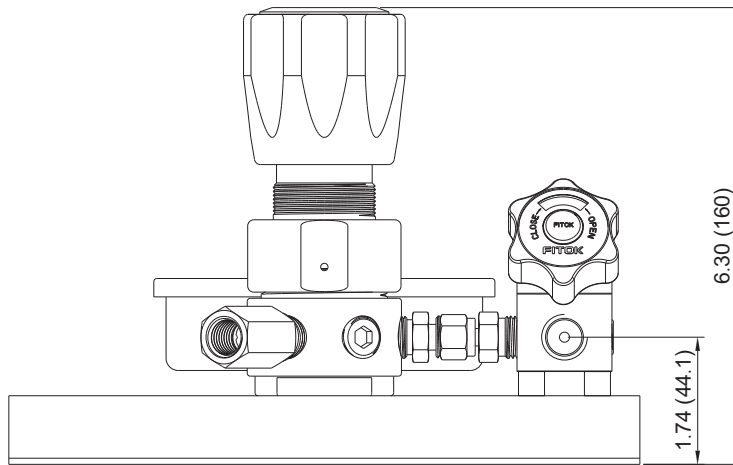


## Flow Schematic

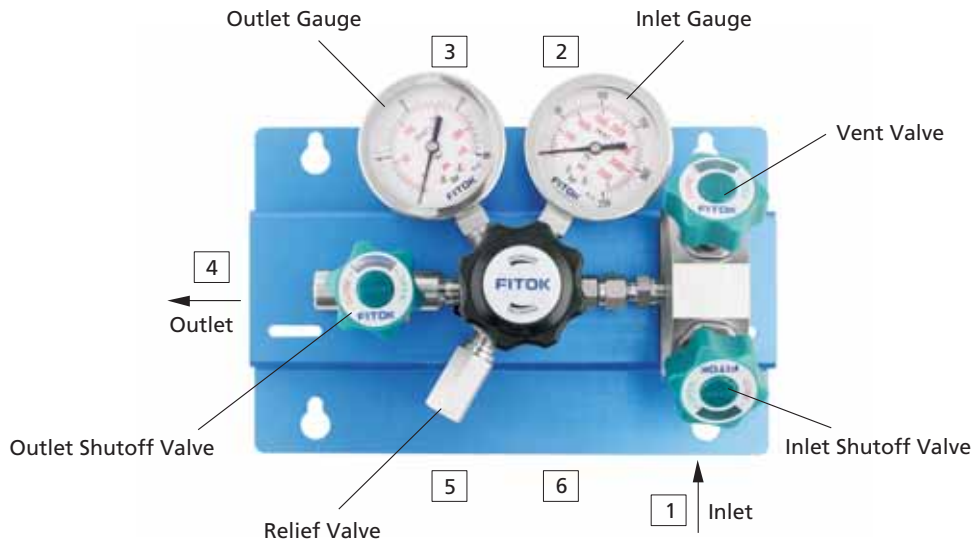


## Dimensions

Dimensions, in inches (millimeters), are for reference only.



## Components Introduction



## Part Number Description

FSR – 16L – 30 – 50 – 00 – B – B – 30 – R – P

Body Material (Regulator)	Connection 1	Connection 2	Connection 4	Connection 5
6L 316L SS	00 1/4" Female NPT	B With Gauge (psi/bar)	00 1/4" Female NPT	R Relief Valve
SS 316 SS	01 1/4" Male NPT	M With Gauge (MPa)	01 1/4" Male NPT	P Plug
HC Hastelloy C-276	10 1/4" Tube Fitting	P Plug	10 1/4" Tube Fitting	00 1/4" Female NPT
B Brass (Nickel-plated)	11 3/8" Tube Fitting	00 1/4" Female NPT	11 3/8" Tube Fitting	
	20 6 mm Tube Fitting		20 6 mm Tube Fitting	
	21 8 mm Tube Fitting		21 8 mm Tube Fitting	
		Connection 3	30 Diaphragm Valve with 1/4" Female NPT	Connection 6
		Same as Connection 2	31 Diaphragm Valve with 1/4" Male NPT	Same as Connection 5
	Other connections are available upon request		32 Diaphragm Valve with 1/4" Tube Fitting	
			33 Diaphragm Valve with 3/8" Tube Fitting	
			34 Diaphragm Valve with 6 mm Tube Fitting	
			35 Diaphragm Valve with 8 mm Tube Fitting	
			Other connections are available upon request	

Inlet Pressure P1
30 3000 psig
45 4500 psig

Outlet Pressure Range P2
25 0~25 psig
50 0~50 psig
100 0~100 psig
250 0~250 psig
500 0~500 psig

Note: Most configurations are available.