

Point-of-use Panels

FPR-1 Series Compact Regulators for Low Pressure

Features

- ⦿ With a FLR-1 Series Regulator
- ⦿ With metal diaphragm regulators
- ⦿ Shutoff valves with window to visually indicate open and closed states
- ⦿ Anodized Aluminium panel, easy to install
- ⦿ Regulator body of 316L SS or Brass optional
- ⦿ Three configurations available

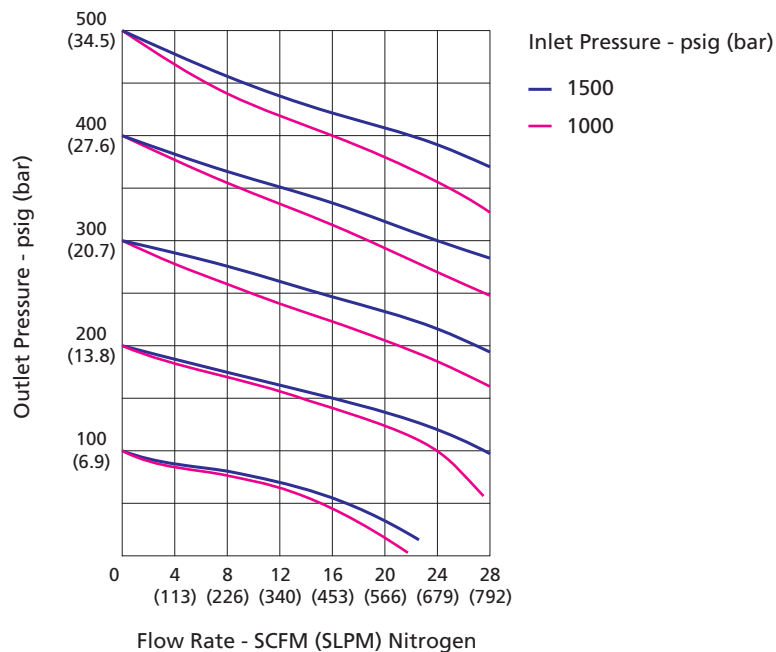
Technical Data

- ⦿ Maximum inlet pressure: 1500 psig
- ⦿ Outlet pressure range: 0~25, 0~50, 0~100, 0~250 or 0~500 psig
- ⦿ Material of the main components:
 - Seat: PCTFE (regulator and diaphragm valve)
 - Diaphragm: Hastelloy (regulator), Elgiloy (diaphragm valve)
 - Diaphragm valve body: 316L
 - Filter: 316L
- ⦿ Temperature: -10°F~+150°F (-23°C~+65°C)
- ⦿ Leak rates:
 - Internal: $\leq 1 \times 10^{-7}$ mbar·l/s helium
 - External: $\leq 1 \times 10^{-9}$ mbar·l/s helium
- ⦿ Flow coefficient (regulator Cv): 0.14



Model: FPR-1U6L-15-50-11-B-11

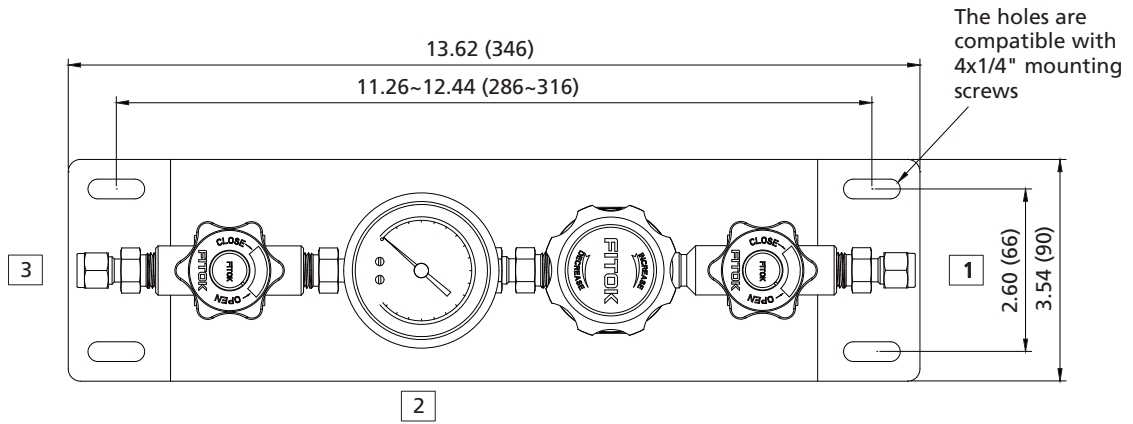
Typical Flow Chart



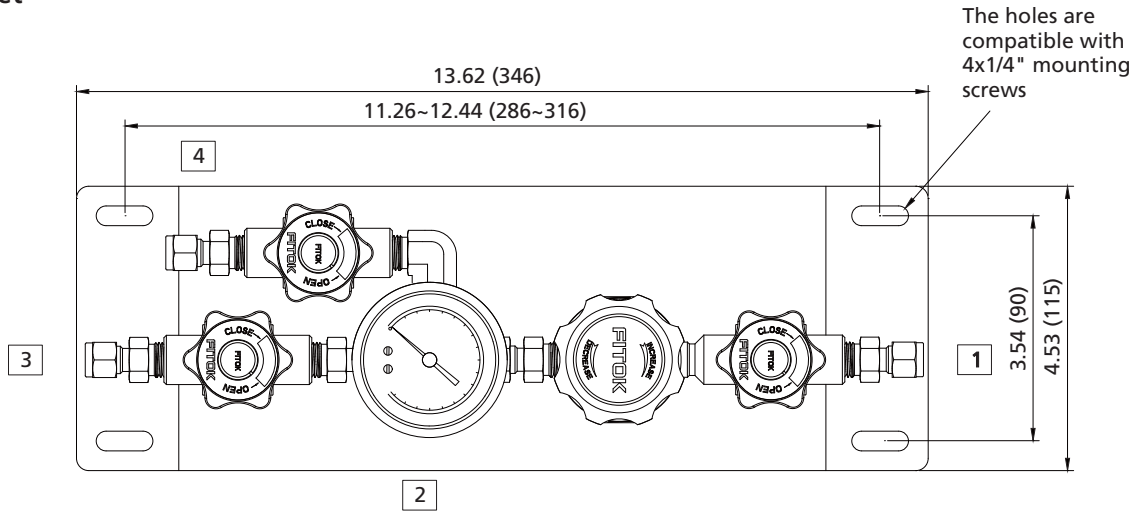
Dimensions

Dimensions, in inches (millimeters), are for reference only.

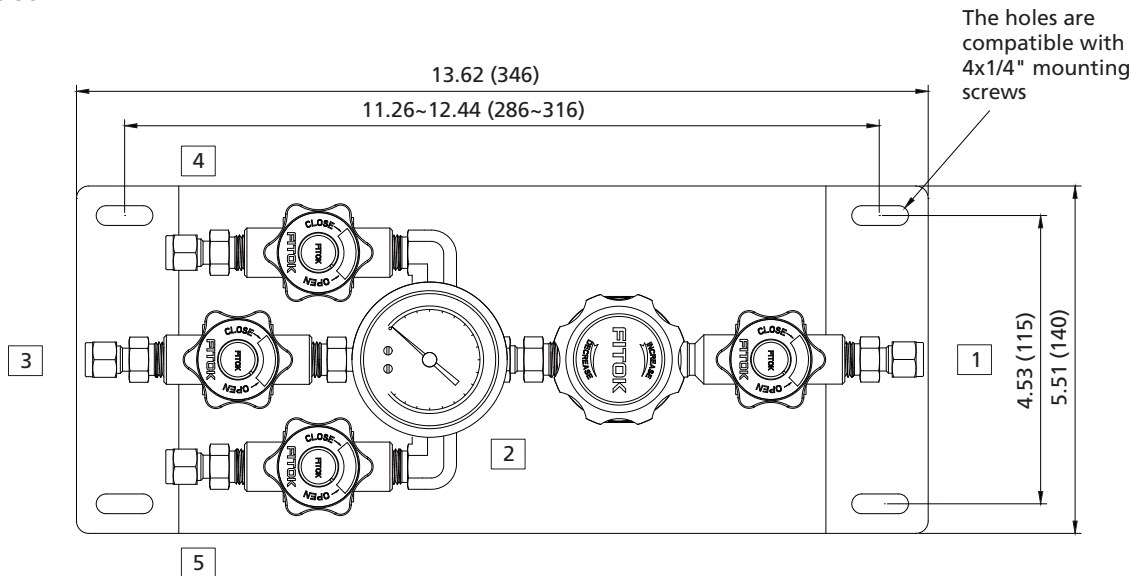
Single-outlet



Dual-outlet



Triple-outlet



Components Introduction



Part Number Description

FPR - 1C		6L - 15 - 100		- 10		- M		- 10 - 00 - 00			
Outlet Option		Inlet Pressure P1		Connection 1		Connection 2		Connection 3		Connection 4	
U	Single-outlet	15	1500 psig	00	1/4" Female NPT	B	With Gauge (psi/bar)	00	1/4" Female NPT	Same as Connection 1	
T	Dual-outlet	Outlet Pressure Range P2		01	1/4" Male NPT	M	With Gauge (MPa)	01	1/4" Male NPT	Connection 5 Same as Connection 1	
C	Triple-outlet			10	1/4" Tube Fitting	P	Plug	10	1/4" Tube Fitting		
Body Material (Regulator)		25	0~25 psig	11	3/8" Tube Fitting	00	1/4" Female NPT	11	3/8" Tube Fitting	Other connections are available upon request	
6L	316L SS	50	0~50 psig	20	6 mm Tube Fitting	Other connections are available upon request		20	6 mm Tube Fitting		
SS	316 SS	100	0~100 psig	21	8 mm Tube Fitting			21	8 mm Tube Fitting		
HC	Hastelloy C-276	250	0~250 psig	Other connections are available upon request		Other connections are available upon request		Other connections are available upon request			
B	Brass (Nickel-plated)	500	0~500 psig								

Examples of part number:

a. 2-port type (1 in, 1 out): FPR-1U6L-15-50-11-B-11

b. 3-port type (1 in, 2 out): FPR-1TSS-15-100-00-B-00-00

Point-of-use Panels

FPR-1S Series Sensitive Regulators for Low Pressure

Features

- ⦿ With a FCR-1S Series Regulator of large diameter metal diaphragm to provide accurate pressure control
- ⦿ Shutoff valves with window to visually indicate open and closed states
- ⦿ Anodized Aluminium panel, easy to install
- ⦿ Three porting configurations available

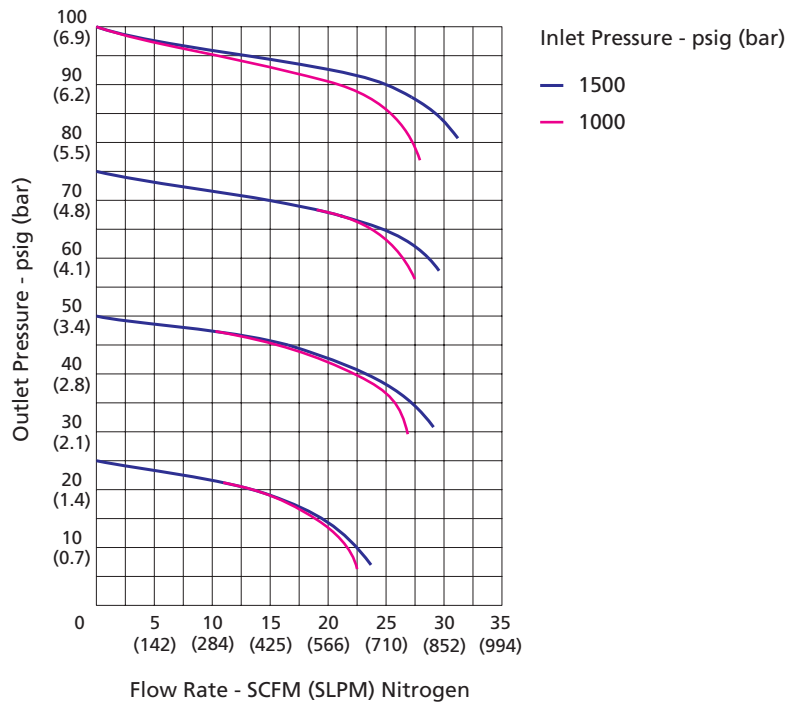
Technical Data

- ⦿ Maximum inlet pressure: 1500 psig
- ⦿ Outlet pressure range: 0~25, 0~50, 0~100, 0~150 or 0~200 psig
- ⦿ Material of the main components:
 - Seat: PCTFE (regulator and diaphragm valve)
 - Diaphragm: 316L (regulator), Elgiloy (diaphragm valve)
 - Diaphragm valve body: 316L
 - Filter: 316L
- ⦿ Temperature: -10°F~+150°F (-23°C~+65°C)
- ⦿ Leak rates:
 - Internal: $\leq 1 \times 10^{-7}$ mbar·l/s helium
 - External: $\leq 1 \times 10^{-9}$ mbar·l/s helium
- ⦿ Flow coefficient (regulator Cv): 0.06



Model: FPR-1SUSS-15-50-10-B-10

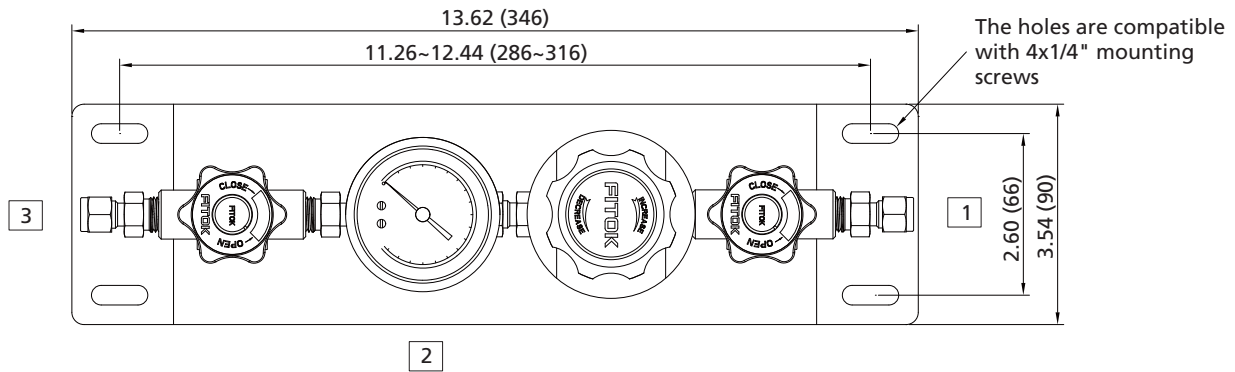
Typical Flow Chart



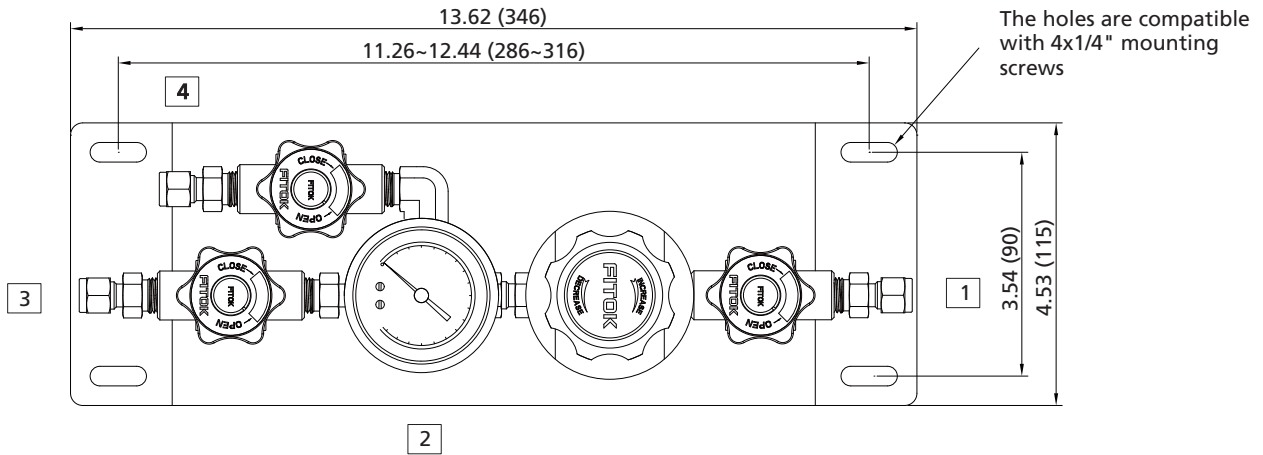
Dimensions

Dimensions, in inches (millimeters), are for reference only.

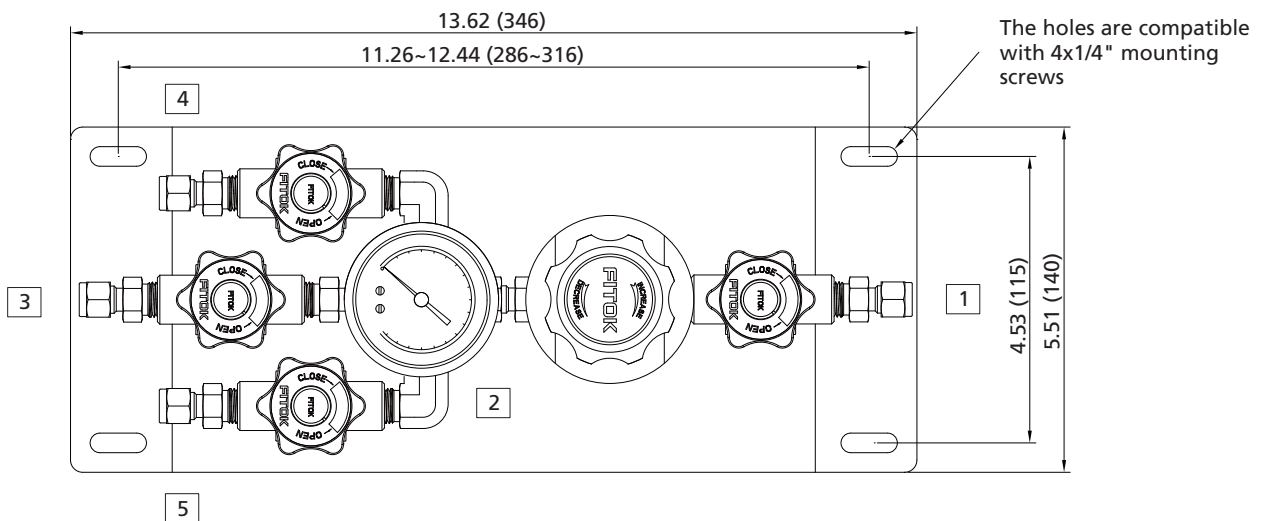
Single-outlet



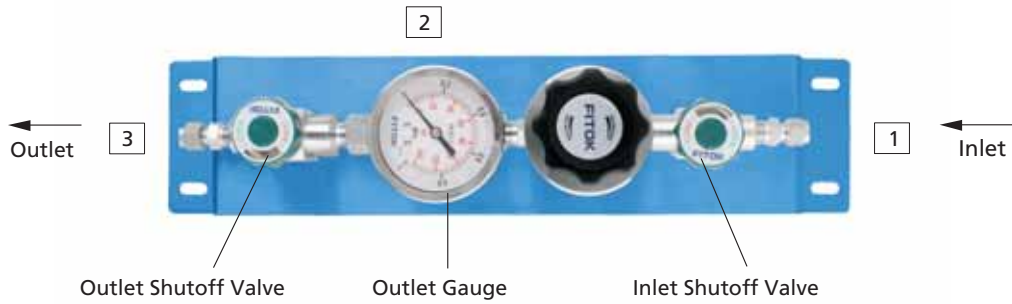
Dual-outlet



Triple-outlet



Components Introduction



Part Number Description

FPR - 1SC 6L - 15 - 100 - 10 - M - 10 - 00 - 00

Outlet Option		Inlet Pressure P1		Connection 1		Connection 2		Connection 3		Connection 4	
U	Single-outlet	15	1500 psig	00	1/4" Female NPT	B	With Gauge (psi/bar)	00	1/4" Female NPT	Same as Connection 1	
T	Dual-outlet	Outlet Pressure Range P2 25 0~25 psig 50 0~50 psig 100 0~100 psig 150 0~150 psig 200 0~200 psig		01	1/4" Male NPT	M	With Gauge (MPa)	01	1/4" Male NPT	Connection 5 Same as Connection 1	
C	Triple-outlet			10	1/4" Tube Fitting	P	Plug	10	1/4" Tube Fitting		
Body Material (Regulator)				11	3/8" Tube Fitting	00	1/4" Female NPT	11	3/8" Tube Fitting		
6L	316L SS			20	6 mm Tube Fitting	Other connections are available upon request		20	6 mm Tube Fitting		
SS	316 SS			21	8 mm Tube Fitting			21	8 mm Tube Fitting		
B	Brass	Other connections are available upon request		Other connections are available upon request							

Examples of part number:

- a. 2-port type (1 in, 1 out): FPR-1SU6L-15-25-00-B-20
- b. 3-port type (1 in, 2 out): FPR-1STB-15-200-10-M-10-10