

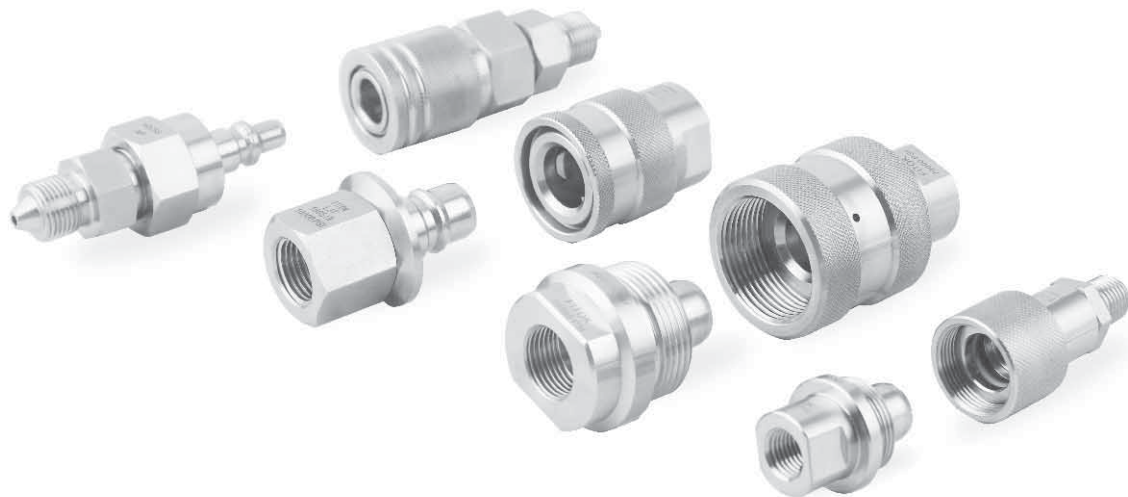
# Quick Couplings

HQP Series, 10,000 psig (690 bar)

HQB Series, 10,000 psig (690 bar)

HQS Series, 20,000 psig (1379 bar)

HQC Series, 30,000 psig (2068 bar)



Medium & High Pressure  
Fittings and Tubing

Quick Couplings

Medium & High Pressure  
Valves

Line Filters

Sour Service Products

Subsea Valves

Tools and Installation  
Instructions

Technical Information

# Contents

HQP Series	B-04
HQB Series	B-06
HQS Series	B-08
HQC Series	B-10
Ordering Number Description	B-16

Medium & High Pressure  
Fittings and Tubing

Quick Couplings

Medium & High Pressure  
Valves

Line Filters

Sour Service Products

Subsea Valves

Tools and Installation  
Instructions

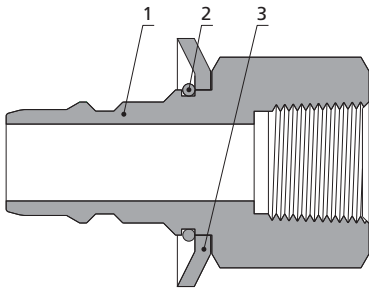
Technical Information

# HQP Series

## Features

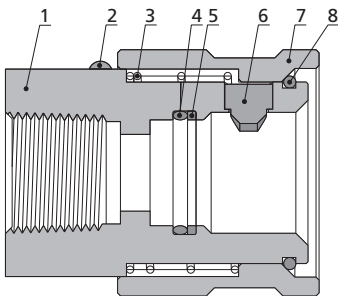
- ⦿ Working Pressure: 10,000 psig (690 bar)
- ⦿ Fluorocarbon FKM O-ring for operation from 0°F to 400°F (-17.8°C to 204°C), other O-ring materials available
- ⦿ Push-and-pull type quick coupling without check valve
- ⦿ Stem and body material: high tensile 316 Stainless Steel
- ⦿ Flow coefficient (Cv) up to 8.2
- ⦿ Sturdy locking mechanism with large contact area to ensure reliable stem retainment
- ⦿ Easy and quick connection to hoses and fixed ports

## Standard Materials of Construction



Nipple

Item	Component	Material Grade/ASTM Specification
1	<i>Stem</i>	<i>316 SS/A479</i>
2	Wire Ring	Stainless Steel
3	Pull Piece	316 SS/A479

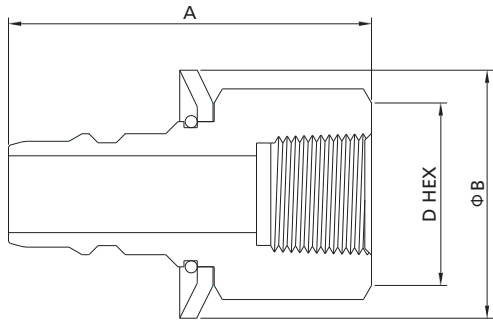


Coupler

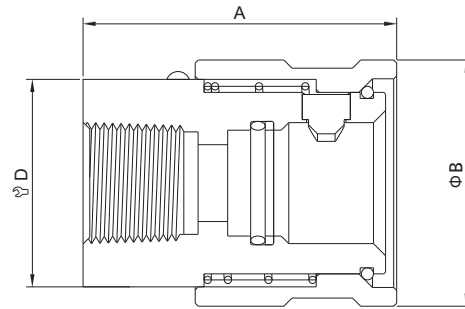
Item	Component	Material Grade/ASTM Specification
1	<i>Body</i>	<i>316 SS/A479</i>
2	Pin	Stainless Steel
3	Spring	300 Series SS
4	<i>O-ring</i>	<i>Fluorocarbon FKM</i>
5	Retaining Ring	PTFE
6	Locking Block	Stainless Steel
7	Slip Sleeve	316 SS/A479
8	Wire Ring	Stainless Steel

*Wetted component listed in italics.*

## Ordering Information and Dimensions



Nipple



Coupler

Type	Ordering Number	Connection	Dimensions, in. (mm)			Working Pressure psig (bar)
			A	B	D	
Nipple	HQPSS-FNS6-NP	FNS6	2.17 (55.0)	1.59 (40.4)	1.19 (30.2)	10,000 (690)
	HQPSS-FNS8-NP	FNS8	2.36 (60.0)	1.59 (40.4)	1.19 (30.2)	
Coupler	HQPSS-FNS6-CP	FNS6	2.05 (52.0)	1.59 (40.4)	1.19 (30.2)	
	HQPSS-FNS8-CP	FNS8	2.05 (52.0)	1.59 (40.4)	1.19 (30.2)	

NOTE: All dimensions are for reference only and are subject to change. For dimensions not shown above, please contact FITOK Group or our authorized distributors.

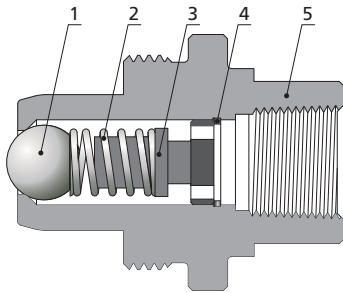
Medium & High Pressure Fittings and Tubing
Quick Couplings
Medium & High Pressure Valves
Line Filters
Surf Service Products
Subsea Valves
Tools and Installation Instructions
Technical Information

# HQB Series

## Features

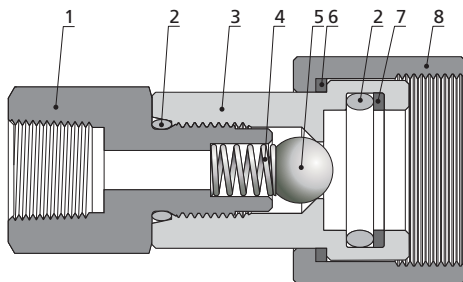
- ⦿ Working Pressure: 10,000 psig (690 bar)
- ⦿ Fluorocarbon FKM O-ring for operation from 0°F to 400°F (-17.8°C to 204°C), other O-ring materials available
- ⦿ Screw type quick coupling with check valve
- ⦿ 17-4PH Stainless Steel stem and high tensile 316 Stainless Steel body
- ⦿ Flow coefficient (Cv) up to 0.53
- ⦿ Withstand full working pressure when disconnected
- ⦿ Check valve with metal ball sealing, without guarantee of full gas impermeability
- ⦿ Easy and quick connection to hoses and fixed ports

## Standard Materials of Construction



Nipple

Item	Component	Material Grade/ASTM Specification
1	<i>Ball</i>	<i>Stainless Steel</i>
2	<i>Spring</i>	<i>300 Series SS</i>
3	<i>Seat</i>	<i>316 SS/A479</i>
4	<i>Retaining Ring</i>	<i>Stainless Steel</i>
5	<i>Stem</i>	<i>17-4PH SS/A564</i>

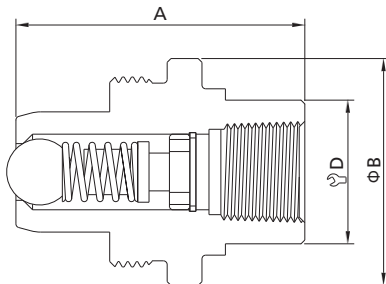


Coupler

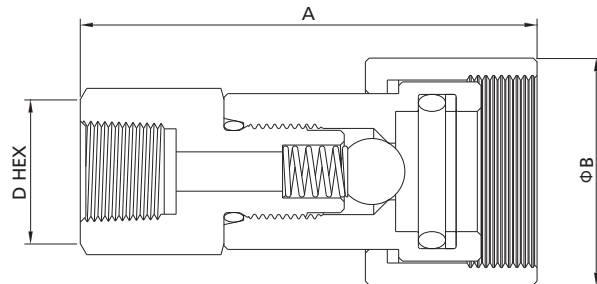
Item	Component	Material Grade/ASTM Specification
1	<i>Body</i>	<i>316 SS/A479</i>
2	<i>O-ring</i>	<i>Fluorocarbon FKM</i>
3	<i>Housing</i>	<i>17-4PH SS/A564</i>
4	<i>Spring</i>	<i>300 Series SS</i>
5	<i>Ball</i>	<i>Stainless Steel</i>
6	<i>Ring</i>	<i>C63000/B150</i>
7	<i>Retaining Ring</i>	<i>PTFE</i>
8	<i>Nut</i>	<i>17-4PH SS/A564</i>
<i>Sealant adhesive</i>		<i>Anaerobic adhesive</i>

*Wetted component listed in italics.*

## Ordering Information and Dimensions



Nipple



Coupler

## B-07 Quick Couplings

Type	Ordering Number	Connection	Dimensions, in. (mm)			Working Pressure psig (bar)
			A	B	D	
Nipple	HQB4P-FNS4-NP	FNS4	1.54 (39.2)	1.18 (30.0)	0.75 (19.0)	10,000 (690)
	HQB4P-FNS6-NP	FNS6	1.54 (39.2)	1.18 (30.0)	0.94 (23.8)	
Coupler	HQB4P-FNS4-CP	FNS4	2.46 (62.4)	1.18 (30.0)	0.87 (22.2)	
	HQB4P-FNS6-CP	FNS6	2.46 (62.4)	1.18 (30.0)	0.94 (23.8)	

NOTE: All dimensions are for reference only and are subject to change. For dimensions not shown above, please contact FITOK Group or our authorized distributors.

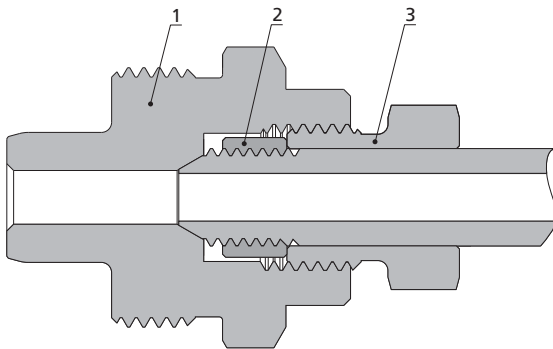
Medium & High Pressure Fittings and Tubing
Quick Couplings
Medium & High Pressure Valves
Line Filters
Sour Service Products
Subsea Valves
Tools and Installation Instructions
Technical Information

# HQS Series

## Features

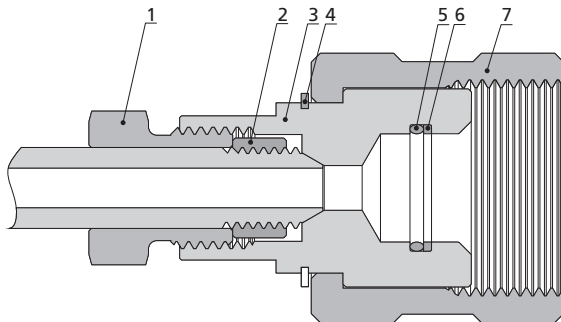
- ⦿ Working pressure up to 20,000 psig (1379 bar)
- ⦿ Fluorocarbon FKM O-ring for operation from 0°F to 400°F (-17.8°C to 204°C), other O-ring materials available
- ⦿ Screw type quick coupling without check valve
- ⦿ High tensile 316 Stainless Steel stem and 17-4PH Stainless Steel body
- ⦿ Flow coefficient (Cv) up to 3.6
- ⦿ Easy and quick connection to hoses and fixed ports

## Standard Materials of Construction



Nipple

Item	Component	Material Grade/ASTM Specification
1	Stem	316 SS/A479
2	Collar	316 SS/A479 (For tubing connections)
3	Gland	316 SS/A479 (For tubing connections)



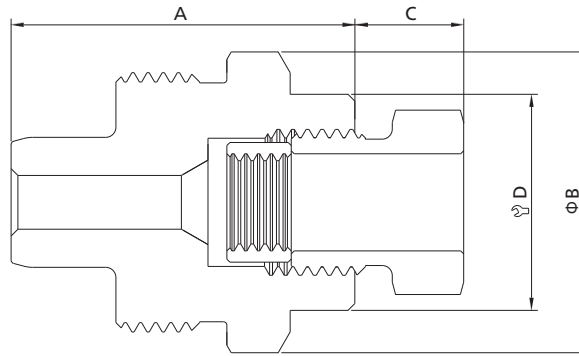
Coupler

Item	Component	Material Grade/ASTM Specification
1	Collar	316 SS/A479 (For tubing connections)
2	Gland	316 SS/A479 (For tubing connections)
3	Body	17-4PH SS/A564
4	Circlip	Stainless Steel
5	O-ring	Fluorocarbon FKM
6	Retaining Ring	PTFE
7	Nut	316 SS/A479

Wetted component listed in italics

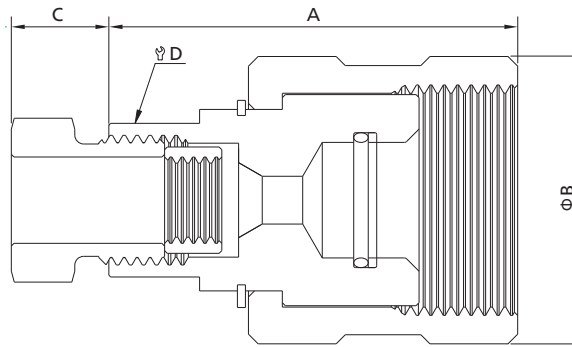
## Ordering Information and Dimensions

Nipple



Type	Ordering Number	Connection	Dimensions, in. (mm)				Working Pressure psig (bar)
			A	B	C	D	
Nipple	HQSSS-2FH9-NP	2FH9	2.40 (61.0)	1.74 (44.2)	0.55 (14.0)	1.25 (31.8)	20,000 (1379)
	HQSSS-FNS8-NP	FNS8	2.40 (61.0)	1.74 (44.2)		1.25 (31.8)	15,000 (1034)
	HQSSS-HBP8-NP	HBP8	2.76 (70.0)	1.74 (44.2)		1.00 (25.4)	20,000 (1379)

Coupler



Type	Ordering Number	Connection	Dimensions, in. (mm)				Working Pressure psig (bar)
			A	B	C	D	
Coupler	HQSSS-2FH9-CP	2FH9	2.61 (66.3)	1.91 (48.4)	0.55 (14.0)	1.00 (25.4)	20,000 (1379)
	HQSSS-FNS8-CP	FNS8	2.61 (66.3)	1.91 (48.4)		1.00 (25.4)	15,000 (1034)
	HQSSS-HBP8-CP	HBP8	3.16 (80.3)	1.91 (48.4)		1.00 (25.4)	20,000 (1379)

NOTE: All dimensions are for reference only and are subject to change. For dimensions not shown above, please contact FITOK Group or our authorized distributors.



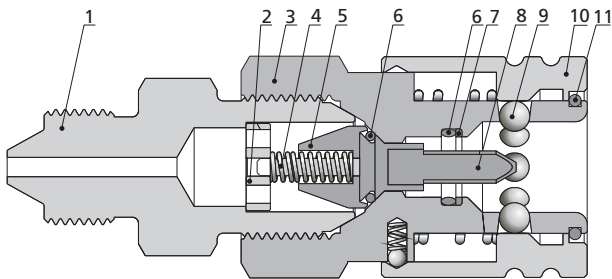
# HQC Series

## HQC Series Couplers

### Features

- ⦿ Working pressure up to 30,000 psig (2068 bar)
- ⦿ Fluorocarbon FKM O-ring for operation from 0°F to 400°F (-17.8°C to 204°C), other O-ring materials available
- ⦿ Push-and-pull type coupler with check valve
- ⦿ Body material: 17-4PH Stainless Steel
- ⦿ Flow coefficient (Cv) up to 0.66
- ⦿ Withstand full working pressure when disconnected
- ⦿ Easy and quick connection to hoses and fixed ports

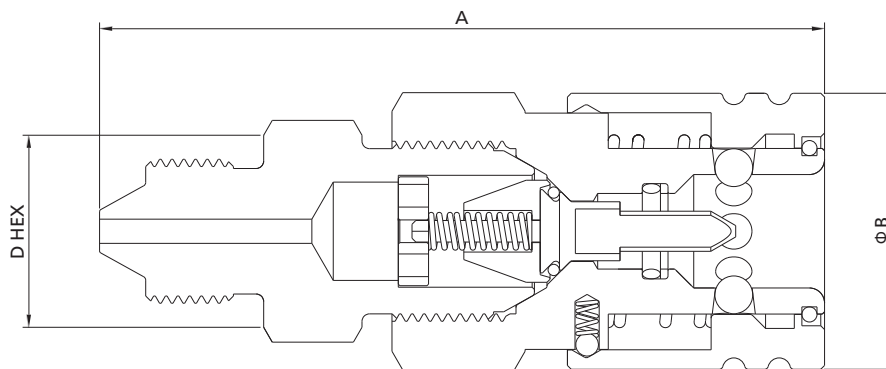
### Standard Materials of Construction



Item	Component	Material Grade/ASTM Specification
1	<i>Body</i>	<i>17-4PH SS/A564</i>
2	<i>Seat</i>	<i>316 SS/A479</i>
3	<i>Housing</i>	<i>17-4PH SS/A564</i>
4	<i>Spring</i>	<i>300 Series SS</i>
5	<i>Valve Head</i>	<i>316 SS/A479</i>
6	<i>O-ring</i>	<i>Fluorocarbon FKM</i>
7	Retaining Ring	PTFE
8	<i>Valve Stem</i>	<i>316 SS/A479</i>
9	Ball	Stainless Steel
10	Nut	316 SS/A479
11	Wire Ring	Stainless Steel

*Wetted component listed in italics.*

### Ordering Information and Dimensions



## B-11 Quick Couplings

Type	Ordering Number	Connection	Dimensions, in. (mm)			Working Pressure psig (bar)
			A	B	D	
Coupler	HQC4P-NS4-CP	NS4	3.48 (88.5)	1.39 (35.4)	1.00 (25.4)	15,000 (1034)
	HQC4P-NS6-CP	NS6	3.48 (88.5)	1.39 (35.4)	1.00 (25.4)	15,000 (1034)
	HQC4P-NS8-CP	NS8	3.68 (93.5)	1.39 (35.4)	1.00 (25.4)	15,000 (1034)
	HQC4P-FNS4-CP	FNS4	3.17 (80.5)	1.39 (35.4)	1.00 (25.4)	15,000 (1034)
	HQC4P-FNS6-CP	FNS6	3.27 (83.0)	1.39 (35.4)	1.13 (28.6)	15,000 (1034)
	HQC4P-FNS8-CP	FNS8	3.56 (90.5)	1.39 (35.4)	1.38 (34.9)	15,000 (1034)
	HQC4P-AN4-CP	AN4	3.48 (88.5)	1.39 (35.4)	1.00 (25.4)	20,000 (1379)
	HQC4P-AN6-CP	AN6	3.48 (88.5)	1.39 (35.4)	1.00 (25.4)	20,000 (1379)
	HQC4P-AN8-CP	AN8	3.58 (91.0)	1.39 (35.4)	1.00 (25.4)	20,000 (1379)
	HQC4P-HBP4-CP	HBP4	3.37 (85.5)	1.39 (35.4)	1.00 (25.4)	20,000 (1379)
	HQC4P-HBP6-CP	HBP6	3.41 (86.5)	1.39 (35.4)	1.00 (25.4)	20,000 (1379)
	HQC4P-HBP8-CP	HBP8	3.48 (88.5)	1.39 (35.4)	1.00 (25.4)	20,000 (1379)
	HQC4P-2MP4-CP	2MP4	3.62 (92.0)	1.39 (35.4)	1.00 (25.4)	20,000 (1379)
	HQC4P-2MP6-CP	2MP6	3.76 (95.5)	1.39 (35.4)	1.00 (25.4)	20,000 (1379)
	HQC4P-2MP9-CP	2MP9	3.95 (100.5)	1.39 (35.4)	1.00 (25.4)	20,000 (1379)
	HQC4P-6MP4-CP	6MP4	3.54 (90.0)	1.39 (35.4)	1.00 (25.4)	30,000 (2068)
	HQC4P-6MP6-CP	6MP6	3.80 (96.5)	1.39 (35.4)	1.00 (25.4)	30,000 (2068)
	HQC4P-6MP9-CP	6MP9	3.98 (101.0)	1.39 (35.4)	1.19 (30.2)	30,000 (2068)
	HQC4P-HM9-CP	HM9	3.43 (87.0)	1.39 (35.4)	1.00 (25.4)	30,000 (2068)
	HQC4P-HM12-CP	HM12	3.56 (90.5)	1.39 (35.4)	1.00 (25.4)	30,000 (2068)
HQC4P-HM16-CP	HM16	3.56 (90.5)	1.39 (35.4)	1.00 (25.4)	30,000 (2068)	

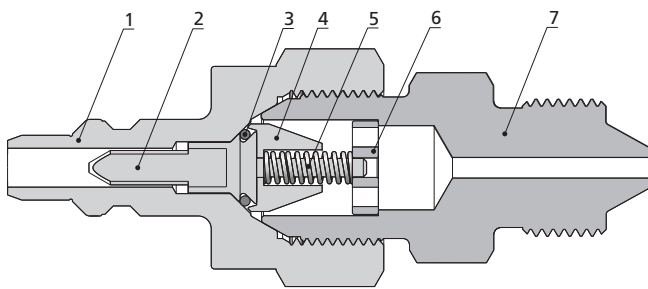
NOTE: All dimensions are for reference only and are subject to change. For dimensions not shown above, please contact FITOK Group or our authorized distributors.

# HQC Series Nipples With Check Valve

## Features

- ⦿ Working pressure up to 30,000 psig (2068 bar)
- ⦿ Fluorocarbon FKM O-ring for operation from 0°F to 400°F (-17.8°C to 204°C), other O-ring materials available
- ⦿ Push-and-pull type nipple with check valve
- ⦿ Stem material: 17-4PH Stainless Steel
- ⦿ Flow coefficient (Cv) up to 0.66
- ⦿ Withstand full working pressure when disconnected
- ⦿ Easy and quick connection to hoses and fixed ports

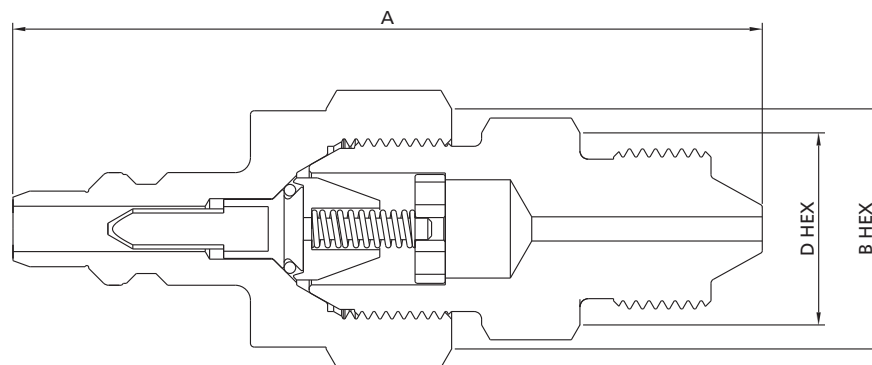
## Standard Materials of Construction



Item	Component	Material Grade/ASTM Specification
1	<i>Stem</i>	<i>17-4PH SS/A564</i>
2	<i>Valve Stem</i>	<i>316 SS/A479</i>
3	<i>O-ring</i>	<i>Fluorocarbon FKM</i>
4	<i>Valve Head</i>	<i>316 SS/A479</i>
5	<i>Spring</i>	<i>300 Series SS</i>
6	<i>Seat</i>	<i>316 SS/A479</i>
7	<i>Body</i>	<i>17-4PH/A564</i>

*Wetted component listed in italics.*

## Ordering Information and Dimensions



B-13 Quick Couplings

Type	Ordering Number	Connection	Dimensions, in. (mm)			Working Pressure psig (bar)
			A	B	D	
Nipple	HQC4P-NS4-NP	NS4	3.52 (89.5)	1.25 (31.8)	1.00 (25.4)	15,000 (1034)
	HQC4P-NS6-NP	NS6	3.52 (89.5)	1.25 (31.8)	1.00 (25.4)	15,000 (1034)
	HQC4P-NS8-NP	NS8	3.70 (94.0)	1.25 (31.8)	1.00 (25.4)	15,000 (1034)
	HQC4P-FNS4-NP	FNS4	3.19 (81.0)	1.25 (31.8)	1.00 (25.4)	15,000 (1034)
	HQC4P-FNS6-NP	FNS6	3.31 (84.0)	1.25 (31.8)	1.13 (28.6)	15,000 (1034)
	HQC4P-FNS8-NP	FNS8	3.58 (91.0)	1.25 (31.8)	1.38 (34.9)	15,000 (1034)
	HQC4P-AN4-NP	AN4	3.50 (89.0)	1.25 (31.8)	1.00 (25.4)	20,000 (1379)
	HQC4P-AN6-NP	AN6	3.50 (89.0)	1.25 (31.8)	1.00 (25.4)	20,000 (1379)
	HQC4P-AN8-NP	AN8	3.43 (92.0)	1.25 (31.8)	1.00 (25.4)	20,000 (1379)
	HQC4P-HBP4-NP	HBP4	3.39 (86.0)	1.25 (31.8)	1.00 (25.4)	20,000 (1379)
	HQC4P-HBP6-NP	HBP6	3.43 (87.0)	1.25 (31.8)	1.00 (25.4)	20,000 (1379)
	HQC4P-HBP8-NP	HBP8	3.50 (89.0)	1.25 (31.8)	1.00 (25.4)	20,000 (1379)
	HQC4P-2MP4-NP	2MP4	3.64 (92.5)	1.25 (31.8)	1.00 (25.4)	20,000 (1379)
	HQC4P-2MP6-NP	2MP6	3.78 (96.0)	1.25 (31.8)	1.00 (25.4)	20,000 (1379)
	HQC4P-2MP9-NP	2MP9	3.98 (101.0)	1.25 (31.8)	1.00 (25.4)	20,000 (1379)
	HQC4P-6MP4-NP	6MP4	3.58 (91.0)	1.25 (31.8)	1.00 (25.4)	30,000 (2068)
	HQC4P-6MP6-NP	6MP6	3.84 (97.5)	1.25 (31.8)	1.00 (25.4)	30,000 (2068)
	HQC4P-6MP9-NP	6MP9	4.00 (101.5)	1.25 (31.8)	1.19 (30.2)	30,000 (2068)
	HQC4P-HM9-NP	HM9	3.46 (88.0)	1.25 (31.8)	1.00 (25.4)	30,000 (2068)
	HQC4P-HM12-NP	HM12	3.58 (91.0)	1.25 (31.8)	1.00 (25.4)	30,000 (2068)
HQC4P-HM16-NP	HM16	3.60 (91.5)	1.25 (31.8)	1.00 (25.4)	30,000 (2068)	

NOTE: All dimensions are for reference only and are subject to change. For dimensions not shown above, please contact FITOK Group or our authorized distributors.

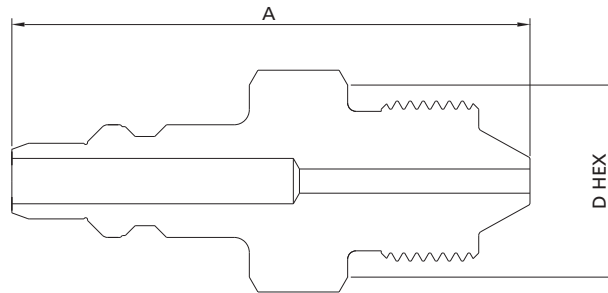
Medium & High Pressure Fittings and Tubing
Quick Couplings
Medium & High Pressure Valves
Line Filters
Sour Service Products
Subsea Valves
Tools and Installation Instructions
Technical Information

# HQC Series Nipples without Check Valve

## Features

- ⦿ Working pressure up to 30,000 psig (2068 bar)
- ⦿ Push-and-pull type nipple without check valve
- ⦿ Stem material: 17-4PH Stainless Steel
- ⦿ Flow coefficient (Cv) up to 0.66
- ⦿ Easy and quick connection to hoses and fixed ports

## Ordering Information and Dimensions



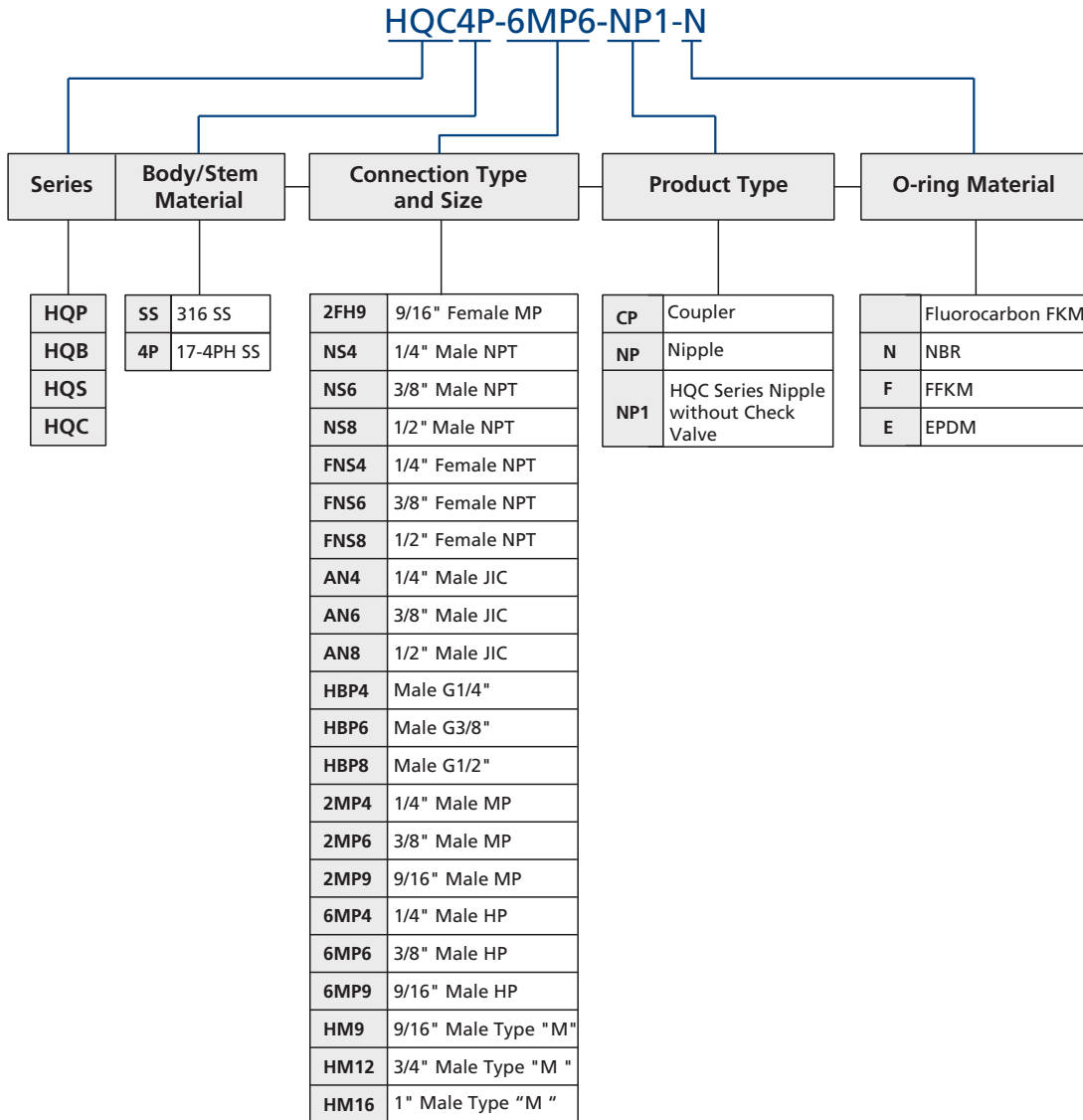
B-15 Quick Couplings

Type	Ordering Number	Connection	Dimensions, in. (mm)		Working Pressure psig (bar)
			A	D	
Nipple	HQC4P-NS4-NP1	NS4	2.25 (57.1)	1.00 (25.4)	15,000 (1034)
	HQC4P-NS6-NP1	NS6	2.25 (57.1)	1.00 (25.4)	15,000 (1034)
	HQC4P-NS8-NP1	NS8	2.44 (62.0)	1.00 (25.4)	15,000 (1034)
	HQC4P-FNS4-NP1	FNS4	2.05 (52.0)	1.00 (25.4)	15,000 (1034)
	HQC4P-FNS6-NP1	FNS6	2.09 (53.0)	1.13 (28.6)	15,000 (1034)
	HQC4P-FNS8-NP1	FNS8	2.36 (60.0)	1.38 (34.9)	15,000 (1034)
	HQC4P-AN4-NP1	AN4	2.24 (56.9)	1.00 (25.4)	20,000 (1379)
	HQC4P-AN6-NP1	AN6	2.24 (57.0)	1.00 (25.4)	20,000 (1379)
	HQC4P-AN8-NP1	AN8	2.35 (59.6)	1.00 (25.4)	20,000 (1379)
	HQC4P-HBP4-NP1	HBP4	2.12 (53.9)	1.00 (25.4)	20,000 (1379)
	HQC4P-HBP6-NP1	HBP6	2.16 (54.9)	1.00 (25.4)	20,000 (1379)
	HQC4P-HBP8-NP1	HBP8	2.24 (56.9)	1.00 (25.4)	20,000 (1379)
	HQC4P-2MP4-NP1	2MP4	2.37 (60.3)	1.00 (25.4)	20,000 (1379)
	HQC4P-2MP6-NP1	2MP6	2.52 (64.0)	1.00 (25.4)	20,000 (1379)
	HQC4P-2MP9-NP1	2MP9	2.69 (68.3)	1.00 (25.4)	20,000 (1379)
	HQC4P-6MP4-NP1	6MP4	2.31 (58.7)	1.00 (25.4)	30,000 (2068)
	HQC4P-6MP6-NP1	6MP6	2.56 (65.1)	1.00 (25.4)	30,000 (2068)
	HQC4P-6MP9-NP1	6MP9	2.81 (71.4)	1.19 (30.2)	30,000 (2068)
	HQC4P-HM9-NP1	HM9	2.19 (55.6)	1.00 (25.4)	30,000 (2068)
	HQC4P-HM12-NP1	HM12	2.32 (58.9)	1.00 (25.4)	30,000 (2068)
HQC4P-HM16-NP1	HM16	2.33 (59.2)	1.00 (25.4)	30,000 (2068)	

NOTE: All dimensions are for reference only and are subject to change. For dimensions not shown above, please contact FITOK Group or our authorized distributors.

Medium & High Pressure Fittings and Tubing
Quick Couplings
Medium & High Pressure Valves
Line Filters
Sour Service Products
Subsea Valves
Tools and Installation Instructions
Technical Information

# Ordering Number Description



NOTE: "Ordering Number Description" is a reference to understand the combination rules of FITOK Product Part Number. Not all combinations are available.

Code	O-ring Material	Working Temperature Range, °F (°C)
	Fluorocarbon FKM	0 to 400 (-17.8 to 204)
N	NBR	-10 to 250 (-23 to 121)
F	FFKM	-20 to 550 (-29 to 288)
E	EPDM	-50 to 300 (-45 to 148)

Medium & High Pressure Fittings and Tubing

Quick Couplings

Medium & High Pressure Valves

Line Filters

Sour Service Products

Subsea Valves

Tools and Installation Instructions

Technical Information

## **FITOK Group**

### **FITOK GmbH (Headquarter)**

Sprendlinger Landstr. 115, 63069 Offenbach am Main, Germany  
Tel.: +49 69 8900 4498 Fax: +49 69 8900 4495

### **FITOK, Inc.**

13843 North Promenade Blvd., Suite 750, Stafford, Texas 77477, USA  
Tel.: +1 281 888 0077 Fax: +1 281 582 4051

### **FITOK Incorporated**

Block C, Zone E, Yingtai Industrial Park, Dalang Street,  
Longhua New District, Shenzhen, 518109, China  
Tel.: +86 755 2803 2500 Fax: +86 755 2803 2619

### **FITOK Middle East Oil Equipment Trading LLC**

208-209, Makateb Building, Airport Road, P.O.Box 185412, Deira, Dubai, UAE  
Tel.: +971 4 2959 853 Fax: +971 4 2959 854

[info@fitokgroup.com](mailto:info@fitokgroup.com)  
[www.fitokgroup.com](http://www.fitokgroup.com)

FK-IC-HV-06-EN-171215