

Metering Valves

15M Series, 15,000 psig (1034 bar)

30M Series, 30,000 psig (2068 bar)

60M Series, 60,000 psig (4137 bar)



Medium & High Pressure
Fittings and Tubing

Quick Couplings

Medium & High Pressure
Valves

Line Filters

Sour Service Products

Subsea Valves

Tools and Installation
Instructions

Technical Information

Contents

Features	C-65
Technical Data	C-65
Flow Data at 100°F (38°C)	C-65
Pressure vs. Temperature Curve	C-65
Standard Materials of Construction	C-66
Ordering Information and Dimensions	C-67
Ordering Number Description	C-67

Medium & High Pressure
Fittings and Tubing

Quick Couplings

Medium & High Pressure
Valves

Line Filters

Sour Service Products

Subsea Valves

Tools and Installation
Instructions

Technical Information

Features

- Precisely tapered valve stem accurately controls flow for gases and liquids
- The design of Barrel and Thimble micrometer permits repeatable settings
 - Each division of barrel equals to 0.025"
 - Thimble is divided into 25 divisions, each division of thimble equals to 0.001" stem travel
 - One revolution equals to valve stem 0.025" travel
- Valve body made of high tensile 316 stainless steel for maximum wear and corrosion resistance
- Packing located under stem threads
- Reliable locking device for packing gland
- Not intended as shut-off valves. Install a correlated shutoff valve when shut-off is required
- Minimum flow rate set at "0" position, and operation below "0" position not allowed

Technical Data

Series	Tube O.D. in.	Connection	Orifice in. (mm)	Cv	Working Pressure psig (bar)
15M	1/8	DHL2	0.062 (1.57)	0.04	15,000 (1034)
15M	1/4	DHL4	0.062 (1.57)	0.04	15,000 (1034)
30M	1/4	6FH4	0.062 (1.57)	0.04	30,000 (2068)
60M	1/4	6FH4	0.062 (1.57)	0.04	60,000 (4137)
60M	3/8	6FH6	0.062 (1.57)	0.04	60,000 (4137)

Packing Options:

Nylon is the standard packing material for 60M series, PTFE for other series. RPTFE is available for all series.

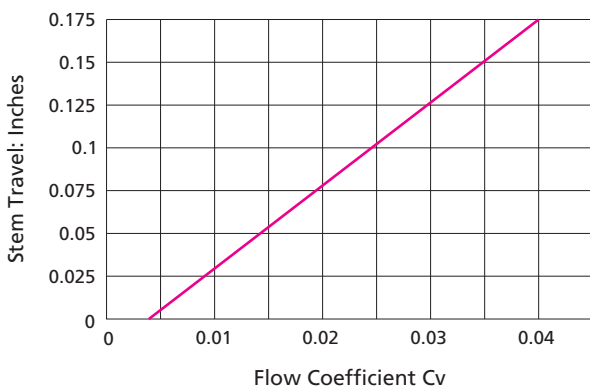
Nylon: 40°F~230°F (4.4°C~110°C).

PTFE: -100°F~450°F (-73°C~232°C).

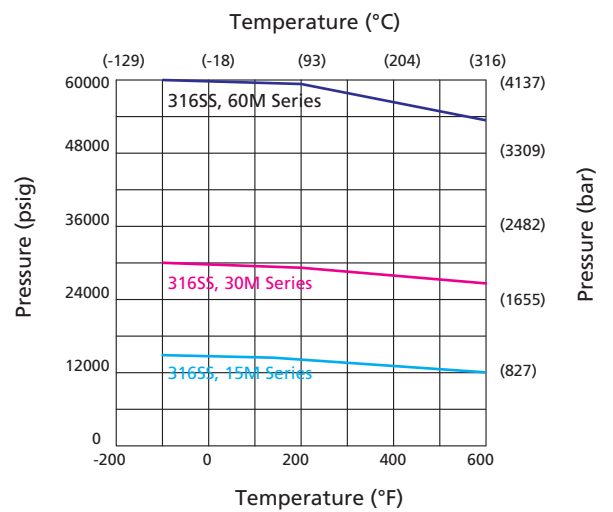
RPTFE glass: -100°F~600°F (-73°C~316°C).

Graphite: 0°F~800°F (-17.8°C~427°C).

Flow Data at 100°F (38°C)

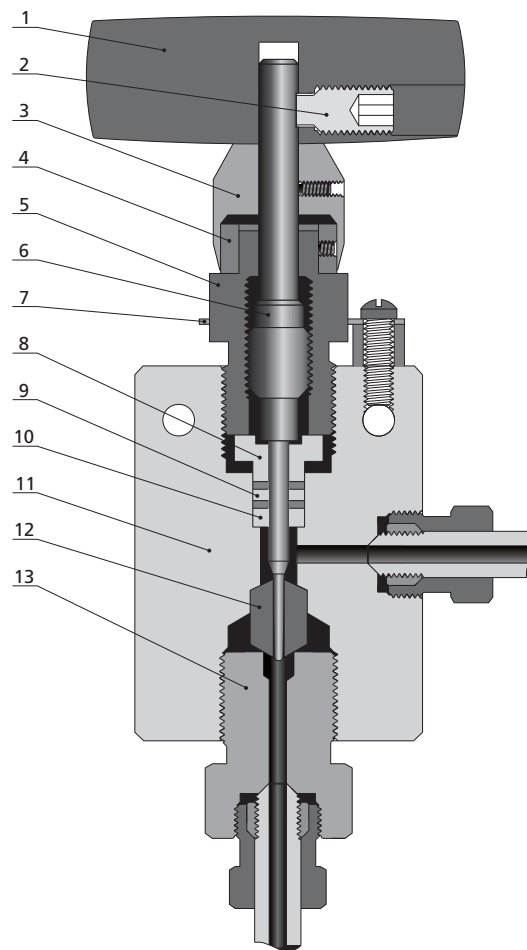


Pressure vs. Temperature Curve



Medium & High Pressure Fittings and Tubing
 Quick Couplings
 Medium & High Pressure Valves
 Line Filters
 Sour Service Products
 Subsea Valves
 Tools and Installation Instructions
 Technical Information

Standard Materials of Construction



Item	Component	Material Grade/ASTM Specification
1	Handle	Stainless steel
2	Handle Screw	Stainless steel
3	Thimble	304 SS/A479
4	Barrel	304 SS/A479
5	Packing Bolt	C63000/B150
6	<i>Stem</i>	<i>17-4PH/A564</i>
7	Locking Plate	304 SS/A240
8	Packing Gland	C63000/B150
9	<i>Packing</i>	<i>PTFE/RPTFE/Nylon</i>
10	<i>Packing Washer</i>	<i>17-4PH/A564</i>
11	<i>Body</i>	<i>316 SS/A479</i>
12	<i>Seat</i>	<i>17-4PH/A564</i>
13	<i>Seat Gland</i>	<i>316 SS/A479</i>
	Lubricant	Molybdenum Disulfide/Fluorinated-based

Wetted components listed in italics.

Medium & High Pressure
Fittings and Tubing

Quick Couplings

Medium & High Pressure
Valves

Line Filters

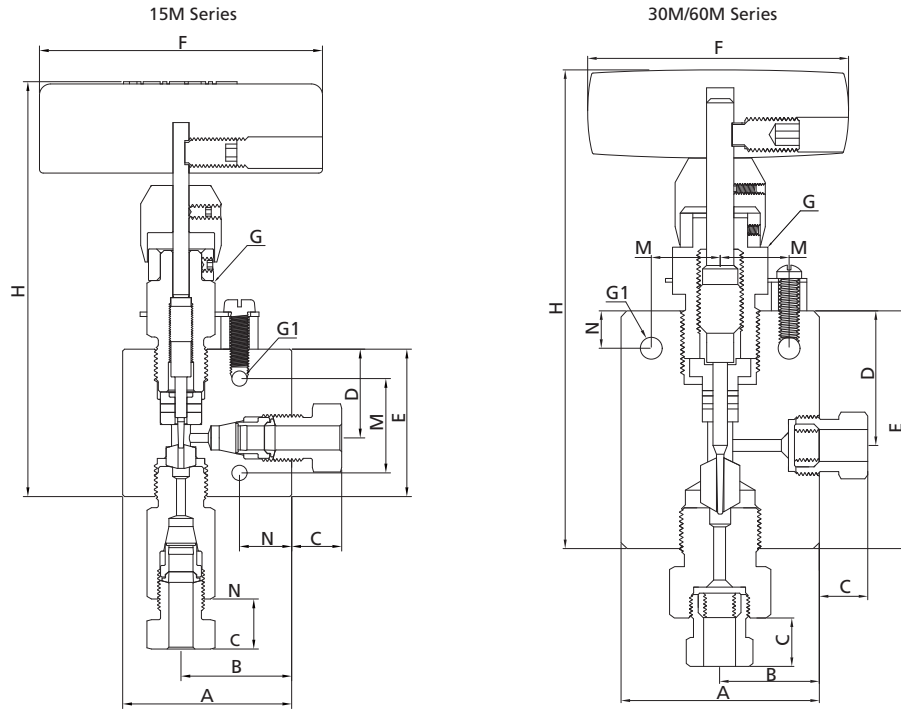
Sour Service Products

Subsea Valves

Tools and Installation
Instructions

Technical Information

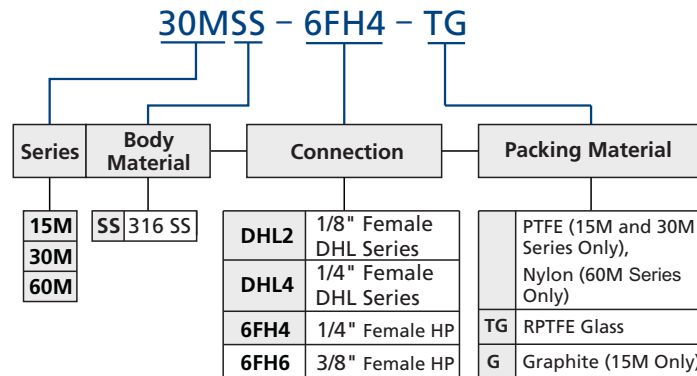
Ordering Information and Dimensions



Ordering Number	Connection	Orifice in. (mm)	Dimensions, in. (mm)											
			A	B	C	D	E	F	G	G1	H	M	N	Thickness
15MSS-DHL2	DHL2	0.062 (1.57)	1.79 (45.5)	1.17 (29.8)	0.44 (11.2)	0.94 (23.8)	1.56 (39.6)	3.00 (76.2)	0.87 (22.1)	0.16 (4.1)	5.06 (128.5)	1.00 (25.4)	0.55 (14.1)	0.75 (19.1)
15MSS-DHL4	DHL4	0.062 (1.57)	1.79 (45.5)	1.17 (29.8)	0.53 (13.5)	0.94 (23.8)	1.56 (39.6)	3.00 (76.2)	0.87 (22.1)	0.16 (4.1)	5.06 (128.5)	1.00 (25.4)	0.55 (14.1)	0.75 (19.1)
30MSS-6FH4	6FH4	0.062 (1.57)	2.00 (50.8)	1.00 (25.4)	0.50 (12.7)	1.12 (28.5)	2.00 (50.8)	3.00 (76.2)	0.97 (24.6)	0.22 (5.6)	5.06 (128.5)	0.69 (17.3)	0.50 (12.7)	1.00 (25.4)
60MSS-6FH4	6FH4	0.062 (1.57)	2.00 (50.8)	1.00 (25.4)	0.50 (12.7)	1.31 (33.3)	2.63 (66.8)	3.00 (76.2)	0.97 (24.6)	0.22 (5.6)	6.00 (152.4)	0.69 (17.3)	0.38 (9.7)	1.00 (25.4)
60MSS-6FH6	6FH6	0.062 (1.57)	2.00 (50.8)	1.00 (25.4)	0.53 (13.5)	1.31 (33.3)	2.63 (66.8)	3.00 (76.2)	0.97 (24.6)	0.22 (5.6)	6.06 (153.9)	0.69 (17.3)	0.38 (9.7)	1.00 (25.4)

- NOTES: 1. G is the drill dimension of packing bolt mounting hole.
 2. G1 is the dimension of bracket mounting hole.
 3. Panel mounting drill size: 0.25" all valves.
 4. H is the dimension when stem is in "0" position.
 5. All dimensions are for reference only and are subject to change. For dimensions not shown above, please contact the FITOK Group or our authorized distributors.

Ordering Number Description



NOTE: "Ordering Number Description" is a reference to understand the combination rules of FITOK product part number. Not all combinations are available.

Medium & High Pressure Fittings and Tubing
 Quick Couplings
 Medium & High Pressure Valves
 Line Filters
 Sour Service Products
 Subsea Valves
 Tools and Installation Instructions
 Technical Information

FITOK Group

FITOK GmbH (Headquarter)

Sprendlinger Landstr. 115, 63069 Offenbach am Main, Germany
Tel.: +49 69 8900 4498 Fax: +49 69 8900 4495

FITOK, Inc.

13843 North Promenade Blvd., Suite 750, Stafford, Texas 77477, USA
Tel.: +1 281 888 0077 Fax: +1 281 582 4051

FITOK Incorporated

1-4F, Block C, Zone E, Yingtailong Industrial Park, Dalang Street,
Longhua District, Shenzhen, 518109, China
Tel.: +86 755 2803 2500 Fax: +86 755 2803 2619

FITOK Middle East Oil Equipment Trading LLC

208-209, Makateb Tower, Airport Road, P.O.Box 185412, Deira, Dubai, UAE
Tel.: +971 4 2959 853 Fax: +971 4 2959 854

info@fitokgroup.com
www.fitokgroup.com

FK-IC-HV-04-EN-170505