

# Needle Valves and Pneumatic Needle Valves

- 10N Series, 10,000 psig (690 bar)
- 15N Series, 15,000 psig (1034 bar)
- 20N Series, 20,000 psig (1379 bar)
- 30N Series, 30,000 psig (2068 bar)
- 60N Series, 60,000 psig (4137 bar)



Medium & High Pressure Fittings and Tubing
Quick Couplings
Medium & High Pressure Valves
Line Filters
Sour Service Products
Subsea Valves
Tools and Installation Instructions
Technical Information

# Contents

## Needle Valves

### 10N Series

10,000 psig (690 bar) C-13

---

### 15N Series

15,000 psig (1034 bar) C-19

---

### 20N Series

20,000 psig (1379 bar) C-26

---

### 30N Series

30,000 psig (2068 bar) C-31

---

### 60N Series

60,000 psig (4137 bar) C-35

---

## Pneumatic Needle Valves

### Piston Style Pneumatic Needle Valves

Air to Open (Normally Closed) C-39

---

### Piston Style Pneumatic Needle Valves

Air to Close (Normally Open) C-45

---

## Ordering Number Description

C-49

---

Medium & High Pressure  
Fittings and Tubing

Quick Couplings

Medium & High Pressure  
Valves

Line Filters

Sour Service Products

Subsea Valves

Tools and Installation  
Instructions

Technical Information

# Needle Valves

## 10N Series

### 10,000 psig (690 bar)

### Features

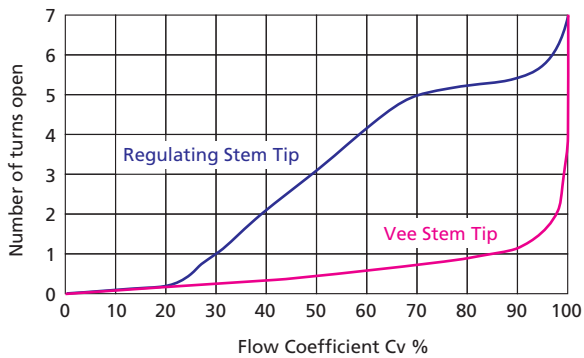
- ⦿ High tensile 316 Stainless Steel for the valve body and 17-4PH Stainless Steel for lower stem
- ⦿ Selected materials of packing gland and upper stem for optimum thread cycle life and reduced handle torque
- ⦿ Metal-to-metal seating to achieve ideal shutoff, longer stem/seat service lifetime for abrasive flow, excellent corrosion resistance and greater durability for repeated on/off cycles
- ⦿ Non-rotating stem and bar stock body design
- ⦿ Easy to assemble and replace packing
- ⦿ Packing located under stem threads
- ⦿ Reliable locking device for packing gland
- ⦿ Options for Vee or Regulating stem tips
- ⦿ Five flow patterns available

### Technical Data

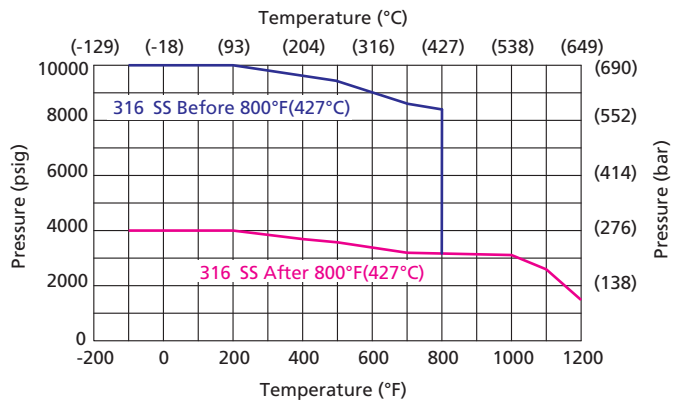
Connection Size	Connection	Orifice in. (mm)	Cv	Working Pressure psig (bar)	Working Temperature Range
9/16" O.D. Tubing	2FH9	0.359 (9.12)	1.75	10,000 (690)	-100°F~1200°F (-73°C~649°C)
3/4" O.D. Tubing	2FH12	0.516 (13.10)	2.80	10,000 (690)	
1" O.D. Tubing	2FH16	0.688 (17.48)	5.20	10,000 (690)	
3/4" Female NPT	FNS12	0.437 (11.10)	2.50	10,000 (690)	-100°F~400°F (-73°C~204°C)
3/4" Female ISO/BSP Tapered	FRT12				
1" Female NPT	FNS16	0.562 (14.27)	4.40	10,000 (690)	
1" Female ISO/BSP Tapered	FRT16				

- NOTES: 1. The values of Cv shown are for 2-way straight valve pattern.  
 2. The values of Cv for 2-way angle pattern will increase by about 50% (Based on water).  
 3. Packing Options  
 PTFE is the standard packing material, RPTFE glass, Graphite and extended stuffing box with Graphite also available. Graphite packing not recommended for Hydrogen or Helium service.  
 PTFE: -100°F~450°F (-73°C~232°C)  
 RPTFE glass: -100°F~600°F (-73°C~316°C)  
 Graphite: 0°F~800°F (-17.8°C~427°C)  
 Extended stuffing box with Graphite: -100°F~1000°F (-73°C~649°C)

## Flow Data at 100°F (38°C)

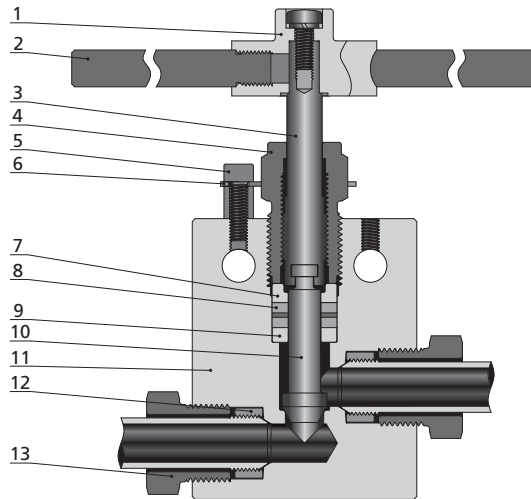


## Pressure vs. Temperature Curve



NOTE: When temperature exceeds 800°F (427°C), use the pink curve as its cold-worked rating for future operating of the components.

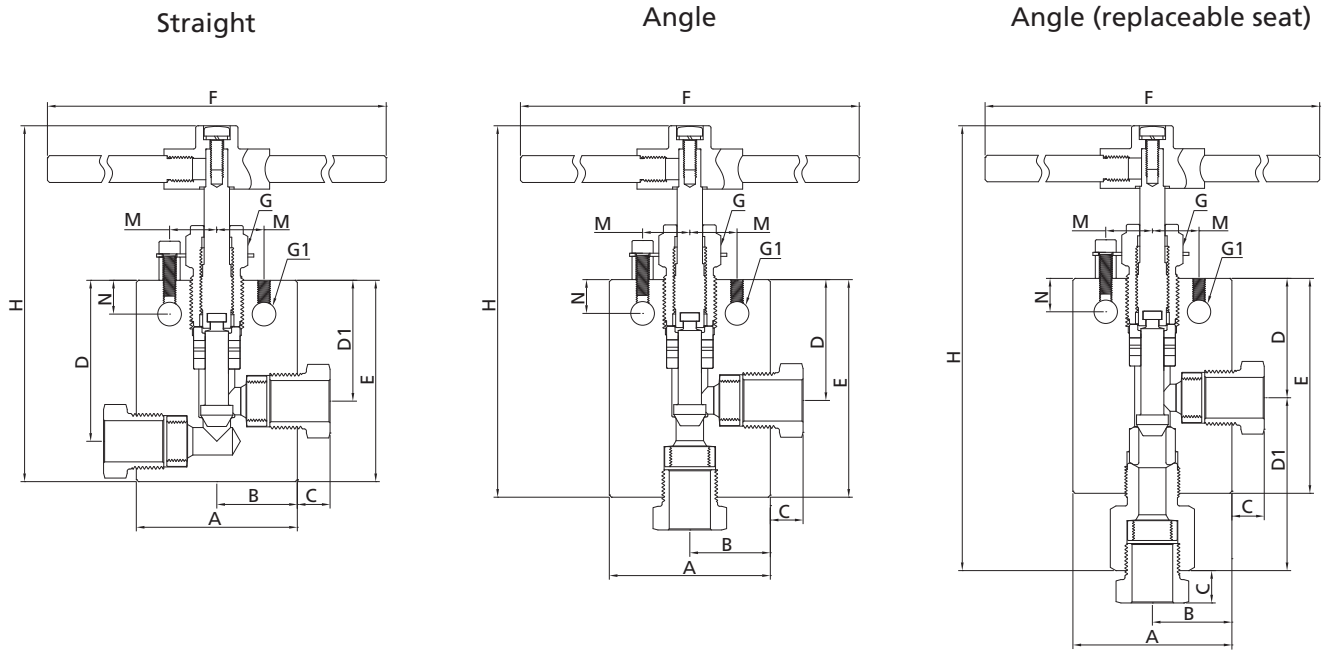
## Standard Materials of Construction



Item	Component	Material Grade/ASTM Specification
1	Handle Head	Stainless steel
2	Handle	Stainless steel
3	Upper Stem	316 SS/A479
4	Packing Gland	C63000/B150
5	Locking Screw	Stainless steel
6	Locking Plate	304 SS/A240
7	Packing Ring	C63000/B150
8	<i>Packing</i>	<i>PTFE/RPTFE glass/Graphite/Extended stuffing box with Graphite</i>
9	<i>Packing Washer</i>	<i>17-4PH SS/A564</i>
10	<i>Lower Stem</i>	<i>17-4PH SS/A564</i>
11	<i>Body</i>	<i>316 SS/A479</i>
12	Collar	316 SS/A479 (For tubing connections)
13	Gland	316 SS/A479 (For tubing connections)
	Lubricant	Molybdenum disulfide

Wetted component listed in italics.

## Ordering Information and Dimensions (Tubing Connection, 2-Way)



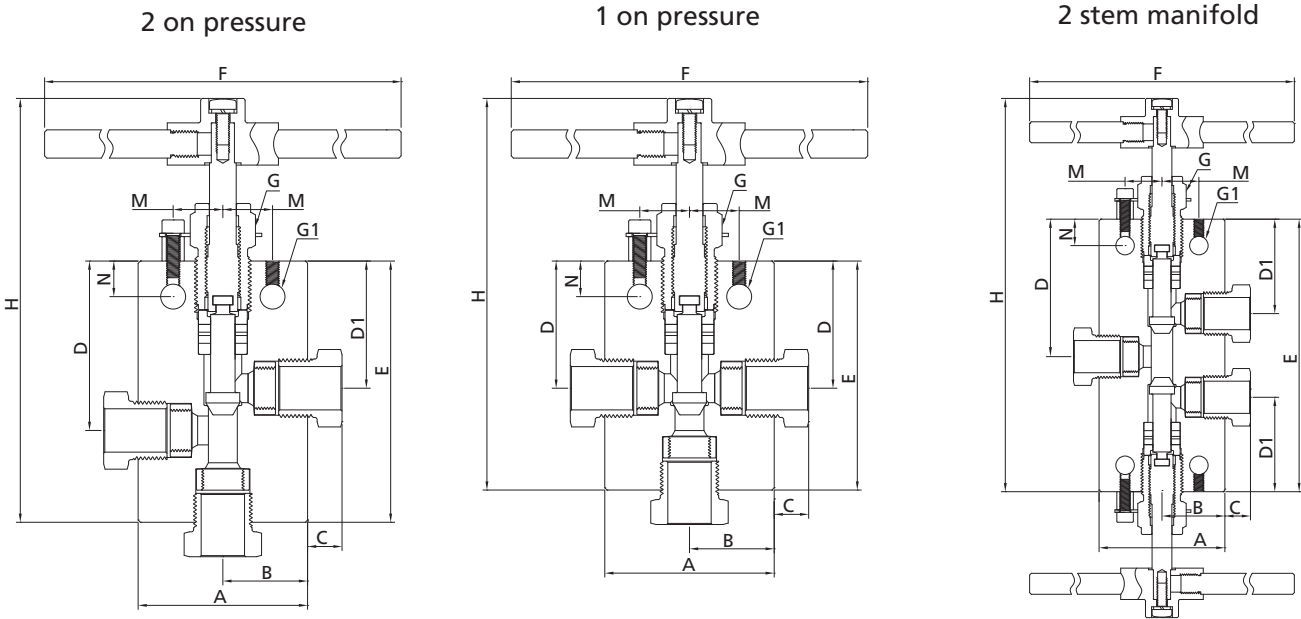
Straight															
Ordering Number	Connection	Orifice in. (mm)	Dimensions, in. (mm)												
			A	B	C	D	D1	E	F	G	G1	H	M	N	Thickness
10NSS-2FH9-1	2FH9	0.359 (9.12)	2.50 (63.5)	1.25 (31.8)	0.55 (14.0)	2.38 (60.5)	1.75 (44.5)	2.88 (73.2)	4.00 (101.6)	1.00 (25.4)	0.34 (8.6)	6.20 (157.4)	0.69 (17.5)	0.50 (12.7)	1.00 (25.4)
10NSS-2FH12-1	2FH12	0.516 (13.11)	3.00 (76.2)	1.50 (38.1)	0.60 (15.2)	3.00 (76.2)	2.25 (57.2)	3.75 (95.3)	10.25 (260.4)	1.19 (30.2)	0.44 (11.2)	7.24 (183.8)	0.88 (22.4)	0.63 (16.0)	1.38 (35.1)
10NSS-2FH16-1	2FH16	0.688 (17.48)	4.12 (104.7)	2.06 (52.3)	0.74 (18.7)	3.75 (95.3)	2.81 (71.4)	4.63 (117.6)	10.25 (260.4)	1.62 (41.2)	0.56 (14.2)	9.33 (237.1)	1.25 (31.8)	1.13 (28.7)	1.75 (44.5)

Angle															
Ordering Number	Connection	Orifice in. (mm)	Dimensions, in. (mm)												
			A	B	C	D	D1	E	F	G	G1	H	M	N	Thickness
10NSS-2FH9-2	2FH9	0.359 (9.12)	2.50 (63.5)	1.25 (31.8)	0.55 (14.0)	1.75 (44.5)	/	3.38 (85.9)	4.00 (101.6)	1.00 (25.4)	0.34 (8.6)	6.70 (170.3)	0.69 (17.5)	0.50 (12.7)	1.00 (25.4)
10NSS-2FH12-2	2FH12	0.516 (13.11)	3.00 (76.2)	1.50 (38.1)	0.60 (15.2)	2.25 (57.2)	/	4.25 (107.9)	10.25 (260.4)	1.19 (30.2)	0.44 (11.2)	7.73 (196.4)	0.88 (22.4)	0.63 (16.0)	1.38 (35.1)
10NSS-2FH16-2	2FH16	0.688 (17.48)	4.12 (104.7)	2.06 (52.3)	0.74 (18.7)	2.81 (71.4)	/	5.12 (130.1)	10.25 (260.4)	1.62 (41.2)	0.56 (14.2)	9.83 (249.7)	1.25 (31.8)	1.13 (28.7)	1.75 (44.5)

Angle (replaceable seat)															
Ordering Number	Connection	Orifice in. (mm)	Dimensions, in. (mm)												
			A	B	C	D	D1	E	F	G	G1	H	M	N	Thickness
10NSS-2FH9-3	2FH9	0.359 (9.12)	2.50 (63.5)	1.25 (31.8)	0.55 (14.0)	1.75 (44.5)	2.50 (63.5)	3.38 (85.9)	4.00 (101.6)	1.00 (25.4)	0.34 (8.6)	7.57 (192.4)	0.69 (17.5)	0.50 (12.7)	1.00 (25.4)
10NSS-2FH12-3	2FH12	0.516 (13.11)	3.00 (76.2)	1.50 (38.1)	0.60 (15.2)	2.25 (57.2)	3.19 (81.1)	4.25 (107.9)	10.25 (260.4)	1.19 (30.2)	0.44 (11.2)	8.92 (226.8)	0.88 (22.4)	0.63 (16.0)	1.38 (35.1)
10NSS-2FH16-3	2FH16	0.688 (17.48)	4.12 (104.7)	2.06 (52.3)	0.74 (18.7)	2.81 (71.4)	4.11 (104.5)	5.25 (133.3)	10.25 (260.4)	1.62 (41.2)	0.56 (14.2)	11.62 (295.4)	1.25 (31.8)	1.13 (28.7)	1.75 (44.5)

Medium & High Pressure Fittings and Tubing  
Quick Couplings  
Medium & High Pressure Valves  
Line Filters  
Sour Service Products  
Subsea Valves  
Tools and Installation Instructions  
Technical Information

## Ordering Information and Dimensions (Tubing Connection, 3-Way)

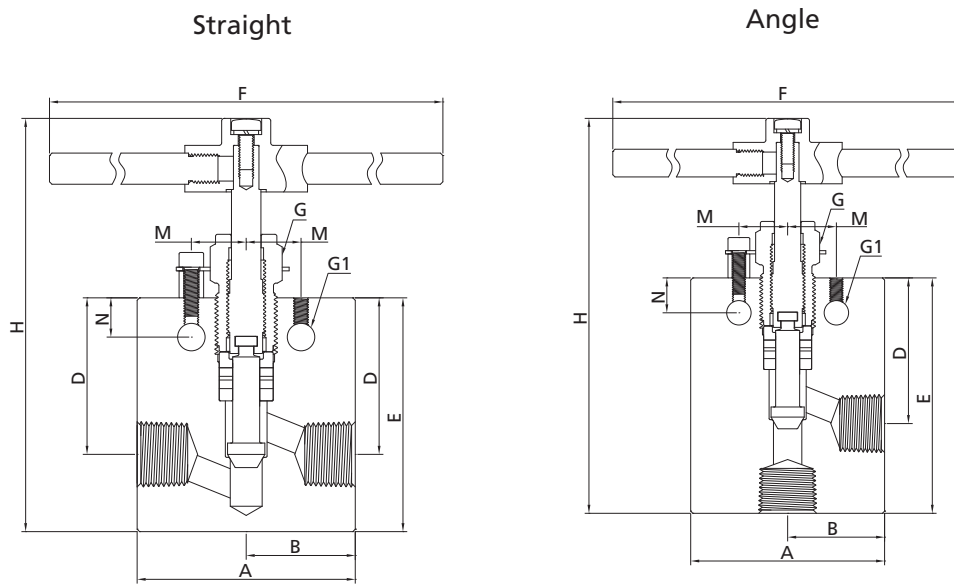


2 on pressure															
Ordering Number	Connection	Orifice in. (mm)	Dimensions, in. (mm)												
			A	B	C	D	D1	E	F	G	G1	H	M	N	Thickness
10NSS-2FH9-4	2FH9	0.359 (9.12)	2.50 (63.5)	1.25 (31.8)	0.55 (14.0)	2.38 (60.5)	1.75 (44.5)	3.63 (92.1)	4.00 (101.6)	1.00 (25.4)	0.34 (8.6)	6.95 (176.5)	0.69 (17.5)	0.50 (12.7)	1.00 (25.4)
10NSS-2FH12-4	2FH12	0.516 (13.11)	3.00 (76.2)	1.50 (38.1)	0.60 (15.2)	3.00 (76.2)	2.25 (57.2)	4.63 (117.5)	10.25 (260.4)	1.19 (30.2)	0.44 (11.2)	8.11 (206.0)	0.88 (22.4)	0.63 (16.0)	1.38 (35.1)
10NSS-2FH16-4	2FH16	0.688 (17.48)	4.12 (104.7)	2.06 (52.3)	0.74 (18.7)	3.75 (95.3)	2.81 (71.4)	5.88 (149.4)	10.25 (260.4)	1.62 (41.2)	0.56 (14.2)	10.58 (268.7)	1.25 (31.8)	1.13 (28.7)	1.75 (44.5)

1 on pressure															
Ordering Number	Connection	Orifice in. (mm)	Dimensions, in. (mm)												
			A	B	C	D	D1	E	F	G	G1	H	M	N	Thickness
10NSS-2FH9-5	2FH9	0.359 (9.12)	2.50 (63.5)	1.25 (31.8)	0.55 (14.0)	1.75 (44.5)	/	3.38 (85.9)	4.00 (101.6)	1.00 (25.4)	0.34 (8.6)	6.70 (170.3)	0.69 (17.5)	0.50 (12.7)	1.00 (25.4)
10NSS-2FH12-5	2FH12	0.516 (13.11)	3.00 (76.2)	1.50 (38.1)	0.60 (15.2)	2.25 (57.2)	/	4.25 (107.9)	10.25 (260.4)	1.19 (30.2)	0.44 (11.2)	7.73 (196.4)	0.88 (22.4)	0.63 (16.0)	1.38 (35.1)
10NSS-2FH16-5	2FH16	0.688 (17.48)	4.12 (104.7)	2.06 (52.3)	0.74 (18.7)	2.81 (71.4)	/	5.12 (130.1)	10.25 (260.4)	1.62 (41.2)	0.56 (14.2)	9.83 (249.7)	1.25 (31.8)	1.13 (28.7)	1.75 (44.5)

2 stem manifold															
Ordering Number	Connection	Orifice in. (mm)	Dimensions, in. (mm)												
			A	B	C	D	D1	E	F	G	G1	H	M	N	Thickness
10NSS-2FH9-6	2FH9	0.359 (9.12)	2.50 (63.5)	1.25 (31.8)	0.55 (14.0)	2.56 (65.1)	1.75 (44.5)	5.13 (130.2)	4.00 (101.6)	1.00 (25.4)	0.34 (8.6)	8.45 (214.6)	0.69 (17.5)	0.50 (12.7)	1.00 (25.4)
10NSS-2FH12-6	2FH12	0.516 (13.11)	3.00 (76.2)	1.50 (38.1)	0.60 (15.2)	3.25 (82.6)	2.25 (57.2)	6.50 (165.1)	10.25 (260.4)	1.19 (30.2)	0.44 (11.2)	9.98 (253.5)	0.88 (22.4)	0.63 (16.0)	1.38 (35.1)
10NSS-2FH16-6	2FH16	0.688 (17.48)	4.12 (104.7)	2.06 (52.3)	0.74 (18.7)	3.75 (95.3)	2.81 (71.4)	7.50 (190.5)	10.25 (260.4)	1.62 (41.2)	0.56 (14.2)	12.20 (310.1)	1.25 (31.8)	1.13 (28.7)	1.75 (44.5)

## Ordering Information and Dimensions (Pipe Connection, 2-Way)

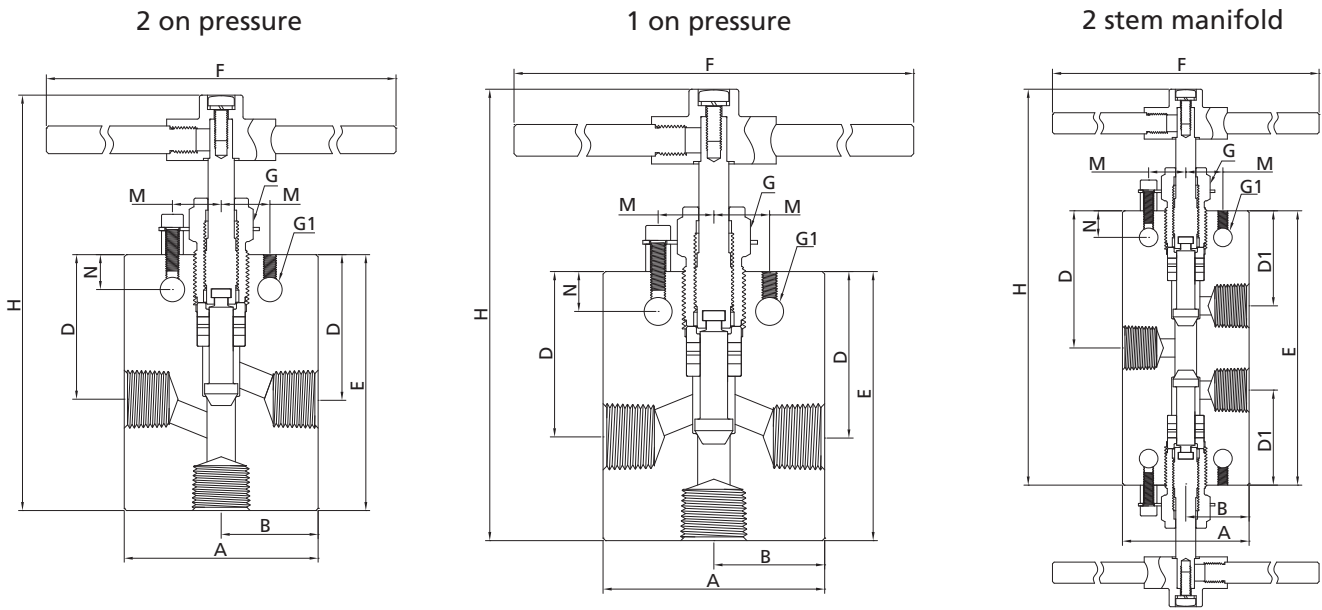


Straight															
Ordering Number	Connection	Orifice in. (mm)	Dimensions, in. (mm)												
			A	B	C	D	D1	E	F	G	G1	H	M	N	Thickness
10NSS-FNS12-1	FNS12	0.437 (11.10)	3.50 (88.9)	1.75 (44.5)	/	2.63 (66.8)	/	3.75 (95.3)	10.25 (260.4)	1.19 (30.2)	0.44 (11.2)	7.42 (188.6)	0.88 (22.4)	0.63 (16.0)	1.75 (44.5)
10NSS-FRT12-1	FRT12														
10NSS-FNS16-1	FNS16	0.562 (14.27)	4.12 (104.7)	2.06 (52.3)	/	3.31 (84.1)	/	4.62 (117.4)	10.25 (260.4)	1.62 (41.2)	0.56 (14.2)	9.45 (240.1)	1.25 (31.8)	1.13 (28.7)	1.75 (44.5)
10NSS-FRT16-1	FRT16														

Angle															
Ordering Number	Connection	Orifice in. (mm)	Dimensions, in. (mm)												
			A	B	C	D	D1	E	F	G	G1	H	M	N	Thickness
10NSS-FNS12-2	FNS12	0.437 (11.10)	3.50 (88.9)	1.75 (44.5)	/	2.63 (66.8)	/	4.25 (107.9)	10.25 (260.4)	1.19 (30.2)	0.44 (11.2)	7.92 (201.3)	0.88 (22.4)	0.63 (16.0)	1.75 (44.5)
10NSS-FRT12-2	FRT12														
10NSS-FNS16-2	FNS16	0.562 (14.27)	4.12 (104.7)	2.06 (52.3)	/	3.31 (84.1)	/	5.12 (130.1)	10.25 (260.4)	1.64 (41.2)	0.56 (14.2)	9.94 (252.5)	1.25 (31.8)	1.13 (28.7)	1.75 (44.5)
10NSS-FRT16-2	FRT16														

Medium & High Pressure Fittings and Tubing  
Quick Couplings  
Medium & High Pressure Valves  
Line Filters  
Sour Service Products  
Subsea Valves  
Tools and Installation Instructions  
Technical Information

## Ordering Information and Dimensions (Pipe Connection, 3-Way)



2 on pressure		Orifice in. (mm)	Dimensions, in. (mm)												
Ordering Number	Connection		A	B	C	D	D1	E	F	G	G1	H	M	N	Thickness
10NSS-FNS12-4	FNS12	0.437 (11.10)	3.50 (88.9)	1.75 (44.5)	/	2.65 (67.3)	/	4.62 (117.4)	10.25 (260.4)	1.19 (30.2)	0.44 (11.2)	8.40 (213.4)	0.88 (22.4)	0.63 (16.0)	1.75 (44.5)
10NSS-FRT12-4	FRT12														
10NSS-FNS16-4	FNS16	0.562 (14.27)	4.12 (104.7)	2.06 (52.3)	/	3.31 (84.1)	/	5.88 (149.4)	10.25 (260.4)	1.64 (41.2)	0.56 (14.2)	10.70 (271.7)	1.25 (31.8)	1.13 (28.7)	1.75 (44.5)
10NSS-FRT16-4	FRT16														

1 on pressure		Orifice in. (mm)	Dimensions, in. (mm)												
Ordering Number	Connection		A	B	C	D	D1	E	F	G	G1	H	M	N	Thickness
10NSS-FNS12-5	FNS12	0.437 (11.10)	3.50 (88.9)	1.75 (44.5)	/	2.65 (67.3)	/	4.25 (107.9)	10.25 (260.4)	1.19 (30.2)	0.44 (11.2)	7.92 (201.3)	0.88 (22.4)	0.63 (16.0)	1.75 (44.5)
10NSS-FRT12-5	FRT12														
10NSS-FNS16-5	FNS16	0.562 (14.27)	4.12 (104.7)	2.06 (52.3)	/	3.31 (84.1)	/	5.12 (130.1)	10.25 (260.4)	1.62 (41.2)	0.56 (14.2)	9.94 (252.5)	1.25 (31.8)	1.13 (28.7)	1.75 (44.5)
10NSS-FRT16-5	FRT16														

2 stem manifold		Orifice in. (mm)	Dimensions, in. (mm)												
Ordering Number	Connection		A	B	C	D	D1	E	F	G	G1	H	M	N	Thickness
10NSS-FNS12-6	FNS12	0.437 (11.10)	3.50 (88.9)	1.75 (44.5)	/	3.25 (82.6)	2.25 (57.2)	6.50 (165.1)	10.25 (260.4)	1.19 (30.2)	0.44 (11.2)	10.28 (261.2)	0.88 (22.4)	0.63 (16.0)	1.75 (44.5)
10NSS-FRT12-6	FRT12														
10NSS-FNS16-6	FNS16	0.562 (14.27)	4.12 (104.7)	2.06 (52.3)	/	3.75 (95.3)	2.81 (71.42)	7.50 (190.5)	10.25 (260.4)	1.62 (41.2)	0.56 (14.2)	12.32 (313.0)	1.25 (31.8)	1.13 (28.7)	1.75 (44.5)
10NSS-FRT16-6	FRT16														

- NOTES: 1. G is the drill dimension of packing gland mounting hole.  
 2. G1 is the dimension of bracket mounting hole.  
 3. Panel mounting drill size: 0.25" all valves.  
 4. H is the dimension of stem in closed position.  
 5. All dimensions for reference only and subject to change. For dimensions not shown above, please contact the FITOK group or our authorized distributors.



# 15N Series

## 15,000 psig (1034 bar)

### Features

- ⊙ High tensile 316 Stainless Steel for valve body and 17-4PH Stainless Steel for lower stem
- ⊙ Selected materials of packing gland and upper stem for optimum thread cycle life and reduced handle torque
- ⊙ Metal-to-metal seating achieves ideal shutoff, longer stem/seat service lifetime for abrasive flow, excellent corrosion resistance and greater durability for repeated on/off cycles
- ⊙ Non-rotating stem and bar stock body design
- ⊙ Easy to assemble and replace packing
- ⊙ Packing located under stem threads
- ⊙ Reliable locking for packing gland
- ⊙ Options for Vee or Regulating stem tips
- ⊙ Five flow patterns available

### Technical Data

Connection Size	Connection	Orifice in. (mm)	Cv	Working Pressure psig (bar)	Working Temperature Range
1/8" O.D. Tubing	DHL2	0.094 (2.39)	0.12	15, 000 (1034)	-100°F~800°F (-73°C~427°C)
1/4" O.D. Tubing	DHL4	0.188 (4.77)	0.65	15, 000 (1034)	
3/8" O.D. Tubing	DHL6	0.250 (6.35)	0.95	15, 000 (1034)	
1/2" O.D. Tubing	DHL8	0.375 (9.53)	1.90	15, 000 (1034)	
1/8" Female NPT	FNS2	0.078 (1.98)	0.11	15, 000 (1034)	-100°F~400°F (-73°C~204°C)
1/8" Female ISO/BSP Tapered	FRT2				
1/4" Female NPT	FNS4	0.203 (5.16)	0.63	15, 000 (1034)	
1/4" Female ISO/BSP Tapered	FRT4				
3/8" Female NPT	FNS6	0.219 (5.56)	0.75	15, 000 (1034)	
3/8" Female ISO/BSP Tapered	FRT6				
1/2" Female NPT	FNS8	0.312 (7.92)	1.30	15, 000 (1034)	
1/2" Female ISO/BSP Tapered	FRT8				

NOTES: 1. The values of Cv shown are for 2-way straight valve pattern.

2. The values of Cv for 2-way angle pattern will increase by about 50% (Based on water).

3. Packing Options

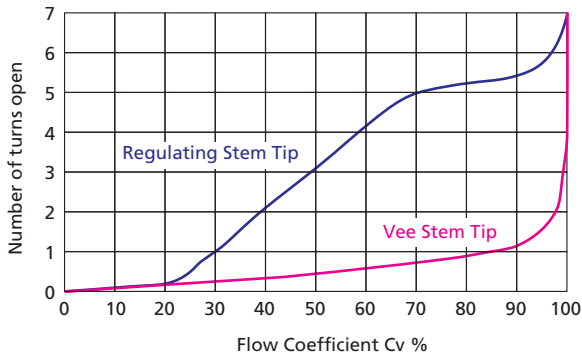
PTFE is the standard packing material, RPTFE glass and Graphite also available. Graphite packing not recommended for Hydrogen or Helium service.

PTFE: -100°F~450°F (-73°C~232°C)

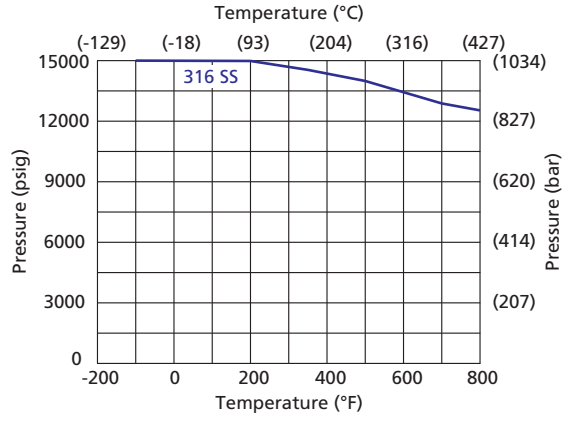
RPTFE glass: -100°F~600°F (-73°C~316°C)

Graphite: 0°F~800°F (-17.8°C~427°C)

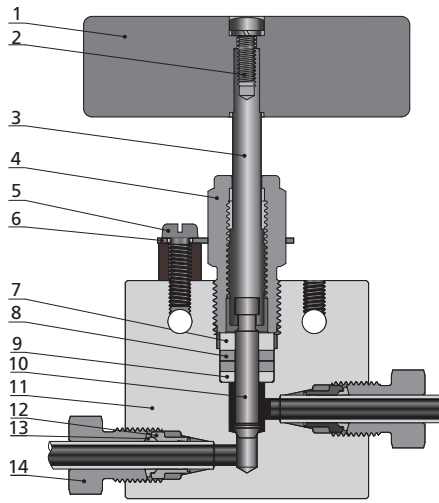
### Flow Data at 100°F (38°C)



### Pressure vs. Temperature Curve



### Standard Materials of Construction



Item	Component	Material Grade/ASTM Specification
1	Handle	Stainless steel
2	Handle Screw	Stainless steel
3	Upper Stem	316 SS/A479
4	Packing Gland	C63000/B150
5	Locking Screw	Stainless steel
6	Locking Plate	304 SS/A240
7	Packing Ring	C63000/B150
8	<i>Packing</i>	<i>PTFE/RPTFE/Graphite</i>
9	<i>Packing Washer</i>	<i>17-4PH SS/A564</i>
10	<i>Lower Stem</i>	<i>17-4PH SS/A564</i>
11	Body	316 SS/A479
12	Front Ferrule	316 SS/A479(For tubing connections)
13	Rear Ferrule	316 SS/A479(For tubing connections)
14	Nut	316 SS/A479(For tubing connections)
	Lubricant	Molybdenum disulfide

*Wetted component listed in italics.*

Medium & High Pressure Fittings and Tubing

Quick Couplings

Medium & High Pressure Valves

Line Filters

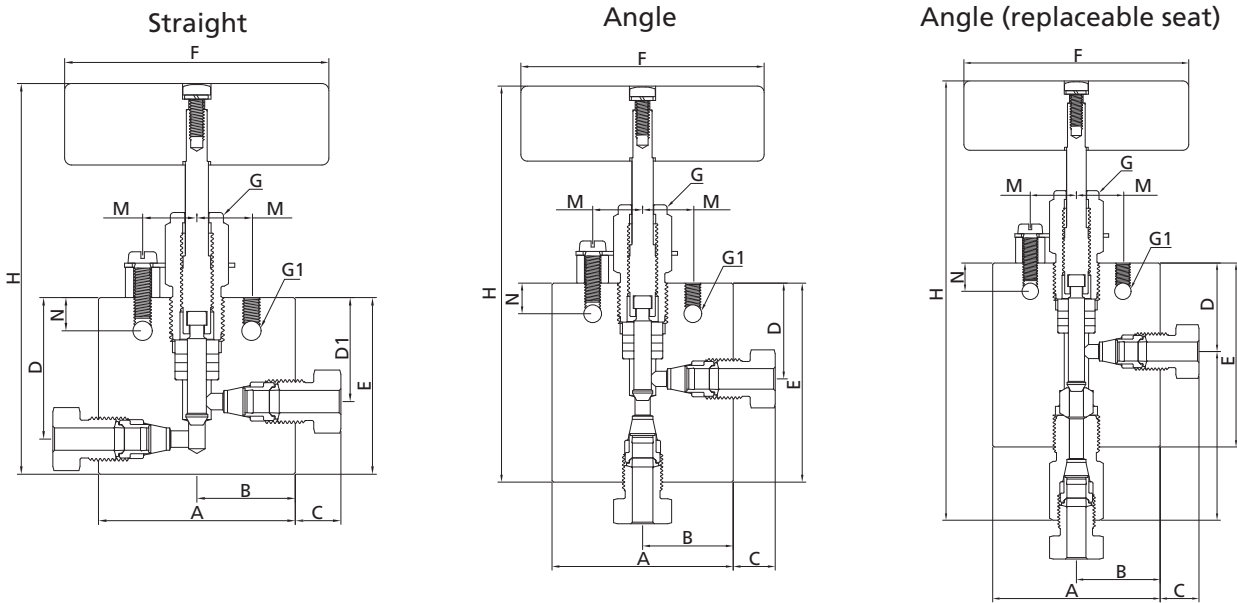
Sour Service Products

Subsea Valves

Tools and Installation Instructions

Technical Information

## Ordering Information and Dimensions (Tubing Connection, 2-Way)



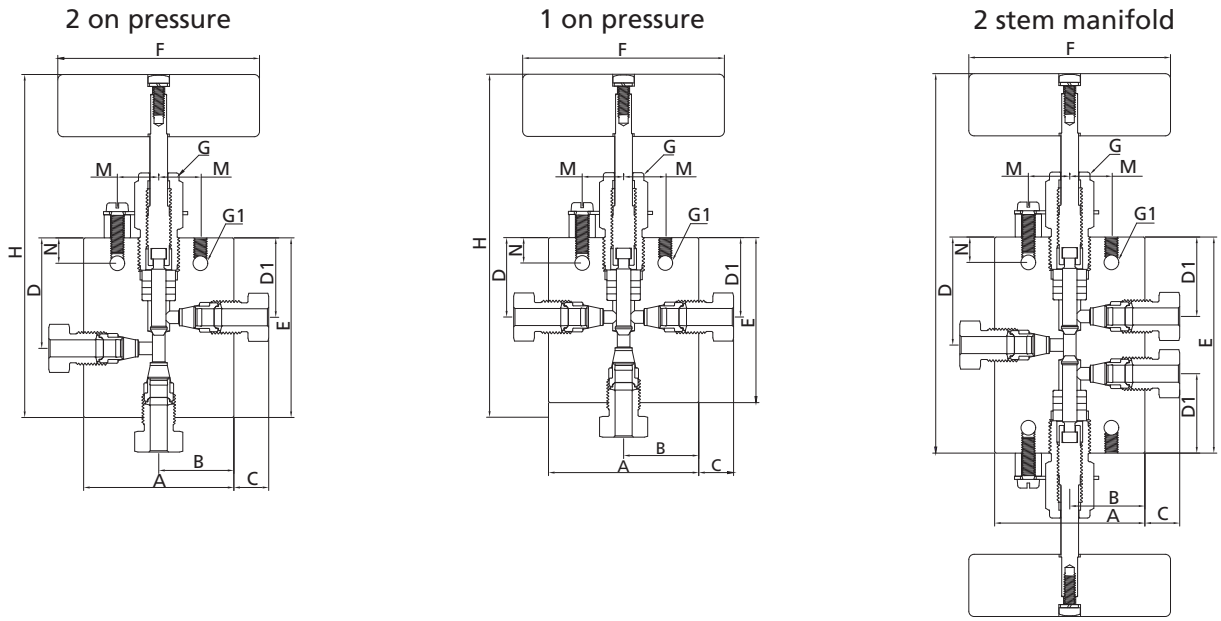
Straight															
Ordering Number	Connection	Orifice in. (mm)	Dimensions, in. (mm)												
			A	B	C	D	D1	E	F	G	G1	H	M	N	Thickness
15NSS-DHL2-1	DHL2	0.094 (2.39)	1.81 (46.1)	0.91 (23.1)	0.44 (11.2)	1.06 (26.9)	0.81 (20.6)	1.38 (35.1)	1.75 (44.5)	0.62 (15.8)	0.17 (4.3)	3.13 (79.6)	0.56 (14.2)	0.31 (7.9)	0.62 (15.8)
15NSS-DHL4-1	DHL4	0.188 (4.77)	2.33 (59.2)	1.17 (29.6)	0.52 (13.3)	1.62 (41.2)	1.19 (30.2)	2.00 (50.8)	3.00 (76.2)	0.75 (19.1)	0.22 (5.6)	4.90 (124.5)	0.62 (15.8)	0.38 (9.7)	0.75 (19.1)
15NSS-DHL6-1	DHL6	0.250 (6.35)	2.27 (57.6)	1.13 (28.8)	0.54 (13.6)	1.62 (41.2)	1.19 (30.2)	2.00 (50.8)	3.00 (76.2)	0.75 (19.1)	0.22 (5.6)	4.97 (126.3)	0.62 (15.8)	0.38 (9.7)	0.75 (19.1)
15NSS-DHL8-1	DHL8	0.375 (9.53)	2.86 (72.7)	1.43 (36.4)	0.60 (15.3)	2.38 (60.5)	1.75 (44.5)	2.88 (73.2)	4.00 (101.6)	1.00 (25.4)	0.34 (8.6)	6.21 (157.7)	0.69 (17.5)	0.50 (12.7)	1.00 (25.4)

Angle															
Ordering Number	Connection	Orifice in. (mm)	Dimensions, in. (mm)												
			A	B	C	D	D1	E	F	G	G1	H	M	N	Thickness
15NSS-DHL2-2	DHL2	0.094 (2.39)	1.81 (46.1)	0.91 (23.1)	0.44 (11.2)	0.81 (20.6)		1.56 (39.6)	1.75 (44.5)	0.62 (15.8)	0.17 (4.3)	3.32 (84.3)	0.56 (14.2)	0.31 (7.9)	0.62 (15.8)
15NSS-DHL4-2	DHL4	0.188 (4.77)	2.33 (59.2)	1.17 (29.6)	0.52 (13.3)	1.19 (30.2)		2.43 (61.7)	3.00 (76.2)	0.75 (19.1)	0.22 (5.6)	5.33 (135.4)	0.62 (15.8)	0.38 (9.7)	0.75 (19.1)
15NSS-DHL6-2	DHL6	0.250 (6.35)	2.27 (57.6)	1.13 (28.8)	0.54 (13.6)	1.19 (30.2)		2.43 (61.7)	3.00 (76.2)	0.75 (19.1)	0.22 (5.6)	5.40 (137.2)	0.62 (15.8)	0.38 (9.7)	0.75 (19.1)
15NSS-DHL8-2	DHL8	0.375 (9.53)	2.86 (72.7)	1.43 (36.4)	0.60 (15.3)	1.75 (44.5)		3.38 (85.9)	4.00 (101.6)	1.00 (25.4)	0.34 (8.6)	6.71 (170.4)	0.69 (17.5)	0.50 (12.7)	1.00 (25.4)

Angle (replaceable seat)															
Ordering Number	Connection	Orifice in. (mm)	Dimensions, in. (mm)												
			A	B	C	D	D1	E	F	G	G1	H	M	N	Thickness
15NSS-DHL2-3	DHL2	0.094 (2.39)	1.81 (46.1)	0.91 (23.1)	0.44 (11.2)	0.81 (20.6)	1.44 (36.5)	1.56 (39.6)	1.75 (44.5)	0.62 (15.8)	0.17 (4.3)	3.84 (97.6)	0.56 (14.2)	0.31 (7.9)	0.62 (15.8)
15NSS-DHL4-3	DHL4	0.188 (4.77)	2.33 (59.2)	1.17 (29.6)	0.52 (13.3)	1.19 (30.2)	2.05 (52.0)	2.25 (57.2)	3.00 (76.2)	0.75 (19.1)	0.22 (5.6)	5.97 (151.6)	0.62 (15.8)	0.38 (9.7)	0.75 (19.1)
15NSS-DHL6-3	DHL6	0.250 (6.35)	2.27 (57.6)	1.13 (28.8)	0.54 (13.6)	1.19 (30.2)	2.32 (59.0)	2.25 (57.2)	3.00 (76.2)	0.75 (19.1)	0.22 (5.6)	6.35 (161.3)	0.62 (15.8)	0.38 (9.7)	0.75 (19.1)
15NSS-DHL8-3	DHL8	0.375 (9.53)	2.86 (72.7)	1.43 (36.4)	0.60 (15.3)	1.75 (44.5)	2.68 (68.1)	3.25 (82.6)	4.00 (101.6)	1.00 (25.4)	0.34 (8.6)	7.54 (191.5)	0.69 (17.5)	0.50 (12.7)	1.00 (25.4)

Medium & High Pressure Fittings and Tubing  
Quick Couplings  
Medium & High Pressure Valves  
Line Filters  
Sour Service Products  
Subsea Valves  
Tools and Installation Instructions  
Technical Information

## Ordering Information and Dimensions (Tubing Connection, 3-Way)

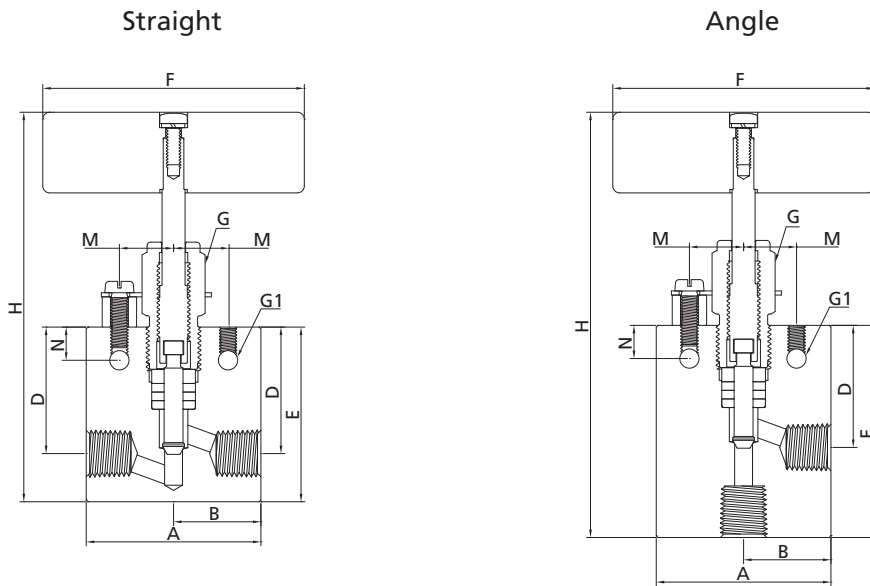


2 on pressure															
Ordering Number	Connection	Orifice in. (mm)	Dimensions, in. (mm)												
			A	B	C	D	D1	E	F	G	G1	H	M	N	Thickness
15NSS-DHL2-4	DHL2	0.094 (2.39)	1.81 (46.1)	0.91 (23.1)	0.44 (11.2)	1.06 (26.9)	0.81 (20.6)	1.85 (46.9)	1.75 (44.5)	0.62 (15.8)	0.17 (4.3)	3.45 (87.5)	0.56 (14.2)	0.31 (7.9)	0.62 (15.8)
15NSS-DHL4-4	DHL4	0.188 (4.77)	2.33 (59.2)	1.17 (29.6)	0.52 (13.3)	1.62 (41.2)	1.19 (30.2)	2.79 (70.8)	3.00 (76.2)	0.75 (19.1)	0.22 (5.6)	5.52 (140.3)	0.62 (15.8)	0.38 (9.7)	0.75 (19.1)
15NSS-DHL6-4	DHL6	0.250 (6.35)	2.27 (57.6)	1.13 (28.8)	0.54 (13.6)	1.62 (41.2)	1.19 (30.2)	2.76 (70.0)	3.00 (76.2)	0.75 (19.1)	0.22 (5.6)	5.59 (142.1)	0.62 (15.8)	0.38 (9.7)	0.75 (19.1)
15NSS-DHL8-4	DHL8	0.375 (9.53)	2.86 (72.7)	1.43 (36.4)	0.60 (15.3)	2.38 (60.5)	1.75 (44.5)	3.80 (96.6)	4.00 (101.6)	1.00 (25.4)	0.34 (8.6)	6.96 (176.7)	0.69 (17.5)	0.50 (12.7)	1.00 (25.4)

1 on pressure															
Ordering Number	Connection	Orifice in. (mm)	Dimensions, in. (mm)												
			A	B	C	D	D1	E	F	G	G1	H	M	N	Thickness
15NSS-DHL2-5	DHL2	0.094 (2.39)	1.81 (46.1)	0.91 (23.1)	0.44 (11.2)	0.81 (20.6)	1.56 (39.6)	1.75 (44.5)	0.62 (15.8)	0.17 (4.3)	3.32 (84.3)	0.56 (14.2)	0.31 (7.9)	0.62 (15.8)	
15NSS-DHL4-5	DHL4	0.188 (4.77)	2.33 (59.2)	1.17 (29.6)	0.52 (13.3)	1.19 (30.2)	2.43 (61.7)	3.00 (76.2)	0.75 (19.1)	0.22 (5.6)	5.33 (135.4)	0.62 (15.8)	0.38 (9.7)	0.75 (19.1)	
15NSS-DHL6-5	DHL6	0.250 (6.35)	2.27 (57.6)	1.13 (28.8)	0.54 (13.6)	1.19 (30.2)	2.43 (61.7)	3.00 (76.2)	0.75 (19.1)	0.22 (5.6)	5.40 (137.2)	0.62 (15.8)	0.38 (9.7)	0.75 (19.1)	
15NSS-DHL8-5	DHL8	0.375 (9.53)	2.86 (72.7)	1.43 (36.4)	0.60 (15.3)	1.75 (44.5)	3.38 (85.9)	4.00 (101.6)	1.00 (25.4)	0.34 (8.6)	6.71 (170.4)	0.69 (17.5)	0.50 (12.7)	1.00 (25.4)	

2 stem manifold															
Ordering Number	Connection	Orifice in. (mm)	Dimensions, in. (mm)												
			A	B	C	D	D1	E	F	G	G1	H	M	N	Thickness
15NSS-DHL2-6	DHL2	0.094 (2.39)	1.81 (46.1)	0.91 (23.1)	0.44 (11.2)	1.12 (28.5)	0.81 (20.6)	2.25 (57.2)	1.75 (44.5)	0.62 (15.8)	0.17 (4.3)	4.00 (101.8)	0.56 (14.2)	0.31 (7.9)	0.62 (15.8)
15NSS-DHL4-6	DHL4	0.188 (4.77)	2.33 (59.2)	1.17 (29.6)	0.52 (13.3)	1.69 (42.9)	1.19 (30.2)	3.38 (85.9)	3.00 (76.2)	0.75 (19.1)	0.22 (5.6)	6.28 (159.6)	0.62 (15.8)	0.38 (9.7)	0.75 (19.1)
15NSS-DHL6-6	DHL6	0.250 (6.35)	2.27 (57.6)	1.13 (28.8)	0.54 (13.6)	1.69 (42.9)	1.19 (30.2)	3.38 (85.9)	3.00 (76.2)	0.75 (19.1)	0.22 (5.6)	6.35 (161.3)	0.62 (15.8)	0.38 (9.7)	0.75 (19.1)
15NSS-DHL8-6	DHL8	0.375 (9.53)	2.86 (72.7)	1.43 (36.4)	0.60 (15.3)	2.56 (65.0)	1.75 (44.5)	5.12 (130.1)	4.00 (101.6)	1.00 (25.4)	0.34 (8.6)	8.45 (214.7)	0.69 (17.5)	0.50 (12.7)	1.00 (25.4)

## Ordering Information and Dimensions (Pipe Connection, 2-Way)



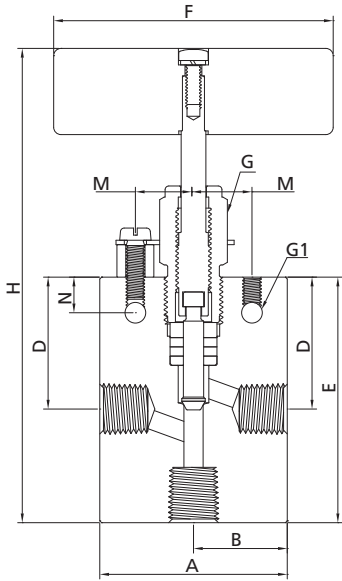
Straight															
Ordering Number	Connection	Orifice in. (mm)	Dimensions, in. (mm)												
			A	B	C	D	D1	E	F	G	G1	H	M	N	Thickness
15NSS-FNS2-1	FNS2	0.078 (1.98)	1.50 (38.1)	0.75 (19.1)	/	0.82 (20.6)	/	1.25 (31.8)	1.75 (44.5)	0.62 (15.8)	0.17 (4.3)	3.00 (76.4)	0.56 (14.2)	0.31 (7.9)	0.63 (15.9)
15NSS-FRT2-1	FRT2														
15NSS-FNS4-1	FNS4	0.203 (5.2)	2.00 (50.8)	1.00 (25.4)	/	1.41 (35.8)	/	2.00 (50.8)	3.00 (76.2)	0.75 (19.1)	0.22 (5.6)	4.89 (124.1)	0.62 (15.8)	0.38 (9.7)	0.75 (19.1)
15NSS-FRT4-1	FRT4														
15NSS-FNS6-1	FNS6	0.219 (5.56)	2.50 (63.5)	1.25 (31.8)	/	1.41 (35.8)	/	2.00 (50.8)	3.00 (76.2)	0.75 (19.1)	0.22 (5.6)	4.85 (123.1)	0.62 (15.8)	0.38 (9.7)	1.00 (25.4)
15NSS-FRT6-1	FRT6														
15NSS-FNS8-1	FNS8	0.312 (7.92)	3.00 (76.2)	1.50 (38.1)	/	2.06 (52.3)	/	2.88 (73.2)	4.00 (101.6)	1.00 (25.4)	0.34 (8.6)	6.18 (157.2)	0.69 (17.5)	0.50 (12.7)	1.38 (35.1)
15NSS-FRT8-1	FRT8														

Angle															
Ordering Number	Connection	Orifice in. (mm)	Dimensions, in. (mm)												
			A	B	C	D	D1	E	F	G	G1	H	M	N	Thickness
15NSS-FNS2-2	FNS2	0.078 (1.98)	1.50 (38.1)	0.75 (19.1)	/	0.81 (20.6)	/	1.38 (34.9)	1.75 (44.5)	0.62 (15.8)	0.17 (4.3)	3.13 (79.5)	0.56 (14.2)	0.31 (7.9)	0.63 (15.9)
15NSS-FRT2-2	FRT2														
15NSS-FNS4-2	FNS4	0.203 (5.2)	2.00 (50.8)	1.00 (25.4)	/	1.41 (35.8)	/	2.44 (62.0)	3.00 (76.2)	0.75 (19.1)	0.22 (5.6)	5.33 (135.4)	0.62 (15.8)	0.38 (9.7)	0.75 (19.1)
15NSS-FRT4-2	FRT4														
15NSS-FNS6-2	FNS6	0.219 (5.56)	2.50 (63.5)	1.25 (31.8)	/	1.41 (35.8)	/	2.44 (62.0)	3.00 (76.2)	0.75 (19.1)	0.22 (5.6)	5.34 (135.7)	0.62 (15.8)	0.38 (9.7)	1.00 (25.4)
15NSS-FRT6-2	FRT6														
15NSS-FNS8-2	FNS8	0.312 (7.92)	3.00 (76.2)	1.50 (38.1)	/	2.06 (52.3)	/	3.38 (85.9)	4.00 (101.6)	1.00 (25.4)	0.34 (8.6)	6.69 (169.9)	0.69 (17.5)	0.50 (12.7)	1.38 (35.1)
15NSS-FRT8-2	FRT8														

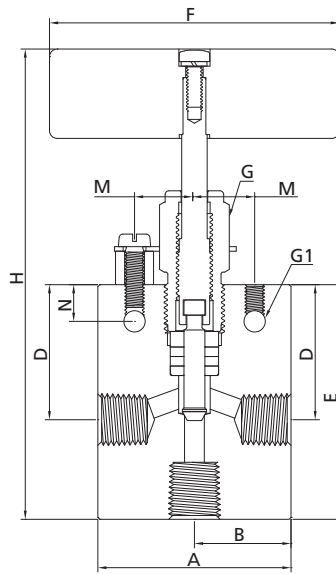
Medium & High Pressure Fittings and Tubing  
Quick Couplings  
Medium & High Pressure Valves  
Line Filters  
Sour Service Products  
Subsea Valves  
Tools and Installation Instructions  
Technical Information

## Ordering Information and Dimensions (Pipe Connection, 3-Way)

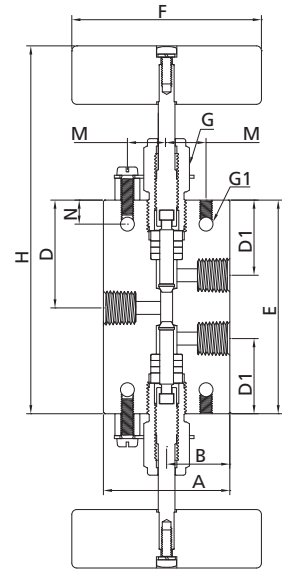
2 on pressure



1 on pressure



2 stem manifold



2 on pressure															
Ordering Number	Connection	Orifice in. (mm)	Dimensions, in. (mm)												
			A	B	C	D	D1	E	F	G	G1	H	M	N	Thickness
15NSS-FNS2-4	FNS2	0.078 (1.98)	1.50 (38.1)	0.75 (19.1)	/	0.82 (20.6)	/	1.57 (40.0)	1.75 (44.5)	0.62 (15.8)	0.17 (4.3)	3.33 (84.6)	0.56 (14.2)	0.31 (7.9)	0.63 (15.9)
15NSS-FRT2-4	FRT2														
15NSS-FNS4-4	FNS4	0.203 (5.2)	2.00 (50.8)	1.00 (25.4)	/	1.41 (35.8)	/	2.62 (66.6)	3.00 (76.2)	0.75 (19.1)	0.22 (5.6)	5.51 (140.0)	0.62 (15.8)	0.38 (9.7)	0.75 (19.1)
15NSS-FRT4-4	FRT4														
15NSS-FNS6-4	FNS6	0.219 (5.56)	2.50 (63.5)	1.25 (31.8)	/	1.41 (35.8)	/	2.62 (66.6)	3.00 (76.2)	0.75 (19.1)	0.22 (5.6)	5.47 (138.9)	0.62 (15.8)	0.38 (9.7)	1.00 (25.4)
15NSS-FRT6-4	FRT6														
15NSS-FNS8-4	FNS8	0.312 (7.92)	3.00 (76.2)	1.50 (38.1)	/	2.06 (52.3)	/	3.62 (92.0)	4.00 (101.6)	1.00 (25.4)	0.34 (8.6)	6.94 (176.26)	0.69 (17.5)	0.50 (12.7)	1.38 (35.1)
15NSS-FRT8-4	FRT8														

1 on pressure															
Ordering Number	Connection	Orifice in. (mm)	Dimensions, in. (mm)												
			A	B	C	D	D1	E	F	G	G1	H	M	N	Thickness
15NSS-FNS2-5	FNS2	0.078 (1.98)	1.50 (38.1)	0.75 (19.1)	/	0.82 (20.6)	/	1.38 (35.0)	1.75 (44.5)	0.62 (15.8)	0.17 (4.3)	3.13 (79.5)	0.56 (14.2)	0.31 (7.9)	0.63 (15.9)
15NSS-FRT2-5	FRT2														
15NSS-FNS4-5	FNS4	0.203 (5.2)	2.00 (50.8)	1.00 (25.4)	/	1.41 (35.8)	/	2.44 (62.0)	3.00 (76.2)	0.75 (19.1)	0.22 (5.6)	5.33 (135.4)	0.62 (15.8)	0.38 (9.7)	0.75 (19.1)
15NSS-FRT4-5	FRT4														
15NSS-FNS6-5	FNS6	0.219 (5.56)	2.50 (63.5)	1.25 (31.8)	/	1.41 (35.8)	/	2.44 (62.0)	3.00 (76.2)	0.75 (19.1)	0.22 (5.6)	5.34 (135.7)	0.62 (15.8)	0.38 (9.7)	1.00 (25.4)
15NSS-FRT6-5	FRT6														
15NSS-FNS8-5	FNS8	0.312 (7.92)	3.00 (76.2)	1.50 (38.1)	/	2.06 (52.3)	/	3.38 (85.9)	4.00 (101.6)	1.00 (25.4)	0.34 (8.6)	6.69 (169.9)	0.69 (17.5)	0.50 (12.7)	1.38 (35.1)
15NSS-FRT8-5	FRT8														

## C-25 Needle Valves and Pneumatic Needle Valves

2 stem manifold															
Ordering Number	Connection	Orifice in. (mm)	Dimensions, in. (mm)												
			A	B	C	D	D1	E	F	G	G1	H	M	N	Thickness
15NSS-FNS2-6	FNS2	0.078 (1.98)	1.50 (38.1)	0.75 (19.1)	/	1.00 (25.6)	0.68 (17.2)	2.02 (51.2)	1.75 (44.5)	0.62 (15.8)	0.17 (4.3)	3.77 (95.8)	0.56 (14.2)	0.31 (7.9)	0.63 (15.9)
15NSS-FRT2-6	FRT2														
15NSS-FNS4-6	FNS4	0.203 (5.2)	2.00 (50.8)	1.00 (25.4)	/	1.69 (42.9)	1.19 (30.2)	3.38 (85.9)	3.00 (76.2)	0.75 (19.1)	0.22 (5.6)	6.27 (159.2)	0.62 (15.8)	0.38 (9.7)	0.75 (19.1)
15NSS-FRT4-6	FRT4														
15NSS-FNS6-6	FNS6	0.219 (5.56)	2.50 (63.5)	1.25 (31.8)	/	1.69 (42.9)	1.19 (30.2)	3.38 (85.9)	3.00 (76.2)	0.75 (19.1)	0.22 (5.6)	6.22 (158.1)	0.62 (15.8)	0.38 (9.7)	1.00 (25.4)
15NSS-FRT6-6	FRT6														
15NSS-FNS8-6	FNS8	0.312 (7.92)	3.00 (76.2)	1.50 (38.1)	/	2.56 (65.1)	1.75 (44.5)	5.12 (130.1)	4.00 (101.6)	1.00 (25.4)	0.34 (8.6)	8.43 (214.2)	0.69 (17.5)	0.50 (12.7)	1.38 (35.1)
15NSS-FRT8-6	FRT8														

- NOTES: 1. G is the drill dimension of packing gland mounting hole.  
 2. G1 is the dimension of bracket mounting hole.  
 3. Panel mounting drill size: 0.25" all valves.  
 4. H is the dimension of stem in closed position.  
 5. All dimensions for reference only and subject to change. For dimensions not shown above, please contact the FITOK Group or our authorized distributors.

# 20N Series

## 20,000 psig (1379 bar)

### Features

- ⦿ Tubing sizes available in 1/4", 3/8", 9/16", 3/4" and 1"
- ⦿ High tensile 316 Stainless Steel for valve body and 17-4PH Stainless Steel for lower stem
- ⦿ Selected materials of packing gland and upper stem for optimum thread cycle life and reduced handle torque
- ⦿ Metal-to-metal seating achieves ideal shutoff, longer stem/seat service lifetime for abrasive flow, excellent corrosion resistance and greater durability for repeated on/off cycles
- ⦿ Non-rotating stem and bar stock body design
- ⦿ Easy to assemble and replace packing
- ⦿ Packing located under stem threads
- ⦿ Reliable locking for packing gland
- ⦿ Options for Vee or Regulating stem tips
- ⦿ Five flow patterns available

### Technical Data

Tube O.D. in.	Connection	Orifice in. (mm)	Cv	Working Pressure psig (bar)	Working Temperature Range
1/4	2FH4	0.125 (3.18)	0.31	20,000 (1379)	-100°F~1200°F (-73°C~649°C)
3/8	2FH6	0.204 (5.18)	0.68	20,000 (1379)	
9/16	2FH9	0.312 (7.92)	1.30	20,000 (1379)	
3/4	2FH12	0.438 (11.13)	2.50	20,000 (1379)	
1	2FH16	0.562 (14.27)	4.40	20,000 (1379)	

- NOTES: 1. The values of Cv shown are for 2-way straight valve pattern.  
 2. The values of Cv for 2-way angle pattern will increase by about 50% (Based on water).  
 3. Packing Options  
 PTFE is the standard packing material, RPTFE glass, Graphite and extended stuffing box with Graphite also available. Graphite packing not recommended for Hydrogen or Helium service.  
 PTFE: -100°F~450°F (-73°C~232°C)  
 RPTFE glass: -100°F~600°F (-73°C~316°C)  
 Graphite: 0°F~800°F (-17.8°C~427°C)  
 Extended stuffing box with Graphite: -100°F~1000°F (-73°C~649°C)

Medium &amp; High Pressure Fittings and Tubing

Quick Couplings

Medium &amp; High Pressure Valves

Line Filters

Sour Service Products

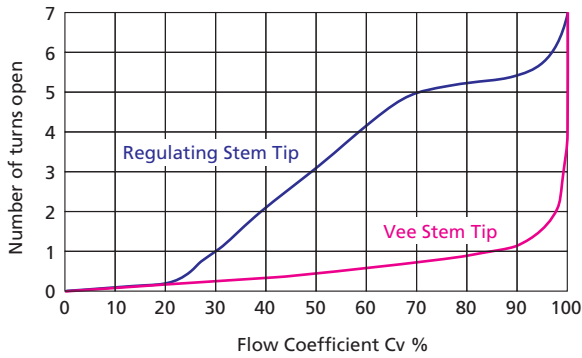
Subsea Valves

Tools and Installation Instructions

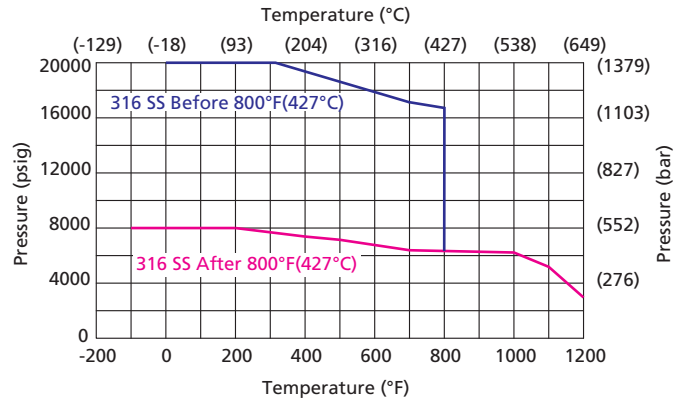
Technical Information



### Flow Data at 100°F (38°C)

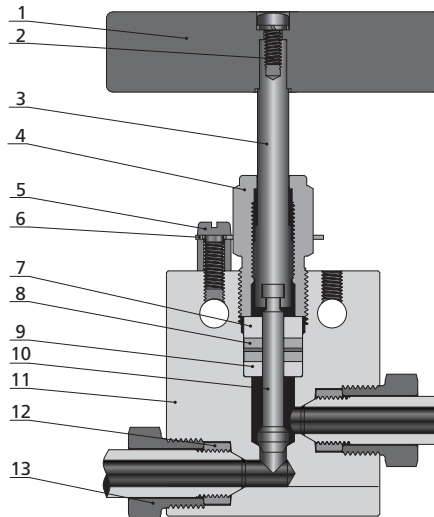


### Pressure vs. Temperature Curve



NOTE: When temperature exceeds 800°F (427°C), use the pink curve as its cold-worked rating for future operating of the components.

### Standard Materials of Construction

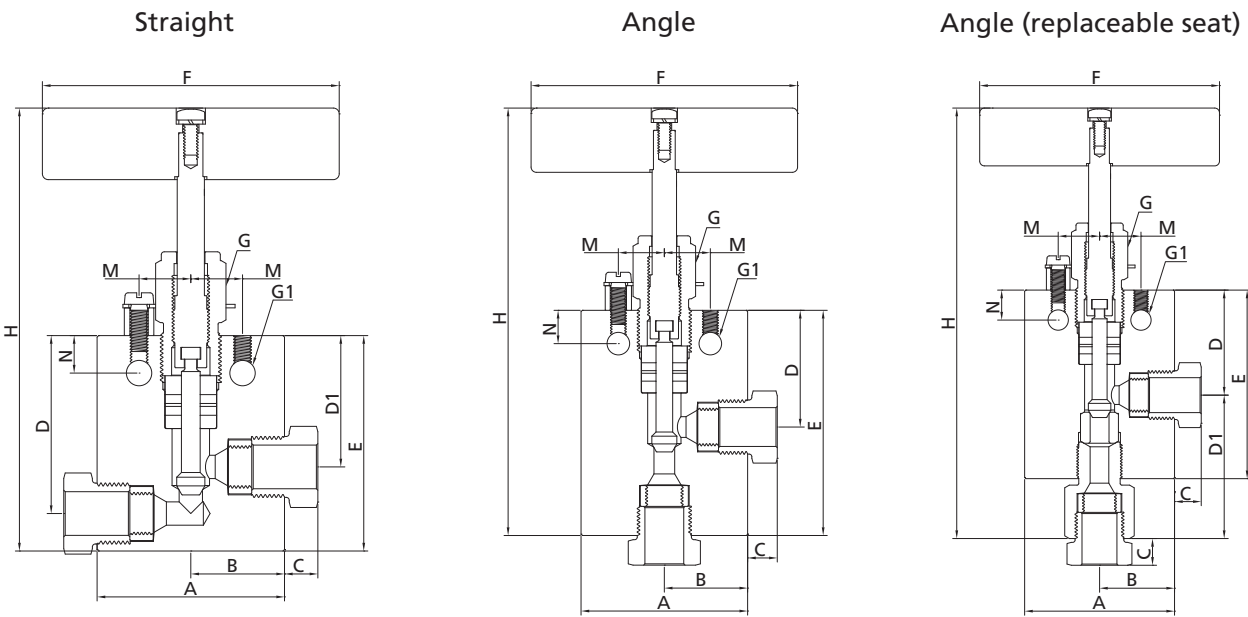


Item	Component	Material Grade/ASTM Specification
1	Handle	Stainless steel
2	Handle Screw	Stainless steel
3	Upper Stem	316 SS/A479
4	Packing Gland	C63000/B150
5	Locking Screw	Stainless steel
6	Locking Plate	304 SS/A240
7	Packing Ring	C63000/B150
8	<i>Packing</i>	<i>PTFE/RPTFE glass/Graphite/Extended stuffing box with Graphite</i>
9	<i>Packing Washer</i>	<i>17-4PH SS/A564</i>
10	<i>Lower Stem</i>	<i>17-4PH SS/A564</i>
11	<i>Body</i>	<i>316 SS/A479</i>
12	Collar	316 SS/A479(For tubing connections)
13	Gland	316 SS/A479(For tubing connections)
	Lubricant	Molybdenum disulfide

Wetted component listed in italics.

Medium & High Pressure Fittings and Tubing  
Quick Couplings  
Medium & High Pressure Valves  
Line Filters  
Sour Service Products  
Subsea Valves  
Tools and Installation Instructions  
Technical Information

## Ordering Information and Dimensions (Tubing Connection, 2-Way)



Straight															
Ordering Number	Connection	Orifice in. (mm)	Dimensions, in. (mm)												
			A	B	C	D	D1	E	F	G	G1	H	M	N	Thickness
20NSS-2FH4-1	2FH4	0.125 (3.18)	2.00 (50.8)	1.00 (25.4)	0.38 (9.7)	1.62 (41.2)	1.19 (30.2)	2.00 (50.8)	3.00 (76.2)	0.75 (19.1)	0.22 (5.6)	4.85 (123.1)	0.62 (15.8)	0.38 (9.7)	0.75 (19.1)
20NSS-2FH6-1	2FH6	0.204 (5.18)	2.00 (50.8)	1.00 (25.4)	0.44 (11.2)	1.62 (41.2)	1.19 (30.2)	2.00 (50.8)	3.00 (76.2)	0.75 (19.1)	0.22 (5.6)	4.89 (124.2)	0.62 (15.8)	0.38 (9.7)	0.75 (19.1)
20NSS-2FH9-1	2FH9	0.312 (7.92)	2.50 (63.5)	1.25 (31.8)	0.55 (14.0)	2.37 (60.3)	1.75 (44.5)	2.88 (73.2)	4.00 (101.6)	1.00 (25.4)	0.34 (8.6)	6.18 (157.2)	0.69 (17.5)	0.50 (12.7)	1.00 (25.4)
20NSS-2FH12-1	2FH12	0.438 (11.13)	3.00 (76.2)	1.50 (38.1)	0.60 (15.2)	3.00 (76.2)	2.25 (57.2)	3.75 (95.3)	10.25 (260.4)	1.19 (30.2)	0.44 (11.2)	7.37 (187.2)	0.88 (22.4)	0.63 (16.0)	1.38 (35.1)
20NSS-2FH16-1	2FH16	0.562 (14.27)	4.12 (104.6)	2.06 (52.3)	0.74 (18.7)	3.75 (95.3)	2.81 (71.4)	4.63 (117.6)	10.25 (260.4)	1.62 (41.2)	0.56 (14.2)	9.45 (240.1)	1.25 (31.8)	1.13 (28.7)	1.75 (44.5)

Angle															
Ordering Number	Connection	Orifice in. (mm)	Dimensions, in. (mm)												
			A	B	C	D	D1	E	F	G	G1	H	M	N	Thickness
20NSS-2FH4-2	2FH4	0.125 (3.18)	2.00 (50.8)	1.00 (25.4)	0.38 (9.7)	1.19 (30.2)	/	2.44 (61.9)	3.00 (76.2)	0.75 (19.1)	0.22 (5.6)	5.28 (134.2)	0.62 (15.8)	0.38 (9.7)	0.75 (19.1)
20NSS-2FH6-2	2FH6	0.204 (5.18)	2.00 (50.8)	1.00 (25.4)	0.44 (11.2)	1.19 (30.2)	/	2.44 (61.9)	3.00 (76.2)	0.75 (19.1)	0.22 (5.6)	5.33 (135.4)	0.62 (15.8)	0.38 (9.7)	0.75 (19.1)
20NSS-2FH9-2	2FH9	0.312 (7.92)	2.50 (63.5)	1.25 (31.8)	0.55 (14.0)	1.75 (44.5)	/	3.38 (85.9)	4.00 (101.6)	1.00 (25.4)	0.34 (8.6)	6.69 (170.0)	0.69 (17.5)	0.50 (12.7)	1.00 (25.4)
20NSS-2FH12-2	2FH12	0.438 (11.13)	3.00 (76.2)	1.50 (38.1)	0.60 (15.2)	2.25 (57.2)	/	4.25 (108.0)	10.25 (260.4)	1.19 (30.2)	0.44 (11.2)	7.87 (199.9)	0.88 (22.4)	0.63 (16.0)	1.38 (35.1)
20NSS-2FH16-2	2FH16	0.562 (14.27)	4.12 (104.6)	2.06 (52.3)	0.74 (18.7)	2.81 (71.4)	/	5.12 (130.1)	10.25 (260.4)	1.62 (41.2)	0.56 (14.2)	9.94 (252.6)	1.25 (31.8)	1.13 (28.7)	1.75 (44.5)

Medium & High Pressure Fittings and Tubing

Quick Couplings

Medium & High Pressure Valves

Line Filters

Sour Service Products

Subsea Valves

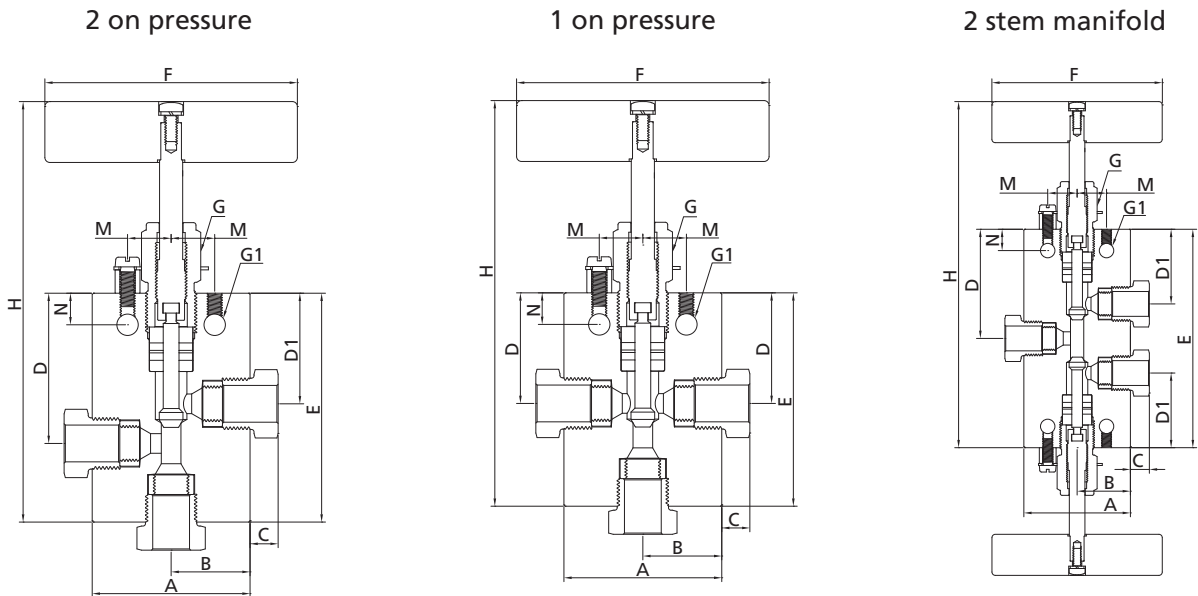
Tools and Installation Instructions

Technical Information

C-29 Needle Valves and Pneumatic Needle Valves

Angle (replaceable seat)															
Ordering Number	Connection	Orifice in. (mm)	Dimensions, in. (mm)												
			A	B	C	D	D1	E	F	G	G1	H	M	N	Thickness
20NSS-2FH4-3	2FH4	0.125 (3.18)	2.00 (50.8)	1.00 (25.4)	0.38 (9.7)	1.19 (30.2)	2.13 (54.0)	2.25 (57.2)	3.00 (76.2)	0.75 (19.1)	0.22 (5.6)	6.10 (154.9)	0.62 (15.8)	0.38 (9.7)	0.75 (19.1)
20NSS-2FH6-3	2FH6	0.204 (5.18)	2.00 (50.8)	1.00 (25.4)	0.44 (11.2)	1.19 (30.2)	2.13 (54.0)	2.25 (57.2)	3.00 (76.2)	0.75 (19.1)	0.22 (5.6)	6.16 (156.5)	0.62 (15.8)	0.38 (9.7)	0.75 (19.1)
20NSS-2FH9-3	2FH9	0.312 (7.92)	2.50 (63.5)	1.25 (31.8)	0.55 (14.0)	1.75 (44.5)	2.50 (63.5)	3.13 (79.4)	4.00 (101.6)	1.00 (25.4)	0.34 (8.6)	7.58 (192.1)	0.69 (17.5)	0.50 (12.7)	1.00 (25.4)
20NSS-2FH12-3	2FH12	0.438 (11.13)	3.00 (76.2)	1.50 (38.1)	0.60 (15.2)	2.25 (57.2)	3.44 (87.4)	4.25 (108.0)	10.25 (260.4)	1.19 (30.2)	0.44 (11.2)	9.30 (236.3)	0.88 (22.4)	0.63 (16.0)	1.38 (35.1)
20NSS-2FH16-3	2FH16	0.562 (14.27)	4.12 (104.6)	2.06 (52.3)	0.74 (18.7)	2.81 (71.4)	4.22 (107.4)	5.25 (133.4)	10.25 (260.4)	1.62 (41.2)	0.56 (14.2)	11.86 (301.3)	1.25 (31.8)	1.13 (28.7)	1.75 (44.5)

Ordering Information and Dimensions (Tubing Connection, 3-Way)



2 on pressure															
Ordering Number	Connection	Orifice in. (mm)	Dimensions, in. (mm)												
			A	B	C	D	D1	E	F	G	G1	H	M	N	Thickness
20NSS-2FH4-4	2FH4	0.125 (3.18)	2.00 (50.8)	1.00 (25.4)	0.38 (9.7)	1.63 (41.3)	1.19 (30.2)	2.63 (66.7)	3.00 (76.2)	0.75 (19.1)	0.22 (5.6)	5.47 (139.0)	0.62 (15.8)	0.38 (9.7)	0.75 (19.1)
20NSS-2FH6-4	2FH6	0.204 (5.18)	2.00 (50.8)	1.00 (25.4)	0.44 (11.2)	1.63 (41.3)	1.19 (30.2)	2.63 (66.7)	3.00 (76.2)	0.75 (19.1)	0.22 (5.6)	5.52 (140.1)	0.62 (15.8)	0.38 (9.7)	0.75 (19.1)
20NSS-2FH9-4	2FH9	0.312 (7.92)	2.50 (63.5)	1.25 (31.8)	0.55 (14.0)	2.37 (60.3)	1.75 (44.5)	3.63 (92.1)	4.00 (101.6)	1.00 (25.4)	0.34 (8.6)	6.94 (176.3)	0.69 (17.5)	0.50 (12.7)	1.00 (25.4)
20NSS-2FH12-4	2FH12	0.438 (11.13)	3.00 (76.2)	1.50 (38.1)	0.60 (15.2)	3.00 (76.2)	2.25 (57.2)	4.63 (117.5)	10.25 (260.4)	1.19 (30.2)	0.44 (11.2)	8.24 (209.4)	0.88 (22.4)	0.63 (16.0)	1.38 (35.1)
20NSS-2FH16-4	2FH16	0.562 (14.27)	4.12 (104.6)	2.06 (52.3)	0.74 (18.7)	3.75 (95.3)	2.81 (71.4)	5.88 (149.4)	10.25 (260.4)	1.62 (41.2)	0.56 (14.2)	10.70 (271.9)	1.25 (31.8)	1.13 (28.7)	1.75 (44.5)

Medium & High Pressure Fittings and Tubing  
Quick Couplings  
Medium & High Pressure Valves  
Line Filters  
Sour Service Products  
Subsea Valves  
Tools and Installation Instructions  
Technical Information

1 on pressure															
Ordering Number	Connection	Orifice in. (mm)	Dimensions, in. (mm)												
			A	B	C	D	D1	E	F	G	G1	H	M	N	Thickness
20NSS-2FH4-5	2FH4	0.125 (3.18)	2.00 (50.8)	1.00 (25.4)	0.38 (9.7)	1.19 (30.2)		2.44 (61.9)	3.00 (76.2)	0.75 (19.1)	0.22 (5.6)	5.28 (134.2)	0.62 (15.8)	0.38 (9.7)	0.75 (19.1)
20NSS-2FH6-5	2FH6	0.204 (5.18)	2.00 (50.8)	1.00 (25.4)	0.44 (11.2)	1.19 (30.2)		2.44 (61.9)	3.00 (76.2)	0.75 (19.1)	0.22 (5.6)	5.33 (135.4)	0.62 (15.8)	0.38 (9.7)	0.75 (19.1)
20NSS-2FH9-5	2FH9	0.312 (7.92)	2.50 (63.5)	1.25 (31.8)	0.55 (14.0)	1.75 (44.5)		3.38 (85.9)	4.00 (101.6)	1.00 (25.4)	0.34 (8.6)	6.69 (170.0)	0.69 (17.5)	0.50 (12.7)	1.00 (25.4)
20NSS-2FH12-5	2FH12	0.438 (11.13)	3.00 (76.2)	1.50 (38.1)	0.60 (15.2)	2.25 (57.2)		4.25 (108.0)	10.25 (260.4)	1.19 (30.2)	0.44 (11.2)	7.87 (199.9)	0.88 (22.4)	0.63 (16.0)	1.38 (35.1)
20NSS-2FH16-5	2FH16	0.562 (14.27)	4.12 (104.6)	2.06 (52.3)	0.74 (18.7)	2.81 (71.4)		5.12 (130.1)	10.25 (260.4)	1.62 (41.2)	0.56 (14.2)	9.94 (252.6)	1.25 (31.8)	1.13 (28.7)	1.75 (44.5)

2 stem manifold															
Ordering Number	Connection	Orifice in. (mm)	Dimensions, in. (mm)												
			A	B	C	D	D1	E	F	G	G1	H	M	N	Thickness
20NSS-2FH4-6	2FH4	0.125 (3.18)	2.00 (50.8)	1.00 (25.4)	0.38 (9.7)	1.69 (42.9)	1.19 (30.2)	3.38 (85.7)	3.00 (76.2)	0.75 (19.1)	0.22 (5.6)	6.23 (158.1)	0.62 (15.8)	0.38 (9.7)	0.75 (19.1)
20NSS-2FH6-6	2FH6	0.204 (5.18)	2.00 (50.8)	1.00 (25.4)	0.44 (11.2)	1.69 (42.9)	1.19 (30.2)	3.38 (85.7)	3.00 (76.2)	0.75 (19.1)	0.22 (5.6)	6.24 (158.6)	0.62 (15.8)	0.38 (9.7)	0.75 (19.1)
20NSS-2FH9-6	2FH9	0.312 (7.92)	2.50 (63.5)	1.25 (31.8)	0.55 (14.0)	2.56 (65.1)	1.75 (44.5)	5.13 (130.2)	4.00 (101.6)	1.00 (25.4)	0.34 (8.6)	8.44 (214.4)	0.69 (17.5)	0.50 (12.7)	1.00 (25.4)
20NSS-2FH12-6	2FH12	0.438 (11.13)	3.00 (76.2)	1.50 (38.1)	0.60 (15.2)	3.00 (76.2)	2.25 (57.2)	6.50 (165.1)	10.25 (260.4)	1.19 (30.2)	0.44 (11.2)	10.11 (257.0)	0.88 (22.4)	0.63 (16.0)	1.38 (35.1)
20NSS-2FH16-6	2FH16	0.562 (14.27)	4.12 (104.6)	2.06 (52.3)	0.74 (18.7)	3.75 (95.3)	2.81 (71.4)	7.50 (190.5)	10.25 (260.4)	1.62 (41.2)	0.56 (14.2)	12.32 (313.0)	1.25 (31.8)	1.13 (28.7)	1.75 (44.5)

- NOTES: 1. G is the drill dimension of packing gland mounting hole.  
 2. G1 is the dimension of bracket mounting hole.  
 3. Panel mounting drill size: 0.25" all valves.  
 4. H is the dimension of stem in closed position.  
 5. All dimensions for reference only and subject to change. For dimensions not shown above, please contact the FITOK Group or our authorized distributors.

Medium & High Pressure Fittings and Tubing
Quick Couplings
Medium & High Pressure Valves
Line Filters
Sour Service Products
Subsea Valves
Tools and Installation Instructions
Technical Information

# 30N Series

## 30,000 psig (2068 bar)

### Features

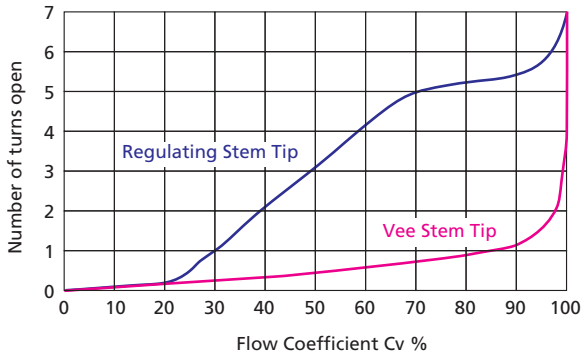
- ⦿ Tubing sizes available in 1/4", 3/8" and 9/16"
- ⦿ High tensile 316 Stainless Steel for valve body and 17-4PH Stainless Steel for lower stem
- ⦿ Selected materials of packing gland and upper stem for optimum thread cycle life and reduced handle torque
- ⦿ Metal-to-metal seating achieves ideal shutoff, longer stem/seat service lifetime for abrasive flow, excellent corrosion resistance and greater durability for repeated on/off cycles
- ⦿ Non-rotating stem and bar stock body design
- ⦿ Easy to assemble and replace packing
- ⦿ Packing located under stem threads
- ⦿ Reliable locking device for packing gland
- ⦿ Options for Vee or Regulating stem tips
- ⦿ Five flow patterns available

### Technical Data

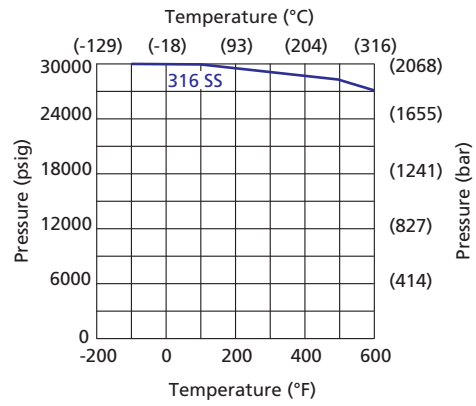
Tube O.D. in.	Connection	Orifice in. (mm)	Cv	Working Pressure psig (bar)	Working Temperature Range
1/4	6FH4	0.094 (2.39)	0.12	30,000 (2068)	-100°F~600°F (-73°C~316°C)
3/8	6FH6	0.125 (3.18)	0.23	30,000 (2068)	
9/16	6FH9	0.125 (3.18)	0.33	30,000 (2068)	

- NOTES: 1. The values of Cv shown are for 2-way straight valve pattern.  
 2. The values of Cv for 2-way angle pattern will increase by about 50% (Based on water).  
 3. Packing Options  
 PTFE is the standard packing material, RPTFE glass also available  
 PTFE: -100°F~450°F (-73°C~232°C)  
 RPTFE glass: -100°F~600°F(-73°C~316°C)

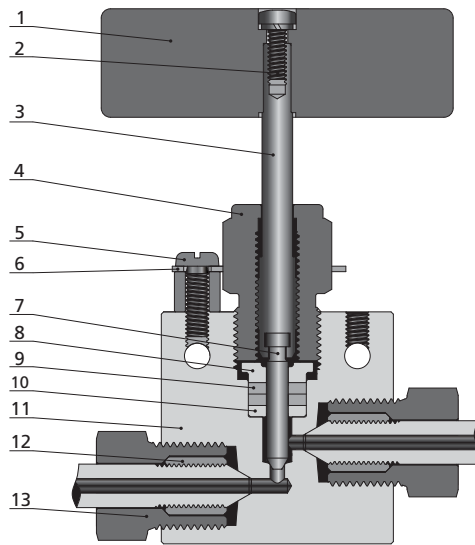
### Flow Data at 100°F (38°C)



### Pressure vs. Temperature Curve



### Standard Materials of Construction



Item	Component	Material Grade/ASTM Specification
1	Handle	Stainless steel
2	Handle Screw	Stainless steel
3	Upper Stem	316 SS/A479
4	Packing Gland	C63000/B150
5	Locking Screw	Stainless steel
6	Locking Plate	304 SS/A240
7	<i>Lower Stem</i>	<i>17-4PH/A564</i>
8	Packing Ring	C63000/B150
9	<i>Packing</i>	<i>PTFE / RPTFE</i>
10	<i>Packing Washer</i>	<i>17-4PH SS/A564</i>
11	<i>Body</i>	<i>316 SS/A479</i>
12	Collar	316 SS/A479
13	Gland	316 SS/A479
	Lubricant	Molybdenum disulfide

*Wetted component listed in italics.*

Medium & High Pressure Fittings and Tubing

Quick Couplings

Medium & High Pressure Valves

Line Filters

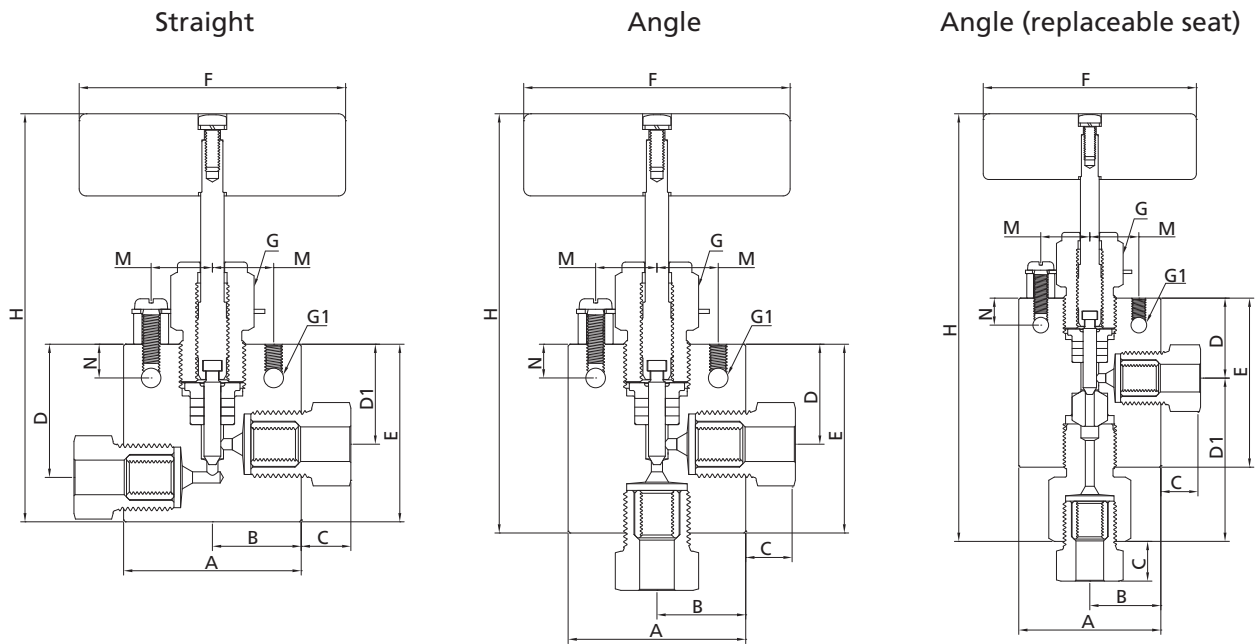
Sour Service Products

Subsea Valves

Tools and Installation Instructions

Technical Information

## Ordering Information and Dimensions (Tubing Connection, 2-Way)



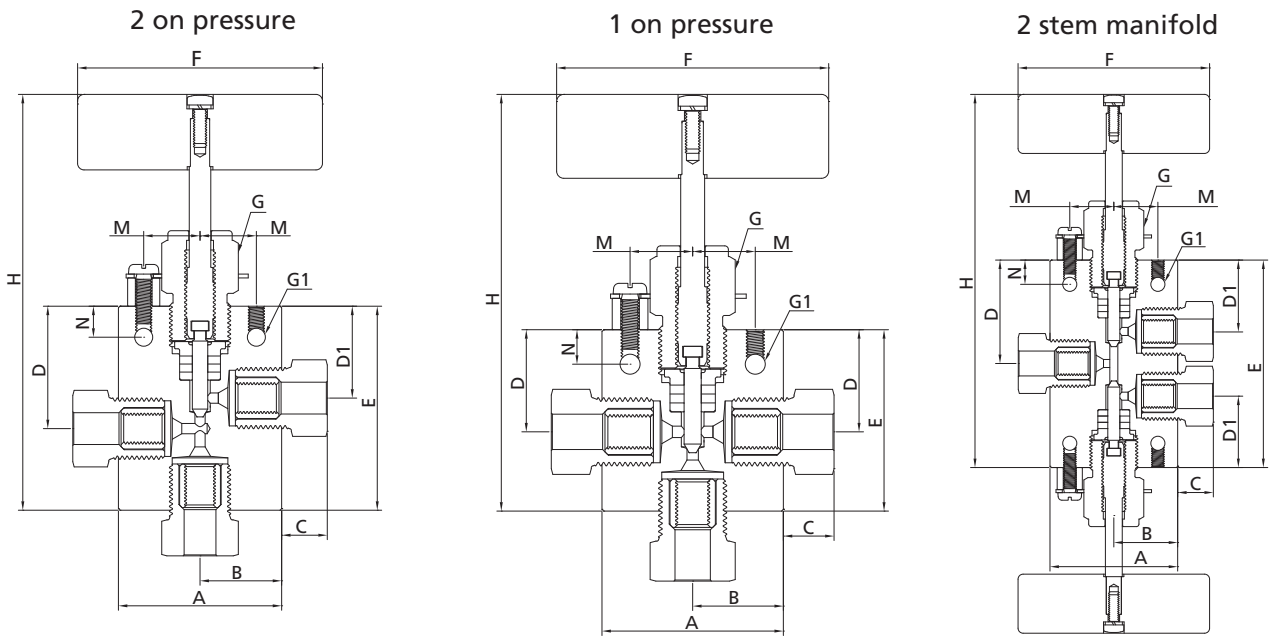
Straight															
Ordering Number	Connection	Orifice in. (mm)	Dimensions, in. (mm)												
			A	B	C	D	D1	E	F	G	G1	H	M	N	Thickness
30NSS-6FH4-1	6FH4	0.094 (2.39)	2.00 (50.8)	1.00 (25.4)	0.47 (11.9)	1.50 (38.1)	1.12 (28.5)	2.00 (50.8)	3.00 (76.2)	1.00 (25.4)	0.22 (5.6)	4.69 (119.1)	0.69 (17.5)	0.38 (9.7)	1.00 (25.4)
30NSS-6FH6-1	6FH6	0.125 (3.18)	2.00 (50.8)	1.00 (25.4)	0.61 (15.6)	1.50 (38.1)	1.12 (28.5)	2.00 (50.8)	3.00 (76.2)	1.00 (25.4)	0.22 (5.6)	4.69 (119.1)	0.69 (17.5)	0.38 (9.7)	1.00 (25.4)
30NSS-6FH9-1	6FH9	0.125 (3.18)	2.62 (66.6)	1.31 (33.3)	0.95 (24.1)	1.56 (39.6)	1.12 (28.5)	2.44 (62.0)	3.00 (76.2)	1.00 (25.4)	0.28 (7.1)	5.13 (130.3)	0.69 (17.5)	0.38 (9.7)	1.50 (38.1)

Angle															
Ordering Number	Connection	Orifice in. (mm)	Dimensions, in. (mm)												
			A	B	C	D	D1	E	F	G	G1	H	M	N	Thickness
30NSS-6FH4-2	6FH4	0.094 (2.39)	2.00 (50.8)	1.00 (25.4)	0.47 (11.9)	1.12 (28.5)	1.12 (28.5)	2.00 (50.8)	3.00 (76.2)	1.00 (25.4)	0.22 (5.6)	4.69 (119.1)	0.69 (17.5)	0.38 (9.7)	1.00 (25.4)
30NSS-6FH6-2	6FH6	0.125 (3.18)	2.00 (50.8)	1.00 (25.4)	0.61 (15.6)	1.12 (28.5)	1.12 (28.5)	2.25 (57.2)	3.00 (76.2)	1.00 (25.4)	0.22 (5.6)	4.95 (125.7)	0.69 (17.5)	0.38 (9.7)	1.00 (25.4)
30NSS-6FH9-2	6FH9	0.125 (3.18)	2.62 (66.6)	1.31 (33.3)	0.95 (24.1)	1.12 (28.5)	1.12 (28.5)	2.44 (62.0)	3.00 (76.2)	1.00 (25.4)	0.28 (7.1)	5.13 (130.3)	0.69 (17.5)	0.38 (9.7)	1.50 (38.1)

Angle (replaceable seat)															
Ordering Number	Connection	Orifice in. (mm)	Dimensions, in. (mm)												
			A	B	C	D	D1	E	F	G	G1	H	M	N	Thickness
30NSS-6FH4-3	6FH4	0.094 (2.39)	2.00 (50.8)	1.00 (25.4)	0.47 (11.9)	1.12 (28.5)	2.06 (52.3)	2.38 (60.5)	3.00 (76.2)	1.00 (25.4)	0.22 (5.6)	5.88 (149.2)	0.69 (17.5)	0.38 (9.7)	1.00 (25.4)
30NSS-6FH6-3	6FH6	0.125 (3.18)	2.00 (50.8)	1.00 (25.4)	0.61 (15.6)	1.12 (28.5)	2.31 (58.67)	2.38 (60.5)	3.00 (76.2)	1.00 (25.4)	0.22 (5.6)	6.12 (155.4)	0.69 (17.5)	0.38 (9.7)	1.00 (25.4)
30NSS-6FH9-3	6FH9	0.125 (3.18)	2.62 (66.6)	1.31 (33.3)	0.95 (24.1)	1.12 (28.6)	2.55 (65.0)	2.44 (62.0)	3.00 (76.2)	1.00 (25.4)	0.28 (7.1)	6.39 (162.4)	0.69 (17.5)	0.38 (9.7)	1.50 (38.1)

Medium & High Pressure Fittings and Tubing  
Quick Couplings  
Medium & High Pressure Valves  
Line Filters  
Sour Service Products  
Subsea Valves  
Tools and Installation Instructions  
Technical Information

## Ordering Information and Dimensions (Tubing Connection, 3-Way)



2 on pressure															
Ordering Number	Connection	Orifice in. (mm)	Dimensions, in. (mm)												
			A	B	C	D	D1	E	F	G	G1	H	M	N	Thickness
30NSS-6FH4-4	6FH4	0.094 (2.39)	2.00 (50.8)	1.00 (25.4)	0.47 (11.9)	1.50 (38.1)	1.12 (28.5)	2.12 (53.9)	3.00 (76.2)	1.00 (25.4)	0.22 (5.6)	4.81 (122.1)	0.69 (17.5)	0.38 (9.7)	1.00 (25.4)
30NSS-6FH6-4	6FH6	0.125 (3.18)	2.00 (50.8)	1.00 (25.4)	0.61 (15.6)	1.50 (38.1)	1.12 (28.5)	2.50 (63.5)	3.00 (76.2)	1.00 (25.4)	0.22 (5.6)	5.19 (131.9)	0.69 (17.5)	0.38 (9.7)	1.00 (25.4)
30NSS-6FH9-4	6FH9	0.125 (3.18)	2.62 (66.6)	1.31 (33.3)	0.95 (24.1)	1.56 (39.6)	1.12 (28.5)	2.88 (73.2)	3.00 (76.2)	1.00 (25.4)	0.28 (7.1)	5.57 (141.5)	0.69 (17.5)	0.38 (9.7)	1.50 (38.1)

1 on pressure															
Ordering Number	Connection	Orifice in. (mm)	Dimensions, in. (mm)												
			A	B	C	D	D1	E	F	G	G1	H	M	N	Thickness
30NSS-6FH4-5	6FH4	0.094 (2.39)	2.00 (50.8)	1.00 (25.4)	0.47 (11.9)	1.12 (28.5)	/	2.00 (50.8)	3.00 (76.2)	1.00 (25.4)	0.22 (5.6)	4.69 (119.1)	0.69 (17.5)	0.38 (9.7)	1.00 (25.4)
30NSS-6FH6-5	6FH6	0.125 (3.18)	2.00 (50.8)	1.00 (25.4)	0.61 (15.6)	1.12 (28.5)	/	2.25 (57.2)	3.00 (76.2)	1.00 (25.4)	0.22 (5.6)	4.95 (125.7)	0.69 (17.5)	0.38 (9.7)	1.00 (25.4)
30NSS-6FH9-5	6FH9	0.125 (3.18)	2.62 (66.6)	1.31 (33.3)	0.95 (24.1)	1.12 (28.5)	/	2.44 (62.0)	3.00 (76.2)	1.00 (25.4)	0.28 (7.1)	5.13 (130.3)	0.69 (17.5)	0.38 (9.7)	1.50 (38.1)

2 stem manifold															
Ordering Number	Connection	Orifice in. (mm)	Dimensions, in. (mm)												
			A	B	C	D	D1	E	F	G	G1	H	M	N	Thickness
30NSS-6FH4-6	6FH4	0.094 (2.39)	2.00 (50.8)	1.00 (25.4)	0.47 (11.9)	1.53 (38.9)	1.12 (28.5)	3.06 (77.7)	3.00 (76.2)	1.00 (25.4)	0.22 (5.6)	5.75 (146.0)	0.69 (17.5)	0.38 (9.7)	1.00 (25.4)
30NSS-6FH6-6	6FH6	0.125 (3.18)	2.00 (50.8)	1.00 (25.4)	0.61 (15.6)	1.62 (41.2)	1.12 (28.5)	3.25 (82.6)	3.00 (76.2)	1.00 (25.4)	0.22 (5.6)	5.94 (150.9)	0.69 (17.5)	0.38 (9.7)	1.00 (25.4)
30NSS-6FH9-6	6FH9	0.125 (3.18)	2.62 (66.6)	1.31 (33.3)	0.95 (24.1)	1.88 (47.8)	1.12 (28.5)	3.75 (95.3)	3.00 (76.2)	1.00 (25.4)	0.28 (7.1)	6.44 (163.6)	0.69 (17.5)	0.38 (9.7)	1.50 (38.1)

- NOTES: 1. G is the drill dimension of packing gland mounting hole.  
 2. G1 is the dimension of bracket mounting hole.  
 3. Panel mounting drill size: 0.25" all valves.  
 4. H is the dimension of stem in closed position.  
 5. All dimensions for reference only and subject to change. For dimensions not shown above, please contact the FITOK Group or our authorized representatives.



# 60N Series

## 60,000 psig (4137 bar)

### Features

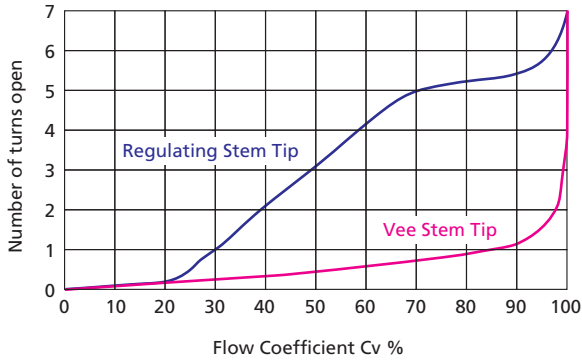
- ⦿ Tubing sizes available in 1/4", 3/8" and 9/16"
- ⦿ High tensile 316 Stainless Steel for valve body and 17-4PH Stainless Steel for lower stem
- ⦿ Selected materials of packing gland and upper stem for optimum thread cycle life and reduced handle torque
- ⦿ Metal-to-metal seating achieves ideal shutoff, longer stem/seat service lifetime for abrasive flow, excellent corrosion resistance and greater durability for repeated on/off cycles
- ⦿ Non-rotating stem and bar stock body design
- ⦿ Easy to assemble and replace packing
- ⦿ Packing located under stem threads
- ⦿ Reliable locking device for packing gland
- ⦿ Options for Vee or Regulating stem tips
- ⦿ Five flow patterns available

### Technical Data

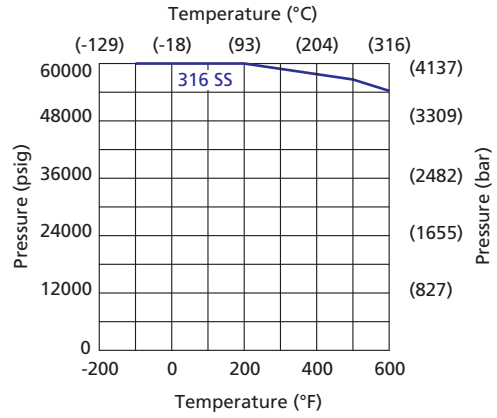
Tube O.D. in.	Connection	Orifice in. (mm)	Cv	Working Pressure psig (bar)	Working Temperature Range
1/4	6FH4	0.063 (1.59)	0.08	60,000 (4137)	-100°F~-600°F (-73°C~316°C)
3/8	6FH6	0.063 (1.59)	0.09	60,000 (4137)	
9/16	6FH9	0.078 (1.98)	0.14	60,000 (4137)	

- NOTES: 1. The values of Cv shown are for 2-way straight valve pattern.  
 2. The values of Cv for 2-way angle pattern will increase by about 50% (Based on water).  
 3. Packing Options  
 Nylon is the standard packing material, RPTFE glass also available  
 Nylon: 40°F~230°F (4.4°C~110°C)  
 RPTFE glass: -100°F~600°F (-73°C~316°C)

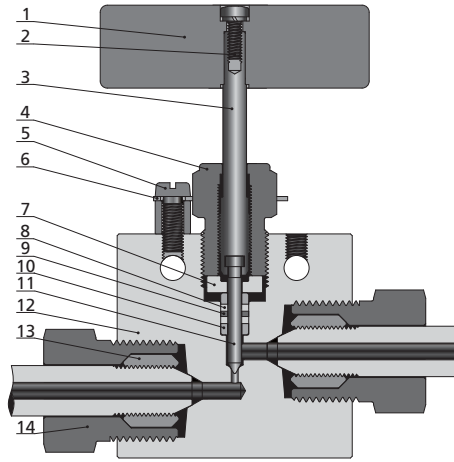
### Flow Data at 100°F (38°C)



### Pressure vs. Temperature Curve



### Standard Materials of Construction

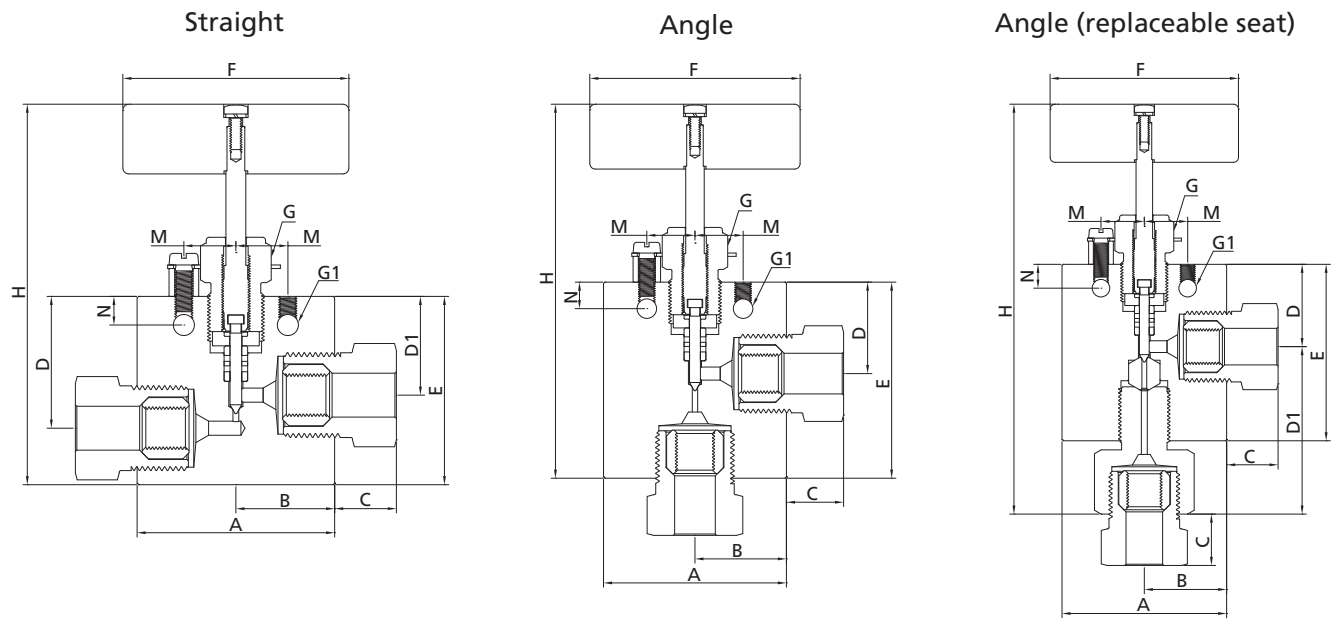


Item	Component	Material Grade/ASTM Specification
1	Handle	Stainless steel
2	Handle Screw	Stainless steel
3	Upper Stem	316 SS/A479
4	Packing Gland	C63000/B150
5	Locking Screw	Stainless steel
6	Locking Plate	304 SS/A240
7	Packing Ring	<i>17-4PH SS/A564</i>
8	<i>Packing</i>	<i>Nylon/RPTFE</i>
9	<i>Retaining Ring</i>	<i>PEEK</i>
10	<i>Packing Washer</i>	<i>17-4PH SS/A564</i>
11	<i>Lower Stem</i>	<i>17-4PH SS/A564</i>
12	Body	316 SS/A479
13	Collar	316 SS/A479
14	Gland	316 SS/A479
	Lubricant	Molybdenum disulfide

*Wetted component listed in italics.*

Medium & High Pressure Fittings and Tubing
Quick Couplings
Medium & High Pressure Valves
Line Filters
Sour Service Products
Subsea Valves
Tools and Installation Instructions
Technical Information

## Ordering Information and Dimensions (Tubing Connection, 2-Way)



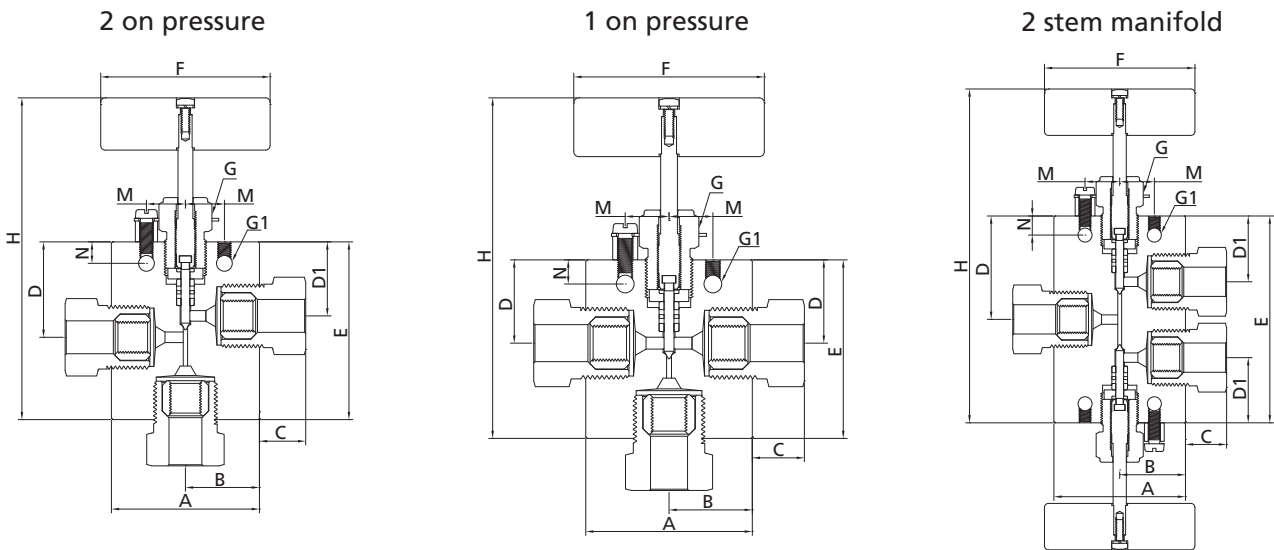
Straight															
Ordering Number	Connection	Orifice in. (mm)	Dimensions, in. (mm)												
			A	B	C	D	D1	E	F	G	G1	H	M	N	Thickness
60NSS-6FH4-1	6FH4	0.063 (1.59)	2.00 (50.8)	1.00 (25.4)	0.47 (11.9)	1.69 (42.9)	1.31 (33.3)	2.13 (54.0)	3.00 (76.2)	1.00 (25.4)	0.22 (5.6)	4.77 (121.1)	0.69 (17.5)	0.38 (9.7)	1.00 (25.4)
60NSS-6FH6-1	6FH6	0.063 (1.59)	2.00 (50.8)	1.00 (25.4)	0.61 (15.6)	1.69 (42.9)	1.31 (33.3)	2.25 (57.2)	3.00 (76.2)	1.00 (25.4)	0.22 (5.6)	4.89 (124.3)	0.69 (17.5)	0.38 (9.7)	1.00 (25.4)
60NSS-6FH9-1	6FH9	0.078 (1.98)	2.62 (66.6)	1.31 (33.3)	0.95 (24.1)	1.75 (44.5)	1.31 (33.3)	2.50 (63.5)	3.00 (76.2)	1.00 (25.4)	0.28 (7.1)	5.14 (130.6)	0.69 (17.5)	0.38 (9.7)	1.50 (38.1)

Angle															
Ordering Number	Connection	Orifice in. (mm)	Dimensions, in. (mm)												
			A	B	C	D	D1	E	F	G	G1	H	M	N	Thickness
60NSS-6FH4-2	6FH4	0.063 (1.59)	2.00 (50.8)	1.00 (25.4)	0.47 (11.9)	1.31 (33.3)	2.38 (60.5)	3.00 (76.2)	1.00 (25.4)	0.22 (5.6)	5.02 (127.5)	0.69 (17.5)	0.38 (9.7)	1.00 (25.4)	
60NSS-6FH6-2	6FH6	0.063 (1.59)	2.00 (50.8)	1.00 (25.4)	0.61 (15.6)	1.31 (33.3)	2.62 (66.6)	3.00 (76.2)	1.00 (25.4)	0.22 (5.6)	5.26 (133.5)	0.69 (17.5)	0.38 (9.7)	1.00 (25.4)	
60NSS-6FH9-2	6FH9	0.078 (1.98)	2.62 (66.6)	1.31 (33.3)	0.95 (24.1)	1.31 (33.3)	2.81 (71.4)	3.00 (76.2)	1.00 (25.4)	0.28 (7.1)	5.45 (138.5)	0.69 (17.5)	0.38 (9.7)	1.50 (38.1)	

Angle (replaceable seat)															
Ordering Number	Connection	Orifice in. (mm)	Dimensions, in. (mm)												
			A	B	C	D	D1	E	F	G	G1	H	M	N	Thickness
60NSS-6FH4-3	6FH4	0.063 (1.59)	2.00 (50.8)	1.00 (25.4)	0.47 (11.9)	1.31 (33.3)	2.12 (53.9)	2.62 (66.6)	3.00 (76.2)	1.00 (25.4)	0.22 (5.6)	6.07 (154.1)	0.69 (17.5)	0.38 (9.7)	1.00 (25.4)
60NSS-6FH6-3	6FH6	0.063 (1.59)	2.00 (50.8)	1.00 (25.4)	0.61 (15.6)	1.31 (33.3)	2.36 (59.9)	2.62 (66.6)	3.00 (76.2)	1.00 (25.4)	0.22 (5.6)	6.30 (160.1)	0.69 (17.5)	0.38 (9.7)	1.00 (25.4)
60NSS-6FH9-3	6FH9	0.078 (1.98)	2.62 (66.6)	1.31 (33.3)	0.95 (24.1)	1.31 (33.3)	2.68 (68.8)	2.62 (66.6)	3.00 (76.2)	1.00 (25.4)	0.28 (7.1)	6.65 (168.9)	0.69 (17.5)	0.38 (9.7)	1.50 (38.1)

Medium & High Pressure Fittings and Tubing  
Quick Couplings  
Medium & High Pressure Valves  
Line Filters  
Sour Service Products  
Subsea Valves  
Tools and Installation Instructions  
Technical Information

## Ordering Information and Dimensions (Tubing Connection, 3-Way)



2 on pressure															
Ordering Number	Connection	Orifice in. (mm)	Dimensions, in. (mm)												
			A	B	C	D	D1	E	F	G	G1	H	M	N	Thickness
60NSS-6FH4-4	6FH4	0.063 (1.59)	2.00 (50.8)	1.00 (25.4)	0.47 (11.9)	1.69 (42.9)	1.31 (33.3)	2.38 (60.5)	3.00 (76.2)	1.00 (25.4)	0.22 (5.6)	5.26 (133.6)	0.69 (17.5)	0.38 (9.7)	1.00 (25.4)
60NSS-6FH6-4	6FH6	0.063 (1.59)	2.00 (50.8)	1.00 (25.4)	0.61 (15.6)	1.69 (42.9)	1.31 (33.3)	2.75 (68.9)	3.00 (76.2)	1.00 (25.4)	0.22 (5.6)	5.34 (135.8)	0.69 (17.5)	0.38 (9.7)	1.00 (25.4)
60NSS-6FH9-4	6FH9	0.078 (1.98)	2.62 (66.6)	1.31 (33.3)	0.95 (24.1)	1.75 (44.5)	1.31 (33.3)	3.03 (77.0)	3.00 (76.2)	1.00 (25.4)	0.28 (7.1)	5.67 (143.9)	0.69 (17.5)	0.38 (9.7)	1.50 (38.1)

1 on pressure															
Ordering Number	Connection	Orifice in. (mm)	Dimensions, in. (mm)												
			A	B	C	D	D1	E	F	G	G1	H	M	N	Thickness
60NSS-6FH4-5	6FH4	0.063 (1.59)	2.00 (50.8)	1.00 (25.4)	0.47 (11.9)	1.31 (33.3)	/	2.38 (60.5)	3.00 (76.2)	1.00 (25.4)	0.22 (5.6)	5.02 (127.5)	0.69 (17.5)	0.38 (9.7)	1.00 (25.4)
60NSS-6FH6-5	6FH6	0.063 (1.59)	2.00 (50.8)	1.00 (25.4)	0.61 (15.6)	1.31 (33.3)	/	2.62 (66.6)	3.00 (76.2)	1.00 (25.4)	0.22 (5.6)	5.26 (133.5)	0.69 (17.5)	0.38 (9.7)	1.00 (25.4)
60NSS-6FH9-5	6FH9	0.078 (1.98)	2.62 (66.6)	1.31 (33.3)	0.95 (24.1)	1.31 (33.3)	/	2.81 (71.4)	3.00 (76.2)	1.00 (25.4)	0.28 (7.1)	5.45 (138.5)	0.69 (17.5)	0.38 (9.7)	1.50 (38.1)

2 stem manifold															
Ordering Number	Connection	Orifice in. (mm)	Dimensions, in. (mm)												
			A	B	C	D	D1	E	F	G	G1	H	M	N	Thickness
60NSS-6FH4-6	6FH4	0.063 (1.59)	2.00 (50.8)	1.00 (25.4)	0.47 (11.9)	1.72 (43.69)	1.31 (33.3)	3.44 (87.4)	3.00 (76.2)	1.00 (25.4)	0.22 (5.6)	6.08 (154.5)	0.69 (17.5)	0.38 (9.7)	1.00 (25.4)
60NSS-6FH6-6	6FH6	0.063 (1.59)	2.00 (50.8)	1.00 (25.4)	0.61 (15.6)	1.88 (47.8)	1.31 (33.3)	3.75 (95.3)	3.00 (76.2)	1.00 (25.4)	0.22 (5.6)	6.39 (162.3)	0.69 (17.5)	0.38 (9.7)	1.00 (25.4)
60NSS-6FH9-6	6FH9	0.078 (1.98)	2.62 (66.6)	1.31 (33.3)	0.95 (24.1)	2.06 (52.3)	1.31 (33.3)	4.12 (104.7)	3.00 (76.2)	1.00 (25.4)	0.28 (7.1)	6.76 (171.8)	0.69 (17.5)	0.38 (9.7)	1.50 (38.1)

- NOTES: 1. G is the drill dimension of packing gland mounting hole.  
 2. G1 is the dimension of bracket mounting hole.  
 3. Panel mounting drill size: 0.25" all valves.  
 4. H is the dimension of stem in closed position.  
 5. All dimensions for reference only and subject to change. For dimensions not shown above, please contact the FITOK Group or our authorized representatives.

# Pneumatic Needle Valves

## Piston Style Pneumatic Needle Valves Air to Open (Normally Closed)

### Features

- ⦿ Small and compact piston actuator
- ⦿ Air-to-open with spring return
- ⦿ Positive shut-off with metal-to-metal seating
- ⦿ Yoke design for separation of process and air pressure
- ⦿ Easy stem replacement
- ⦿ Standard stem position indicator
- ⦿ High actuator cycle life
- ⦿ Anodized aluminum actuator to provide good corrosion and wear resistance
- ⦿ Tested to 100,000 cycles at 100 psig ( 6.9 bar) with no leakage, no signs of wear or fatigue

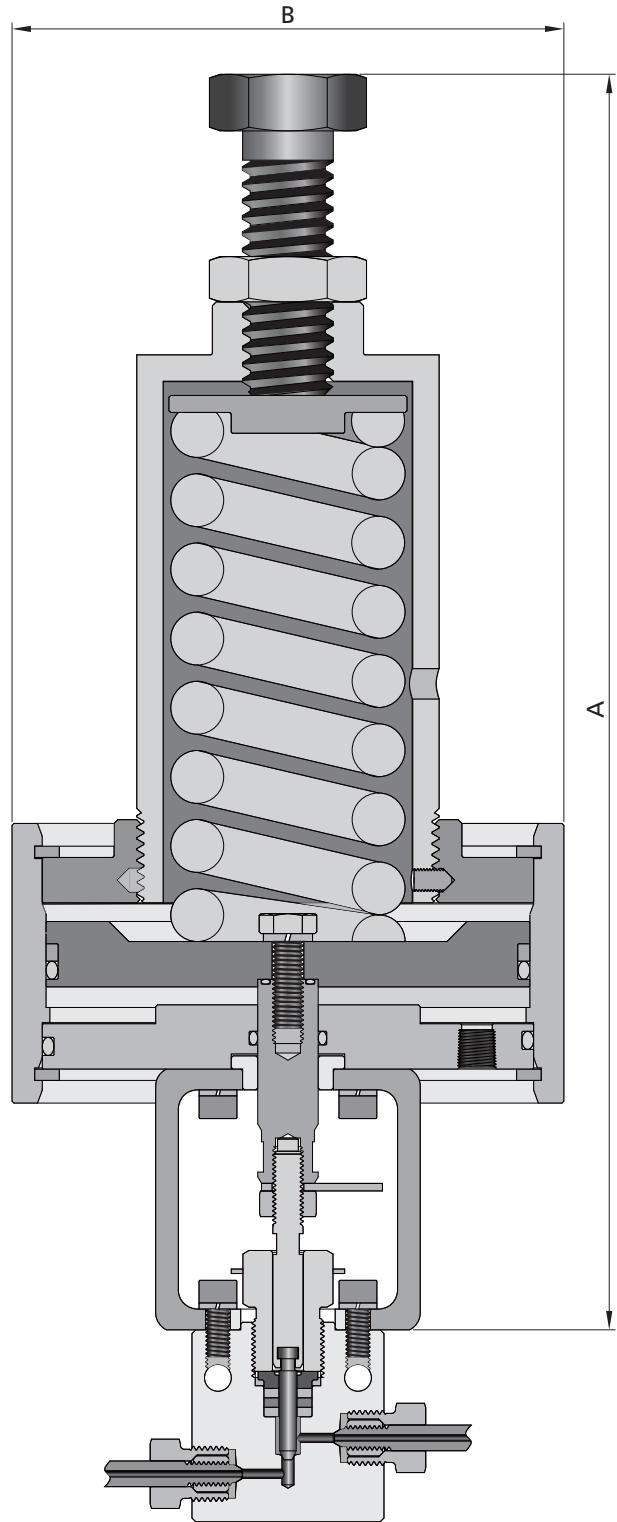
### Technical Data

Maximum working pressure for air operator		100 psig (6.9 bar)
Air operator temperature range		-10°F~200°F (-23°C~93°C)
Air operator material	Cylinder, piston, cover plates, spring housing	Anodized Aluminum
	Yoke	Stainless Steel
	O-ring	NBR
Air inlet connection		1/8" or 3/8" Female NPT

## Dimensions

Basic Ordering Number	Air Inlet Connection	Area of Piston sq.in. (sq. cm)	A in. (mm)	B in. (mm)
10NSS-2FH9-X	1/8" NPT	51.20 (330.3)	16.24 (412.5)	6.54 (166.0)
10NSS-2FH12-X		92.58 (597.3)	20.72 (526.3)	8.58 (218.0)
10NSS-2FH16-X	3/8" NPT	112.55 (726.1)	24.12 (612.7)	9.57 (243.0)
10NSS-FNS12-X	1/8" NPT	92.58 (597.3)	20.72 (526.3)	8.58 (218.0)
10NSS-FRT12-X		92.58 (597.3)	20.72 (526.3)	8.58 (218.0)
10NSS-FNS16-X	3/8" NPT	112.55 (726.1)	24.12 (612.7)	9.57 (243.0)
10NSS-FRT16-X		112.55 (726.1)	24.12 (612.7)	9.57 (243.0)
15NSS-DHL2-X	1/8" NPT	7.79 (50.3)	8.56 (217.3)	3.62 (92.0)
15NSS-DHL4-X		19.95 (128.7)	13.08 (332.3)	5.75 (146.0)
15NSS-DHL6-X		19.95 (128.7)	13.08 (332.3)	5.75 (146.0)
15NSS-DHL8-X		51.20 (330.3)	16.24 (412.5)	6.54 (166.0)
15NSS-FNS2-X		7.79 (50.3)	8.56 (217.3)	3.62 (92.0)
15NSS-FRT2-X		7.79 (50.3)	8.56 (217.3)	3.62 (92.0)
15NSS-FNS4-X		19.95 (128.7)	13.08 (332.3)	5.75 (146.0)
15NSS-FRT4-X		19.95 (128.7)	13.08 (332.3)	5.75 (146.0)
15NSS-FNS6-X		19.95 (128.7)	13.08 (332.3)	5.75 (146.0)
15NSS-FRT6-X		19.95 (128.7)	13.08 (332.3)	5.75 (146.0)
15NSS-FNS8-X		51.20 (330.3)	16.24 (412.5)	6.54 (166.0)
15NSS-FRT8-X		51.20 (330.3)	16.24 (412.5)	6.54 (166.0)
20NSS-2FH4-X		19.95 (128.7)	13.08 (332.3)	5.75 (146.0)
20NSS-2FH6-X		19.95 (128.7)	13.08 (332.3)	5.75 (146.0)
20NSS-2FH9-X		51.20 (330.3)	16.24 (412.5)	6.54 (166.0)
20NSS-2FH12-X		92.58 (597.3)	20.72 (526.3)	8.58 (218.0)
20NSS-2FH16-X	3/8" NPT	112.55 (726.1)	24.12 (612.7)	9.57 (243.0)
30NSS-6FH4-X	1/8" NPT	19.95 (128.7)	13.08 (332.3)	5.75 (146.0)
30NSS-6FH6-X		19.95 (128.7)	13.08 (332.3)	5.75 (146.0)
30NSS-6FH9-X		19.95 (128.7)	13.08 (332.3)	5.75 (146.0)
60NSS-6FH4-X		19.95 (128.7)	13.08 (332.3)	5.75 (146.0)
60NSS-6FH6-X		19.95 (128.7)	13.08 (332.3)	5.75 (146.0)
60NSS-6FH9-X	19.95 (128.7)	13.08 (332.3)	5.75 (146.0)	

NOTES: 1. A is the dimension of stem in closed position.  
 2. All dimensions are for reference only and are subject to change. For dimensions not shown above, please contact FITOK Group or our authorized distributors.



Medium & High Pressure Fittings and Tubing
Quick Couplings
Medium & High Pressure Valves
Line Filters
Sour Service Products
Subsea Valves
Tools and Installation Instructions
Technical Information

## Air Operator Technical Data

10N Series  
10,000 psig (690 bar)

Basic Ordering Number		System Pressure KSI (MPa)										Flow Coefficient (Cv)
		1-4 (6.9-27.6)	6 (41.4)	8 (55.2)	10 (69.0)							
10NSS-2FH9-X	Air Pressure psig (bar)	40 (2.8)	50 (3.5)	60 (4.1)	65 (4.5)							1.75
	Spring Pre-Compression in. (mm)	0.17 (4.2)	0.25 (6.3)	0.33 (8.4)	0.41 (10.5)							
	Stem Travel in. (mm)	0.26 (6.5)	0.26 (6.5)	0.26 (6.5)	0.26 (6.5)							
10NSS-2FH12-X	Air Pressure psig (bar)	45 (3.1)	50 (3.5)	60 (4.1)	70 (4.8)							2.80
	Spring Pre-Compression in. (mm)	0.23 (5.8)	0.34 (8.7)	0.46 (11.6)	0.57 (14.5)							
	Stem Travel in. (mm)	0.36 (9.2)	0.36 (9.2)	0.36 (9.2)	0.36 (9.2)							
10NSS-2FH16-X	Air Pressure psig (bar)	50 (3.5)	60 (4.1)	70 (4.8)	80 (5.5)							5.20
	Spring Pre-Compression in. (mm)	0.29 (7.4)	0.44 (11.1)	0.58 (14.8)	0.73 (18.5)							
	Stem Travel in. (mm)	0.41 (10.3)	0.41 (10.3)	0.41 (10.3)	0.41 (10.3)							
10NSS-FNS12-X	Air Pressure psig (bar)	40 (2.8)	45 (3.1)	50 (3.5)	60 (4.1)							2.09
	Spring Pre-Compression in. (mm)	0.17 (4.4)	0.26 (6.5)	0.34 (8.7)	0.43 (10.9)							
10NSS-FRT12-X	Stem Travel in. (mm)	0.36 (9.2)	0.36 (9.2)	0.36 (9.2)	0.36 (9.2)							
10NSS-FNS16-X	Air Pressure psig (bar)	45 (3.1)	50 (3.5)	60 (4.1)	65 (4.5)							4.40
	Spring Pre-Compression in. (mm)	0.20 (5.1)	0.30 (7.7)	0.41 (10.3)	0.51 (12.9)							
10NSS-FRT16-X	Stem Travel in. (mm)	0.41 (10.3)	0.41 (10.3)	0.41 (10.3)	0.41 (10.3)							

- NOTES: 1. -X: Designator of valve flow patterns. Valves are available in 6 different flow patterns (-1 to -6). For details, please refer to the FITOK Catalog for Medium & High Pressure Needle Valves.  
 2. The values of Cv shown are for 2-way straight pattern valves.  
 3. The values of Cv for 2-way angle patterns will increase by about 50% (with water).  
 4. All dimensions are for reference only and are subject to change.

Medium & High Pressure Fittings and Tubing  
 Quick Couplings  
 Medium & High Pressure Valves  
 Line Filters  
 Sour Service Products  
 Subsea Valves  
 Tools and Installation Instructions  
 Technical Information

15N Series  
15,000 psig (1034 bar)

Basic Ordering Number		System Pressure KSI (MPa)								Flow Coefficient (Cv)
		1-6 (6.9-41.4)	8 (55.2)	10 (69.0)	12 (82.7)	14 (96.5)	15 (103.4)			
15NSS-DHL2-X	Air Pressure psig (bar)	60 (4.1)	65 (4.5)	75 (5.2)	80 (5.5)	90 (6.2)	95 (6.6)			0.10
	Spring Pre-Compression in. (mm)	0.10 (2.5)	0.13 (3.3)	0.16 (4.1)	0.19 (4.9)	0.22 (5.7)	0.24 (6.1)			
	Stem Travel in. (mm)	0.14 (3.5)	0.14 (3.5)	0.14 (3.5)	0.14 (3.5)	0.14 (3.5)	0.14 (3.5)			
15NSS-DHL4-X	Air Pressure psig (bar)	50 (3.5)	55 (3.8)	60 (4.1)	65 (4.5)	70 (4.8)	75 (5.2)			0.54
	Spring Pre-Compression in. (mm)	0.11 (2.9)	0.15 (3.8)	0.19 (4.8)	0.23 (5.8)	0.26 (6.7)	0.28 (7.2)			
15NSS-DHL6-X	Stem Travel in. (mm)	0.19 (4.9)	0.19 (4.9)	0.19 (4.9)	0.19 (4.9)	0.19 (4.9)	0.19 (4.9)			0.95
15NSS-DHL8-X	Air Pressure psig (bar)	50 (3.5)	60 (4.1)	70 (4.8)	75 (5.2)	85 (5.9)	90 (6.2)			1.90
	Spring Pre-Compression in. (mm)	0.27 (6.8)	0.36 (9.1)	0.45 (11.4)	0.54 (13.6)	0.63 (15.9)	0.67 (17.0)			
	Stem Travel in. (mm)	0.26 (6.5)	0.26 (6.5)	0.26 (6.5)	0.26 (6.5)	0.26 (6.5)	0.26 (6.5)			
15NSS-FNS2-X	Air Pressure psig (bar)	60 (4.1)	65 (4.5)	75 (5.2)	80 (5.5)	90 (6.2)	95 (6.6)			0.07
	Spring Pre-Compression in. (mm)	0.10 (2.5)	0.13 (3.3)	0.16 (4.1)	0.19 (4.9)	0.22 (5.7)	0.24 (6.1)			
15NSS-FRT2-X	Stem Travel in. (mm)	0.14 (3.5)	0.14 (3.5)	0.14 (3.5)	0.14 (3.5)	0.14 (3.5)	0.14 (3.5)			
15NSS-FNS4-X	Air Pressure psig (bar)	50 (3.5)	55 (3.8)	60 (4.1)	65 (4.5)	70 (4.8)	75 (5.2)			0.47
	Spring Pre-Compression in. (mm)	0.11 (2.9)	0.15 (3.8)	0.19 (4.8)	0.23 (5.8)	0.26 (6.7)	0.28 (7.2)			
15NSS-FRT4-X	Stem Travel in. (mm)	0.19 (4.9)	0.19 (4.9)	0.19 (4.9)	0.19 (4.9)	0.19 (4.9)	0.19 (4.9)			
15NSS-FNS6-X	Air Pressure psig (bar)	50 (3.5)	55 (3.8)	60 (4.1)	65 (4.5)	70 (4.8)	75 (5.2)			0.59
	Spring Pre-Compression in. (mm)	0.11 (2.9)	0.15 (3.8)	0.19 (4.8)	0.23 (5.8)	0.26 (6.7)	0.28 (7.2)			
15NSS-FRT6-X	Stem Travel in. (mm)	0.19 (4.9)	0.19 (4.9)	0.19 (4.9)	0.19 (4.9)	0.19 (4.9)	0.19 (4.9)			
15NSS-FNS8-X	Air Pressure psig (bar)	45 (3.1)	50 (3.5)	60 (4.1)	65 (4.5)	70 (4.8)	75 (5.2)			1.04
	Spring Pre-Compression in. (mm)	0.20 (5.0)	0.26 (6.6)	0.33 (8.3)	0.39 (9.9)	0.46 (11.6)	0.49 (12.4)			
15NSS-FRT8-X	Stem Travel in. (mm)	0.26 (6.5)	0.26 (6.5)	0.26 (6.5)	0.26 (6.5)	0.26 (6.5)	0.26 (6.5)			

- NOTES: 1. -X: Designator of valve flow patterns. Valves are available in 6 different flow patterns (-1 to -6). For details, please refer to the FITOK Catalog for Medium & High Pressure Needle Valves.  
 2. The values of Cv shown are for 2-way straight pattern valves.  
 3. The values of Cv for 2-way angle patterns will increase by about 50% (with water).  
 4. All dimensions are for reference only and are subject to change.

Medium & High Pressure Fittings and Tubing

Quick Couplings

Medium & High Pressure Valves

Line Filters

Sour Service Products

Subsea Valves

Tools and Installation Instructions

Technical Information



C-43 Needle Valves and Pneumatic Needle Valves

20N Series  
20,000 psig (1379 bar)

Basic Ordering Number		System Pressure KSI (MPa)										Flow Coefficient (Cv)	
		1-4 (6.9-27.6)	6 (41.4)	8 (55.2)	10 (69.0)	12 (82.7)	14 (96.5)	16 (110.3)	18 (124.1)	20 (137.9)			
20NSS-2FH4-X	Air Pressure psig (bar)	40 (2.8)	50 (3.5)	55 (3.8)	60 (4.1)	65 (4.5)	70 (4.8)	75 (5.2)	80 (5.5)	90 (6.2)			0.29
	Spring Pre-Compression in. (mm)	0.07 (1.9)	0.11 (2.9)	0.15 (3.8)	0.19 (4.8)	0.23 (5.8)	0.26 (6.7)	0.30 (7.7)	0.34 (8.6)	0.38 (9.6)			
20NSS-2FH6-X	Stem Travel in. (mm)	0.19 (4.9)	0.19 (4.9)	0.19 (4.9)	0.19 (4.9)	0.19 (4.9)	0.19 (4.9)	0.19 (4.9)	0.19 (4.9)	0.19 (4.9)			0.62
	Air Pressure psig (bar)	40 (2.8)	45 (3.1)	50 (3.5)	60 (4.1)	65 (4.5)	70 (4.8)	75 (5.2)	80 (5.5)	90 (6.2)			
20NSS-2FH9-X	Spring Pre-Compression in. (mm)	0.13 (3.3)	0.20 (5.0)	0.26 (6.6)	0.33 (8.3)	0.39 (9.9)	0.46 (11.6)	0.52 (13.2)	0.59 (14.9)	0.65 (16.5)			1.30
	Stem Travel in. (mm)	0.26 (6.5)	0.26 (6.5)	0.26 (6.5)	0.26 (6.5)	0.26 (6.5)	0.26 (6.5)	0.26 (6.5)	0.26 (6.5)	0.26 (6.5)			
20NSS-2FH12-X	Air Pressure psig (bar)	40 (2.8)	45 (3.1)	50 (3.5)	60 (4.1)	65 (4.5)	70 (4.8)	75 (5.2)	85 (5.9)	90 (6.2)			2.41
	Spring Pre-Compression in. (mm)	0.17 (4.4)	0.26 (6.5)	0.34 (8.7)	0.43 (10.9)	0.52 (13.1)	0.60 (15.3)	0.69 (17.4)	0.77 (19.6)	0.86 (21.8)			
20NSS-2FH16-X	Stem Travel in. (mm)	0.36 (9.2)	0.36 (9.2)	0.36 (9.2)	0.36 (9.2)	0.36 (9.2)	0.36 (9.2)	0.36 (9.2)	0.36 (9.2)	0.36 (9.2)			
	Air Pressure psig (bar)	45 (3.1)	50 (3.5)	60 (4.1)	65 (4.5)	70 (4.8)	80 (5.5)	85 (5.9)	95 (6.6)	100 (6.9)			4.40
20NSS-2FH16-X	Spring Pre-Compression in. (mm)	0.20 (5.1)	0.30 (7.7)	0.41 (10.3)	0.51 (12.9)	0.61 (15.4)	0.71 (18.0)	0.81 (20.6)	0.91 (23.1)	1.01 (25.7)			
	20NSS-2FH16-X	Stem Travel in. (mm)	0.41 (10.3)	0.41 (10.3)	0.41 (10.3)	0.41 (10.3)	0.41 (10.3)	0.41 (10.3)	0.41 (10.3)	0.41 (10.3)	0.41 (10.3)		

- NOTES: 1. -X: Designator of valve flow patterns. Valves are available in 6 different flow patterns (-1 to -6). For details, please refer to the FITOK Catalog for Medium & High Pressure Needle Valves.  
 2. The values of Cv shown are for 2-way straight pattern valves.  
 3. The values of Cv for 2-way angle patterns will increase by about 50% (with water).  
 4. All dimensions are for reference only and are subject to change.

30N Series  
30,000 psig (2068 bar)

Basic Ordering Number		System Pressure KSI (MPa)										Flow Coefficient (Cv)	
		1-10 (6.9-69.0)	12 (82.7)	14 (96.5)	16 (110.3)	18 (124.1)	20 (137.9)	22 (151.7)	24 (165.5)	26 (179.3)	28 (193.1)		30 (206.8)
30NSS-6FH4-X	Air Pressure psig (bar)	55 (3.8)	60 (4.1)	65 (4.5)	65 (4.5)	70 (4.8)	75 (5.2)	80 (5.5)	85 (5.9)	90 (6.2)	95 (6.6)	100 (6.9)	0.12
30NSS-6FH6-X	Spring Pre-Compression in. (mm)	0.14 (3.8)	0.18 (4.6)	0.21 (5.4)	0.24 (6.1)	0.27 (6.9)	0.30 (7.7)	0.33 (8.4)	0.36 (9.2)	0.39 (10)	0.42 (10.7)	0.45 (11.5)	0.22
30NSS-6FH9-X	Stem Travel in. (mm)	0.19 (4.9)	0.19 (4.9)	0.19 (4.9)	0.19 (4.9)	0.19 (4.9)	0.19 (4.9)	0.19 (4.9)	0.19 (4.9)	0.19 (4.9)	0.19 (4.9)	0.19 (4.9)	0.31

- NOTES: 1. -X: Designator of valve flow patterns. Valves are available in 6 different flow patterns (-1 to -6). For details, please refer to the FITOK Catalog for Medium & High Pressure Needle Valves.  
 2. The values of Cv shown are for 2-way straight pattern valves.  
 3. The values of Cv for 2-way angle patterns will increase by about 50% (with water).  
 4. All dimensions are for reference only and are subject to change.

60N Series  
60,000 psig (4137 bar)

Basic Ordering Number		System Pressure KSI (MPa)										Flow Coefficient (Cv)	
		1-15 (6.9-103.4)	20 (137.9)	25 (172.4)	30 (206.8)	35 (241.3)	40 (275.8)	45 (310.3)	50 (344.7)	55 (379.2)	60 (413.7)		
60NSS-6FH4-X	Air Pressure psig (bar)	55 (3.8)	65 (4.5)	65 (4.5)	75 (5.2)	75 (5.2)	85 (5.9)	95 (6.6)	95 (6.6)	95 (6.6)	95 (6.6)		0.08
60NSS-6FH6-X	Spring Pre-Compression in. (mm)	0.12 (3.2)	0.19 (4.8)	0.19 (4.8)	0.25 (6.4)	0.25 (6.4)	0.31 (7.9)	0.38 (9.7)	0.38 (9.7)	0.44 (11.2)	0.50 (12.7)		0.09
60NSS-6FH9-X	Stem Travel in. (mm)	0.19 (4.9)	0.19 (4.9)	0.19 (4.9)	0.19 (4.9)	0.19 (4.9)	0.19 (4.9)	0.19 (4.9)	0.19 (4.9)	0.19 (4.9)	0.13 (3.2)		0.14

- NOTES: 1. -X: Designator of valve flow patterns. Valves are available in 6 different flow patterns (-1 to -6). For details, please refer to the FITOK Catalog for Medium & High Pressure Needle Valves.  
 2. The values of Cv shown are for 2-way straight pattern valves.  
 3. The values of Cv for 2-way angle patterns will increase by about 50% (with water).  
 4. All dimensions are for reference only and are subject to change.

Medium & High Pressure Fittings and Tubing
Quick Couplings
Medium & High Pressure Valves
Line Filters
Sour Service Products
Subsea Valves
Tools and Installation Instructions
Technical Information

# Piston Style Pneumatic Needle Valves

## Air to Close (Normally Open)

### Features

- ⦿ Small and compact piston actuator
- ⦿ Air-to-close with spring return
- ⦿ Positive shut-off with metal-to-metal seating
- ⦿ Yoke design for separation of process and air pressure
- ⦿ Easy stem replacement
- ⦿ Standard stem position indicator
- ⦿ High actuator cycle life
- ⦿ Anodized aluminum actuator to provide good corrosion and wear resistance
- ⦿ Tested to 100,000 cycles at 100 psig ( 6.9 bar) with no leakage, no signs of wear or fatigue

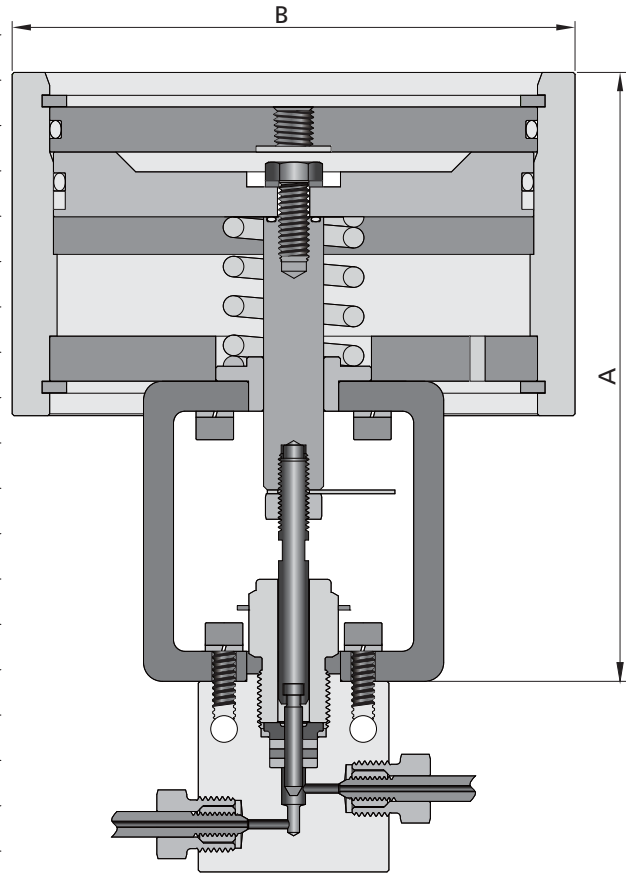
### Technical Data

Maximum working pressure for air operator		100 psig (6.9 bar)
Air operator temperature range		-10°F~200°F (-23°C~93°C)
Air operator material	Cylinder, piston, cover plates, spring housing	Anodized Aluminum
	Yoke	Stainless Steel
	O-ring	NBR
Air inlet connection		1/8" or 3/8" Female NPT

Medium & High Pressure Fittings and Tubing
Quick Couplings
Medium & High Pressure Valves
Line Filters
Sour Service Products
Subsea Valves
Tools and Installation Instructions
Technical Information

## Dimensions

Basic Ordering Number	Air Inlet Connection	Area of Piston sq.in. (sq. cm)	A in. (mm)	B in. (mm)	
10NSS-2FH9-X	1/8" NPT	51.20 (330.3)	8.27 (210.0)	6.54 (166.0)	
10NSS-2FH12-X		92.58 (597.3)	10.55 (268.0)	8.58 (218.0)	
10NSS-2FH16-X	3/8" NPT	112.55 (726.1)	12.77 (324.4)	9.57 (243.0)	
10NSS-FNS12-X	1/8" NPT	92.58 (597.3)	10.55 (268.0)	8.58 (218.0)	
10NSS-FRT12-X		92.58 (597.3)	10.55 (268.0)	8.58 (218.0)	
10NSS-FNS16-X	3/8" NPT	112.55 (726.1)	12.77 (324.4)	9.57 (243.0)	
10NSS-FRT16-X		112.55 (726.1)	12.77 (324.4)	9.57 (243.0)	
15NSS-DHL2-X	1/8" NPT	7.79 (50.3)	8.56 (217.3)	3.62 (92.0)	
15NSS-DHL4-X		19.95 (128.7)	5.94 (151.0)	5.75 (146.0)	
15NSS-DHL6-X		19.95 (128.7)	5.94 (151.0)	5.75 (146.0)	
15NSS-DHL8-X		51.20 (330.3)	8.27 (210.0)	6.54 (166.0)	
15NSS-FNS2-X		7.79 (50.3)	8.56 (217.3)	3.62 (92.0)	
15NSS-FRT2-X		7.79 (50.3)	8.56 (217.3)	3.62 (92.0)	
15NSS-FNS4-X		19.95 (128.7)	5.94 (151.0)	5.75 (146.0)	
15NSS-FRT4-X		19.95 (128.7)	5.94 (151.0)	5.75 (146.0)	
15NSS-FNS6-X		19.95 (128.7)	5.94 (151.0)	5.75 (146.0)	
15NSS-FRT6-X		19.95 (128.7)	5.94 (151.0)	5.75 (146.0)	
15NSS-FNS8-X		51.20 (330.3)	8.27 (210.0)	6.54 (166.0)	
15NSS-FRT8-X		51.20 (330.3)	8.27 (210.0)	6.54 (166.0)	
20NSS-2FH4-X		19.95 (128.7)	5.94 (151.0)	5.75 (146.0)	
20NSS-2FH6-X		19.95 (128.7)	5.94 (151.0)	5.75 (146.0)	
20NSS-2FH9-X		51.20 (330.3)	8.27 (210.0)	6.54 (166.0)	
20NSS-2FH12-X		92.58 (597.3)	10.55 (268.0)	8.58 (218.0)	
20NSS-2FH16-X		3/8" NPT	112.55 (726.1)	12.77 (324.4)	9.57 (243.0)
30NSS-6FH4-X		1/8" NPT	19.95 (128.7)	5.94 (151.0)	5.75 (146.0)
30NSS-6FH6-X	19.95 (128.7)		5.94 (151.0)	5.75 (146.0)	
30NSS-6FH9-X	19.95 (128.7)		5.94 (151.0)	5.75 (146.0)	
60NSS-6FH4-X	19.95 (128.7)		5.94 (151.0)	5.75 (146.0)	
60NSS-6FH6-X	19.95 (128.7)		5.94 (151.0)	5.75 (146.0)	
60NSS-6FH9-X		19.95 (128.7)	5.94 (151.0)	5.75 (146.0)	



NOTE: All dimensions are for reference only and are subject to change. For dimensions not shown above, please contact FITOK Group or our authorized distributors.

Medium & High Pressure Fittings and Tubing

Quick Couplings

Medium & High Pressure Valves

Line Filters

Sour Service Products

Subsea Valves

Tools and Installation Instructions

Technical Information

## Air Operator Technical Data

### 10N Series

10,000 psig (690 bar)

Basic Ordering Number		System Pressure KSI (MPa)								Stem Travel in. (mm)	Flow Coefficient (Cv)
		1-4 (6.9-27.6)	6 (41.4)	8 (55.2)	10 (69.0)						
10NSS-2FH9-X	Air Pressure psig (bar)	25 (1.7)	35 (2.4)	40 (2.8)	50 (3.5)					0.24 (6.0)	1.75
10NSS-2FH12-X	Air Pressure psig (bar)	25 (1.7)	35 (2.4)	45 (3.1)	50 (3.5)					0.35 (9.0)	2.80
10NSS-2FH16-X	Air Pressure psig (bar)	30 (2.1)	40 (2.8)	50 (3.5)	60 (4.2)					0.39 (10.0)	5.20
10NSS-FNS12-X 10NSS-FRT12-X	Air Pressure psig (bar)	25 (1.7)	30 (2.1)	35 (2.4)	40 (2.8)					0.35 (9.0)	2.09
10NSS-FNS16-X 10NSS-FRT16-X	Air Pressure psig (bar)	25 (1.7)	30 (2.1)	40 (2.8)	45 (3.1)					0.39 (10.0)	3.40

- NOTES: 1. -X: Designator of valve flow patterns. Valves are available in 6 different flow patterns (-1 to -6). For details please refer to the FITOK Catalog for Medium & High Pressure Needle Valves.  
 2. The values of Cv shown are for 2-way straight pattern valves.  
 3. The values of Cv for 2-way angle patterns will increase by about 50% (with water).  
 4. All dimensions are for reference only and are subject to change.

### 15N Series

15,000 psig (1034 bar)

Basic Ordering Number		System Pressure KSI (MPa)								Stem Travel in. (mm)	Flow Coefficient (Cv)	
		1-4 (6.9-27.6)	6 (41.4)	8 (55.2)	10 (69.0)	12 (82.7)	14 (96.5)	15 (103.4)				
15NSS-DHL2-X	Air Pressure psig (bar)	45 (3.1)	55 (3.8)	60 (4.2)	70 (4.8)	75 (5.2)	85 (5.9)	90 (6.2)			0.12 (3.0)	0.10
15NSS-DHL4-X 15NSS-DHL6-X	Air Pressure psig (bar)	30 (2.1)	35 (2.4)	40 (2.8)	50 (3.5)	55 (3.8)	60 (4.2)	60 (4.2)			0.19 (4.9)	0.54 0.95
15NSS-DHL8-X	Air Pressure psig (bar)	25 (1.7)	35 (2.4)	45 (3.1)	50 (3.5)	60 (4.2)	70 (4.8)	75 (5.2)			0.24 (6.0)	1.90
15NSS-FNS2-X 15NSS-FRT2-X	Air Pressure psig (bar)	65 (4.5)	75 (5.2)	80 (5.5)	90 (6.2)	95 (6.6)	100 (6.9)	100 (6.9)			0.12 (3.0)	0.07
15NSS-FNS4-X 15NSS-FRT4-X	Air Pressure psig (bar)	30 (2.1)	35 (2.4)	40 (2.8)	50 (3.5)	55 (3.8)	60 (4.2)	60 (4.2)			0.19 (4.9)	0.47
15NSS-FNS6-X 15NSS-FRT6-X	Air Pressure psig (bar)	30 (2.1)	35 (2.4)	40 (2.8)	50 (3.5)	55 (3.8)	60 (4.2)	60 (4.2)			0.19 (4.9)	0.59
15NSS-FNS8-X 15NSS-FRT8-X	Air Pressure psig (bar)	20 (1.4)	30 (2.1)	35 (2.4)	40 (2.8)	45 (3.1)	55 (3.8)	55 (3.8)			0.24 (6.0)	1.04

- NOTES: 1. -X: Designator of valve flow patterns. Valves are available in 6 different flow patterns (-1 to -6). For details, please refer to the FITOK Catalog for Medium & High Pressure Needle Valves.  
 2. The values of Cv shown are for 2-way straight pattern valves.  
 3. The values of Cv for 2-way angle patterns will increase by about 50% (with water).  
 4. All dimensions are for reference only and are subject to change.

Medium & High Pressure Fittings and Tubing  
 Quick Couplings  
 Medium & High Pressure Valves  
 Line Filters  
 Sour Service Products  
 Subsea Valves  
 Tools and Installation Instructions  
 Technical Information

20N Series  
20,000 psig (1379 bar)

Basic Ordering Number		System Pressure KSI (MPa)										Stem Travel in. (mm)	Flow Coefficient (Cv)
		1-4 (6.9-27.6)	6 (41.4)	8 (55.2)	10 (69.0)	12 (82.7)	14 (96.5)	16 (110.3)	18 (124.1)	20 (137.9)			
20NSS-2FH4-X	Air Pressure psig (bar)	30	35	40	50	55	60	65	70	75		0.19 (4.9)	0.29
20NSS-2FH6-X		(2.1)	(2.4)	(2.8)	(3.5)	(3.8)	(4.2)	(4.5)	(4.8)	(5.2)			0.62
20NSS-2FH9-X	Air Pressure psig (bar)	20	30	35	40	45	55	60	65	70		0.24 (6.0)	1.30
20NSS-2FH12-X	Air Pressure psig (bar)	25	30	35	40	45	55	60	65	70		0.35 (9.0)	2.41
20NSS-2FH16-X	Air Pressure psig (bar)	25	30	40	45	55	60	65	75	80		0.39 (10.0)	3.40

- NOTES: 1. -X: Designator of valve flow patterns. Valves are available in 6 different flow patterns (-1 to -6). For details, please refer to the FITOK Catalog for Medium & High Pressure Needle Valves.  
 2. The values of Cv shown are for 2-way straight pattern valves.  
 3. The values of Cv for 2-way angle patterns will increase by about 50% (with water).  
 4. All dimensions are for reference only and are subject to change.

30N Series  
30,000 psig (2068 bar)

Basic Ordering Number		System Pressure KSI (MPa)										Stem Travel in. (mm)	Flow Coefficient (Cv)
		1-12 (6.9-82.7)	14 (96.5)	16 (110.3)	18 (124.1)	20 (137.9)	22 (151.7)	24 (165.7)	26 (179.3)	28 (193.1)	30 (206.8)		
30NSS-6FH4-X	Air Pressure psig (bar)	45	50	55	60	65	70	75	80	85	85	0.19 (4.9)	0.12
30NSS-6FH6-X		(3.1)	(3.5)	(3.8)	(4.1)	(4.5)	(4.8)	(5.2)	(5.5)	(5.9)	(5.9)		0.22
30NSS-6FH9-X													0.31

- NOTES: 1. -X: Designator of valve flow patterns. Valves are available in 6 different flow patterns (-1 to -6). For details, please refer to the FITOK Catalog for Medium & High Pressure Needle Valves.  
 2. The values of Cv shown are for 2-way straight pattern valves.  
 3. The values of Cv for 2-way angle patterns will increase by about 50% (with water).  
 4. All dimensions are for reference only and are subject to change.

60N Series  
60,000 psig (4137 bar)

Basic Ordering Number		System Pressure KSI (MPa)										Stem Travel in. (mm)	Flow Coefficient (Cv)
		1-20 (6.9-137.9)	25 (172.4)	30 (206.8)	35 (241.3)	40 (275.8)	45 (310.3)	50 (344.7)	55 (379.2)	60 (413.7)			
60NSS-6FH4-X	Air Pressure psig (bar)	35	40	50	55	65	70	75	85	90		0.19 (4.9)	0.08
60NSS-6FH6-X		(2.4)	(2.8)	(3.5)	(3.8)	(4.5)	(4.8)	(5.2)	(5.9)	(6.2)			0.09
60NSS-6FH9-X													0.14

- NOTES: 1. -X: Designator of valve flow patterns. Valves are available in 6 different flow patterns (-1 to -6). For details, please refer to the FITOK Catalog for Medium & High Pressure Needle Valves.  
 2. The values of Cv shown are for 2-way straight pattern valves.  
 3. The values of Cv for 2-way angle patterns will increase by about 50% (with water).  
 4. All dimensions are for reference only and are subject to change.

Medium & High Pressure Fittings and Tubing  
 Quick Couplings  
 Medium & High Pressure Valves  
 Line Filters  
 Sour Service Products  
 Subsea Valves  
 Tools and Installation Instructions  
 Technical Information

## Ordering Number Description

15NSS - DHL4 - RG2 - ATO

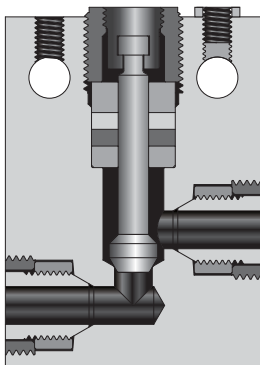
Series	Body Material	Connection Type	Connection Size	Stem Tip	Packing	Flow Pattern	Pneumatic Actuator Type
10N	SS 316 SS	For 10N Series		Vee	PTFE	1 Straight	None
15N		2FH Female MP	2 1/8"			2 Angle	
20N		FNS Female NPT	4 1/4"	R Regulating	Nylon (60N Only)	3 Angle / Replaceable Seat	ATO Air to Open (Normally Closed)
30N	FRT Female ISO/BSP Tapered	6 3/8"	TG RPTFE Glass			4 3-way / 2 on Pressure	ATC Air to Close (Normally Open)
60N	For 15N Series			8 1/2"	G Graphite (10N, 15N and 20N Series Only)	5 3-way / 1 on Pressure	
	DHL Female DHL Series	9 9/16"	12 3/4"	HT Extended stuffing box with Graphite (10N and 20N Only)		6 3-way / 2-Stem Manifold	
	FNS Female NPT	16 1"					
	FRT Female ISO/BSP Tapered						
	For 20N Series						
	2FH Female MP						
	For 30N/60N Series						
	6FH Female HP						

NOTES: 1. "Ordering Number Description" is a reference to understand the combination rules of FITOK product part number. Not all combinations are available.

2. Pneumatic needle valves are open/closed valves, and will not regulate flow. Ordering pneumatic valve models with regulating stems is not recommended.

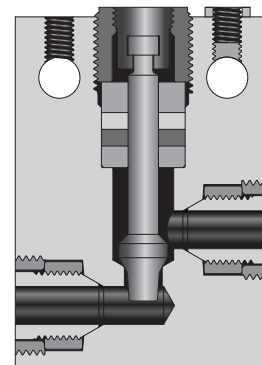
## Stem Types

Two types of stems are offered by FITOK: Vee and Regulating. Both Vee and Regulating stems are interchangeable on most valves and provide bubble-tight shut-off against liquids and gases.



### Vee Stem

The Vee stem is used for direct on-off, metal-to-metal shut-off with quick-opening flow characteristics.



### Regulating Stem

In some applications, more precise flow control is required than is possible with a Vee stem. For these cases, FITOK offers a non-rotating, two-piece regulating stem which can be used for both control and shut-off.

## **FITOK Group**

### **FITOK GmbH (Headquarter)**

Sprendlinger Landstr. 115, 63069 Offenbach am Main, Germany  
Tel.: +49 69 8900 4498 Fax: +49 69 8900 4495

### **FITOK, Inc.**

13843 North Promenade Blvd., Suite 750, Stafford, Texas 77477, USA  
Tel.: +1 281 888 0077 Fax: +1 281 582 4051

### **FITOK Incorporated**

Block C, Zone E, Yingtai Industrial Park, Dalang Street,  
Longhua New District, Shenzhen, 518109, China  
Tel.: +86 755 2803 2500 Fax: +86 755 2803 2619

### **FITOK Middle East Oil Equipment Trading LLC**

208-209, Makateb Building, Airport Road, P.O.Box 185412, Deira, Dubai, UAE  
Tel.: +971 4 2959 853 Fax: +971 4 2959 854

[info@fitokgroup.com](mailto:info@fitokgroup.com)  
[www.fitokgroup.com](http://www.fitokgroup.com)

FK-IC-HV-02-EN-170505