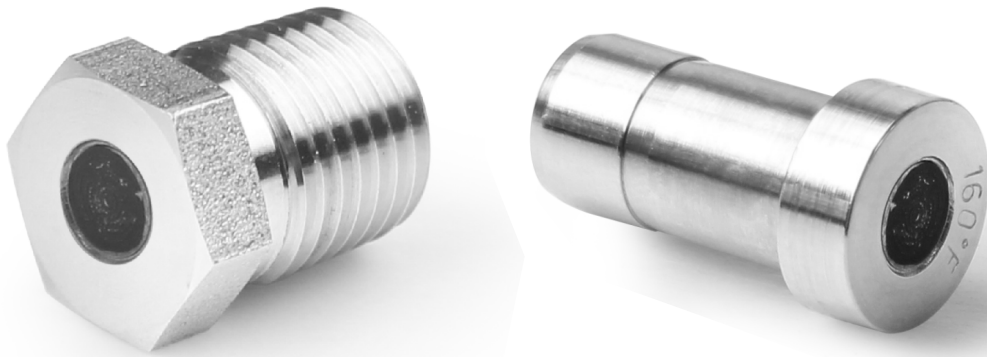


# Fusible Fittings

GFPP, GFTA Series



**FITOK**

[www.fitokgroup.com](http://www.fitokgroup.com)

## 1 Fusible Fittings

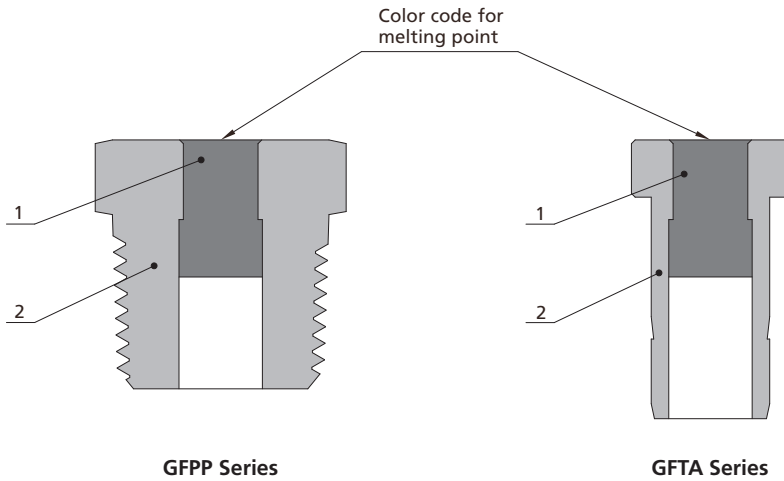
### Application

Fusible fittings are pressure relief devices consisting of the body and the eutectic alloy. The eutectic alloy has a specific melting point. When the fitting is exposed to temperatures at or above this melting point, the eutectic alloy will melt and the pressure inside the fitting will be released to the atmosphere for protection of systems. The fusible fittings are mainly installed onto compression cylinders, oil and liquified gas pipelines and stem boilers.

### Features

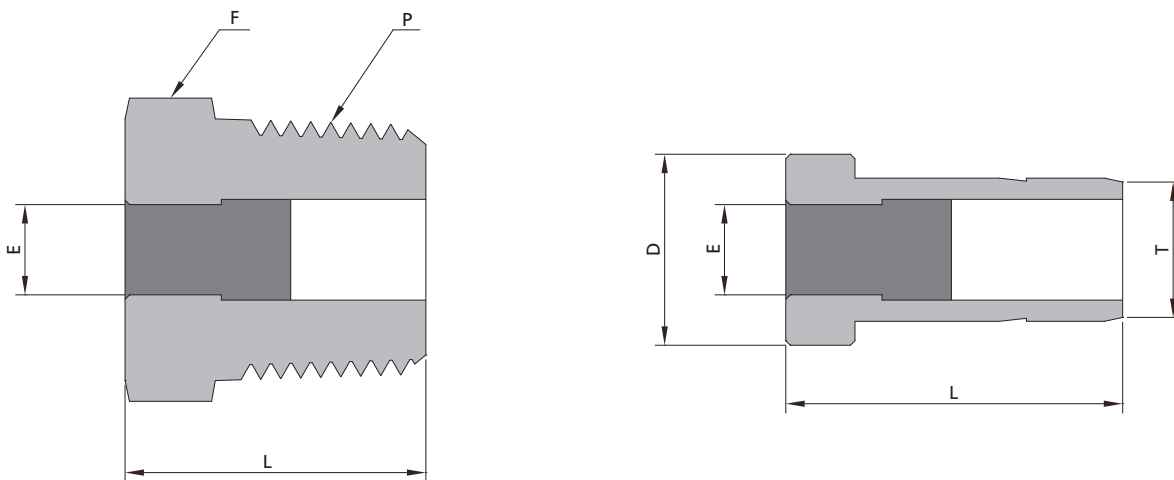
- ⦿ Eutectic alloy is filled in the stainless plug
- ⦿ Fusible fittings are non-reusable and disassembled pressure relief devices
- ⦿ Maximum operating pressure: Tested to 500 psi (3.4 MPa)
- ⦿ Temperature rating from 160°F (71°C) to 281°F (138°C) with 4 temperature ranges
- ⦿ Two types of fusible fittings: Pipe plugs and tube adapters

### Construction



Item	Component	Material
1	Eutectic alloy	
2	Body	Stainless steel

## Dimensions



### GFPP Series

Basic Ordering No.	Pipe Size (P)	Dimensions, in. (mm)		
		L	E	F (Hex.)
□□-GFPP-4-□□□	1/4 NPT	0.95 (24.1)	0.25 (6.4)	9/16 (14.29)
□□-GFPP-6-□□□	3/8 NPT	1.06 (26.9)	0.25 (6.4)	11/16 (17.46)
□□-GFPP-8-□□□	1/2 NPT	1.20 (30.5)	0.34 (8.7)	7/8 (22.23)

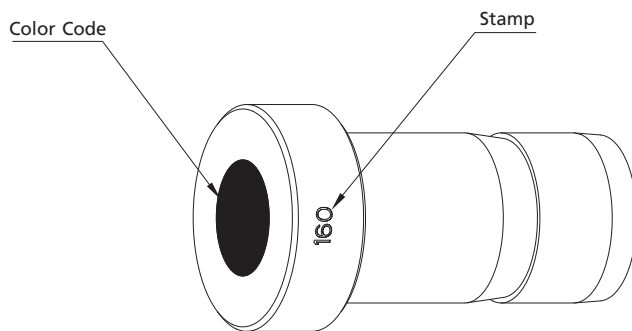
### GFTA Series

Basic Ordering No.	Tube O.D. (T)	Dimensions, in. (mm)		
		L	E	D
□□-GFTA-4-□□□	1/4	0.81 (20.6)	0.17 (4.3)	3/8 (9.53)
□□-GFTA-6-□□□	3/8	0.88 (22.4)	0.25 (6.4)	1/2 (12.70)
□□-GFTA-8-□□□	1/2	1.12 (28.4)	0.25 (6.4)	5/8 (15.88)

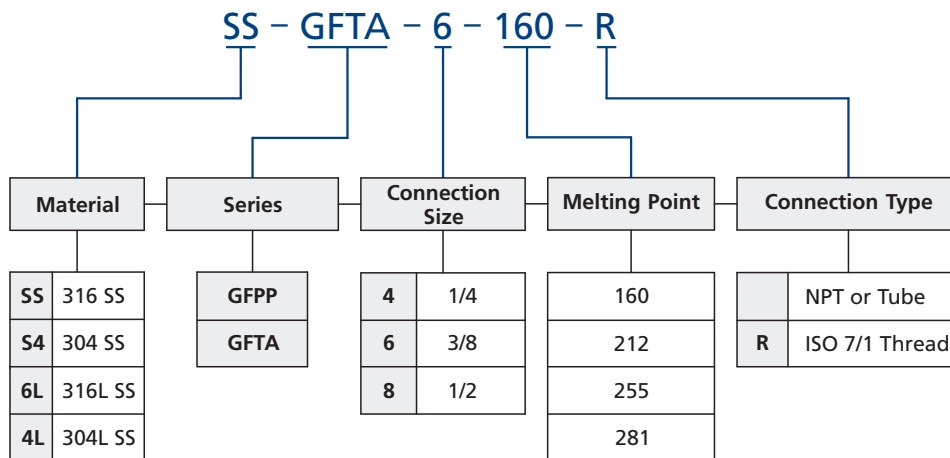
Dimensions, in inches (mm), are for reference only and are subject to change.  
 ISO 7/1 Tapered Threads (RT) are available for all fractional sizes of GFPP Series, add "-R" as a suffix to the basic ordering number.

## Fusible alloy option with different melting point

Designator	Stamp	Color Code	Melting Point °F (°C)	
			°F	°C
160	160	Black	160	71
212	212	Orange	212	100
255	255	Green	255	124
281	281	Red	281	138



## Ordering Number Description



Note: "Ordering Number Description" is a reference to understand the combination rules of FITOK product part number. Not all combinations are available.

## **FITOK Group**

### **FITOK GmbH (Headquarter)**

Sprendlinger Landstr. 115, 63069 Offenbach am Main, Germany  
Tel.: +49 69 8900 4498 Fax: +49 69 8900 4495

### **FITOK, Inc.**

13843 North Promenade Blvd., Suite 750, Stafford, Texas 77477, USA  
Tel.: +1 281 888 0077 Fax: +1 281 582 4051

### **FITOK Incorporated**

1-4F, Block C, Zone E, Yingtai Industrial Park, Dalang Street,  
Longhua District, Shenzhen, 518109, China  
Tel.: +86 755 2803 2500 Fax: +86 755 2803 2619

### **FITOK Middle East Oil Equipment Trading LLC**

208-209, Makateb Building, Airport Road, P.O.Box 185412, Deira, Dubai, UAE  
Tel.: +971 4 2959 853 Fax: +971 4 2959 854

[info@fitokgroup.com](mailto:info@fitokgroup.com)  
[www.fitokgroup.com](http://www.fitokgroup.com)

FK-IC-GF-07-EN-180301