

Line Pressure Regulators

FLR-3 Series Medium Flow Diaphragm Regulators

Features

- For high inlet pressure applications
- Balanced poppet
- With large orifice to minimize outlet pressure change when inlet pressure reduces
- Large diameter convoluted diaphragm to increase pressure sensitivity
- 316L SS body for corrosive or toxic gases, Brass body for non-corrosive gases
- With special cleaning and packaging, applicable to oxygen-enriched environments
- Three porting configurations available
- Panel mounted or installed with screws at the bottom
- Fitted with captured vent as standard

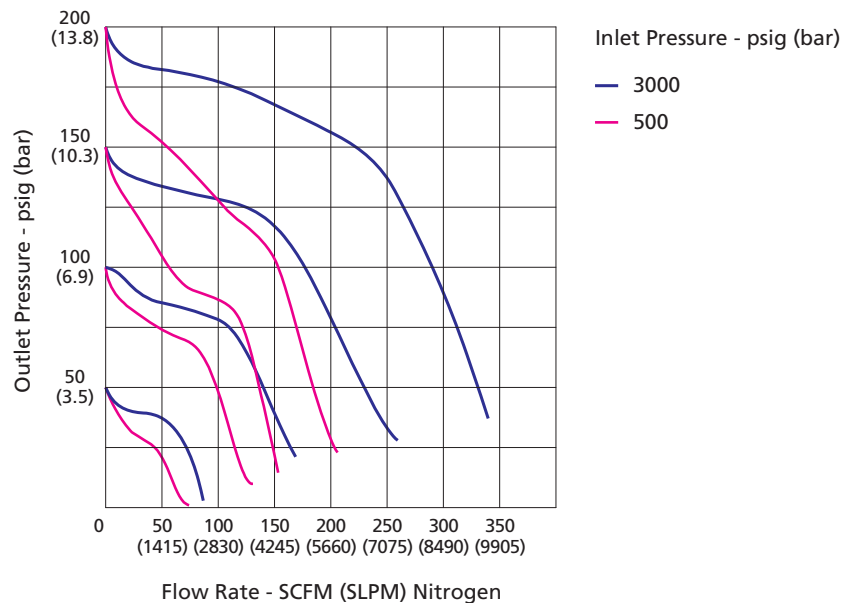


Model: FLR-3SS-30-100-04-04-Z

Technical Data

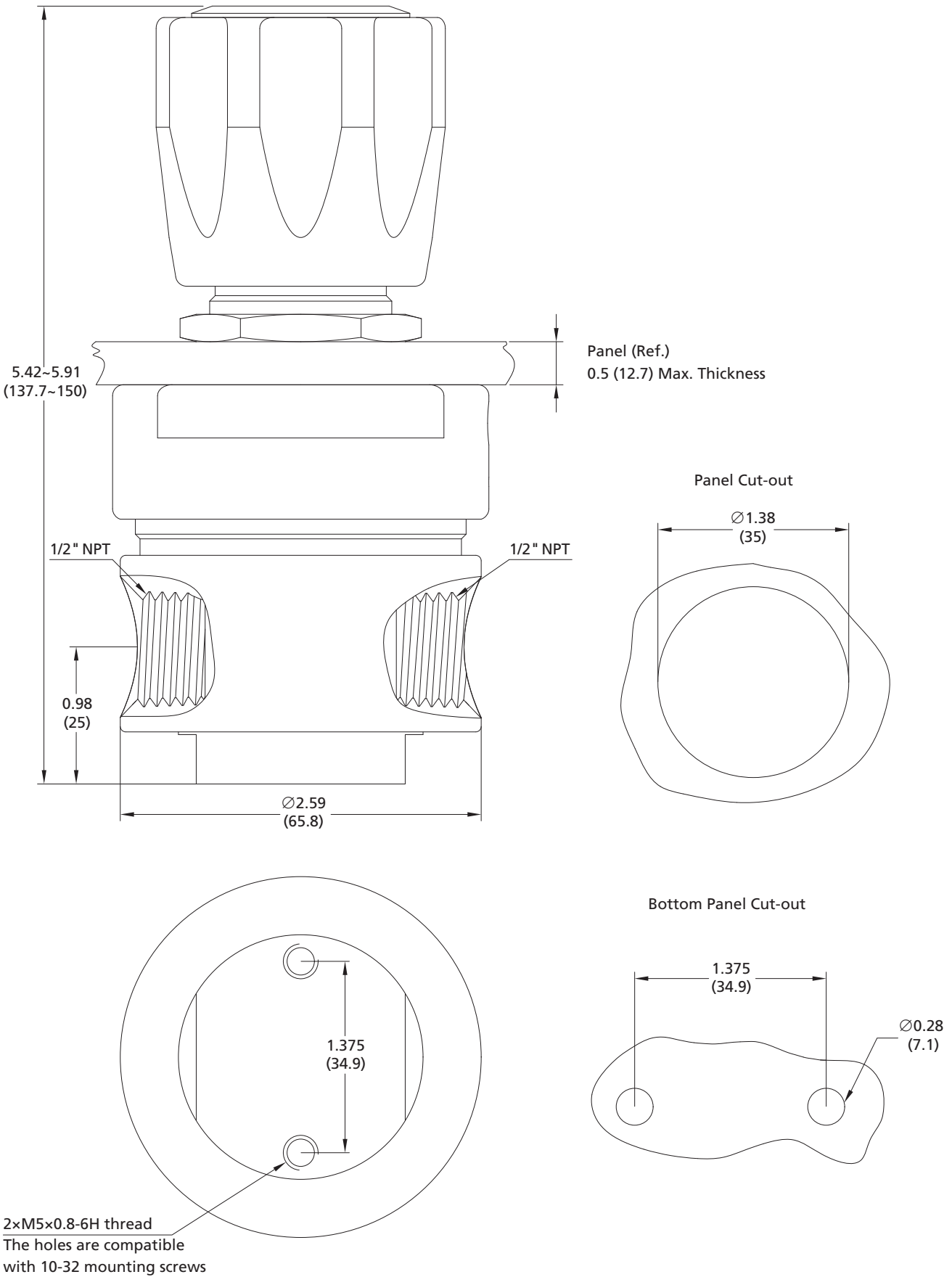
- Single-stage regulator
- Maximum inlet pressure: 500 or 3000 psig
- Outlet pressure range: 0~25, 0~50, 0~100, 0~150 or 0~200 psig
- Material of the internal components:
 - Seat: PCTFE
 - Diaphragm: Hastelloy
- Temperature: -40°F~+140°F (-40°C~+60°C)
- Leak rates:
 - Internal: Bubble-tight
 - External: $\leq 1 \times 10^{-9}$ mbar·l/s helium
- Flow coefficient (Cv): 1.0
- Weight (regulator only): ≈ 3.53 lbs (1.6 kg)
- Body ports: 1/2" female NPT for inlet, outlet
1/4" female NPT for gauge

Typical Flow Chart

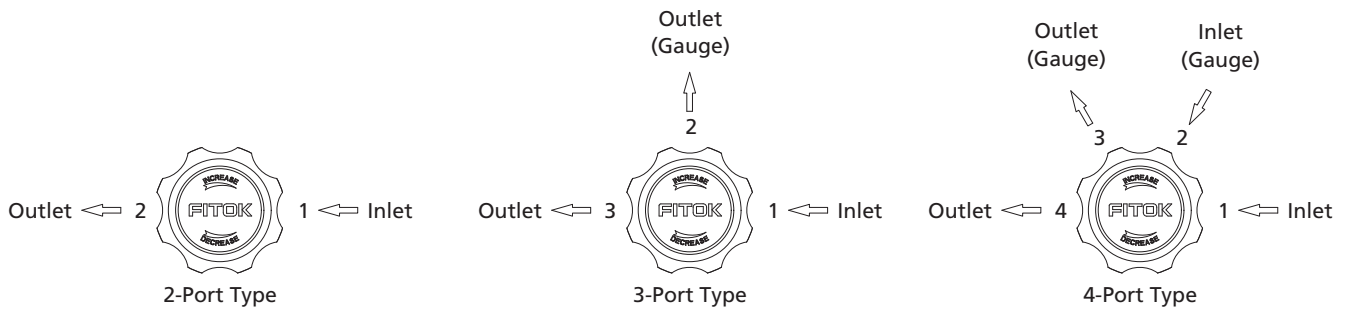


Dimensions

Dimensions, in inches (millimeters), are for reference only.



Porting Configurations



Part Number Description

FLR - 3B - 30 - 100 - 04 - B - B - 04 - Z

Body Material		Inlet Pressure P1		Connection 1		Connection 2		Connection 3		Connection 4	
6L	316L SS	05	500 psig	04	1/2" Female NPT	B	With Gauge (psi/bar)	3 Ports Same as Connection 1		Same as Connection 1	
SS	316 SS	30	3000 psig	11	3/8" Tube Fitting	M	With Gauge (MPa)	4 Ports Same as Connection 2			
B	Brass			12	1/2" Tube Fitting	P	Plug				
				22	10 mm Tube Fitting	00	1/4" Female NPT				
				23	12 mm Tube Fitting	01	1/4" Male NPT				
				Other connections are available upon request		10	1/4" Tube Fitting				
						11	3/8" Tube Fitting				
						20	6 mm Tube Fitting				
						21	8 mm Tube Fitting				
						Other connections are available upon request					
										Installation Type	
										Not Required	
										Z Installed with One Panel Nut	
										M Installed with Two Panel Nuts	
										N Installed with Screws at the Bottom	

Note: Most configurations are available.

Examples of part number:

a. 2-port type (1 in, 1 out): FLR-36L-30-150-04-04

b. 3-port type (1 in, 2 out): FLR-3SS-05-200-04-00-04