

Changeover Systems

FDR-2 Series Manual Changeover System (up to 2500 psig)

Features

- ⦿ A small manual changeover system with a regulator similar to FCR-2 Series Regulators
- ⦿ Connecting with two independent gas sources at a time, gas sources switched through diaphragm valves
- ⦿ Applicable to non-corrosive gases
- ⦿ Venting model available
- ⦿ Anodized Aluminium panel

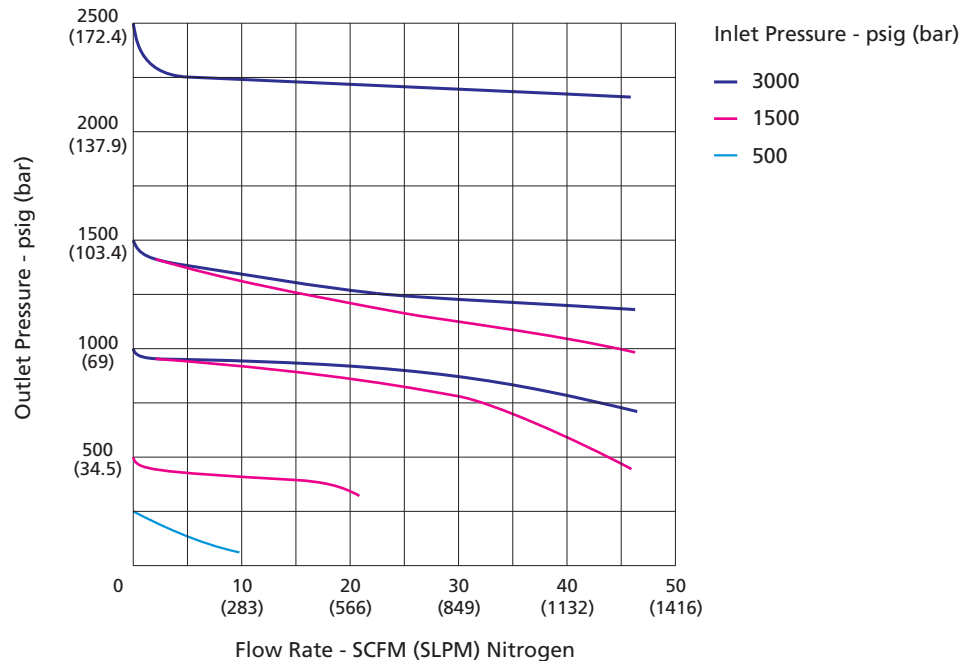


Model: FDR-2VSS-45-2500-00-B-B-01-00

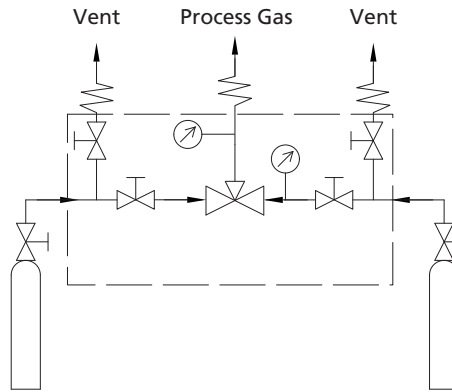
Technical Data

- ⦿ Maximum inlet pressure: 3000 or 4500 psig
- ⦿ Outlet pressure range: 0~750, 0~1500 or 0~2500 psig
- ⦿ Material of the main components:
 - Seat: PCTFE (regulator and diaphragm valve)
 - Piston: 316L
 - Diaphragm: Elgiloy (diaphragm valve)
 - Diaphragm valve body: 316L
 - O-ring: Viton or Kalrez
 - Filter: 316L
- ⦿ Temperature: -10°F~+150°F (-23°C~+65°C)
- ⦿ Leak rates:
 - Internal: Bubble-tight
 - External: Bubble-tight
- ⦿ Flow coefficient (regulator Cv):
 - Without vent: 0.06
 - Vent: 0.1

Typical Flow Chart

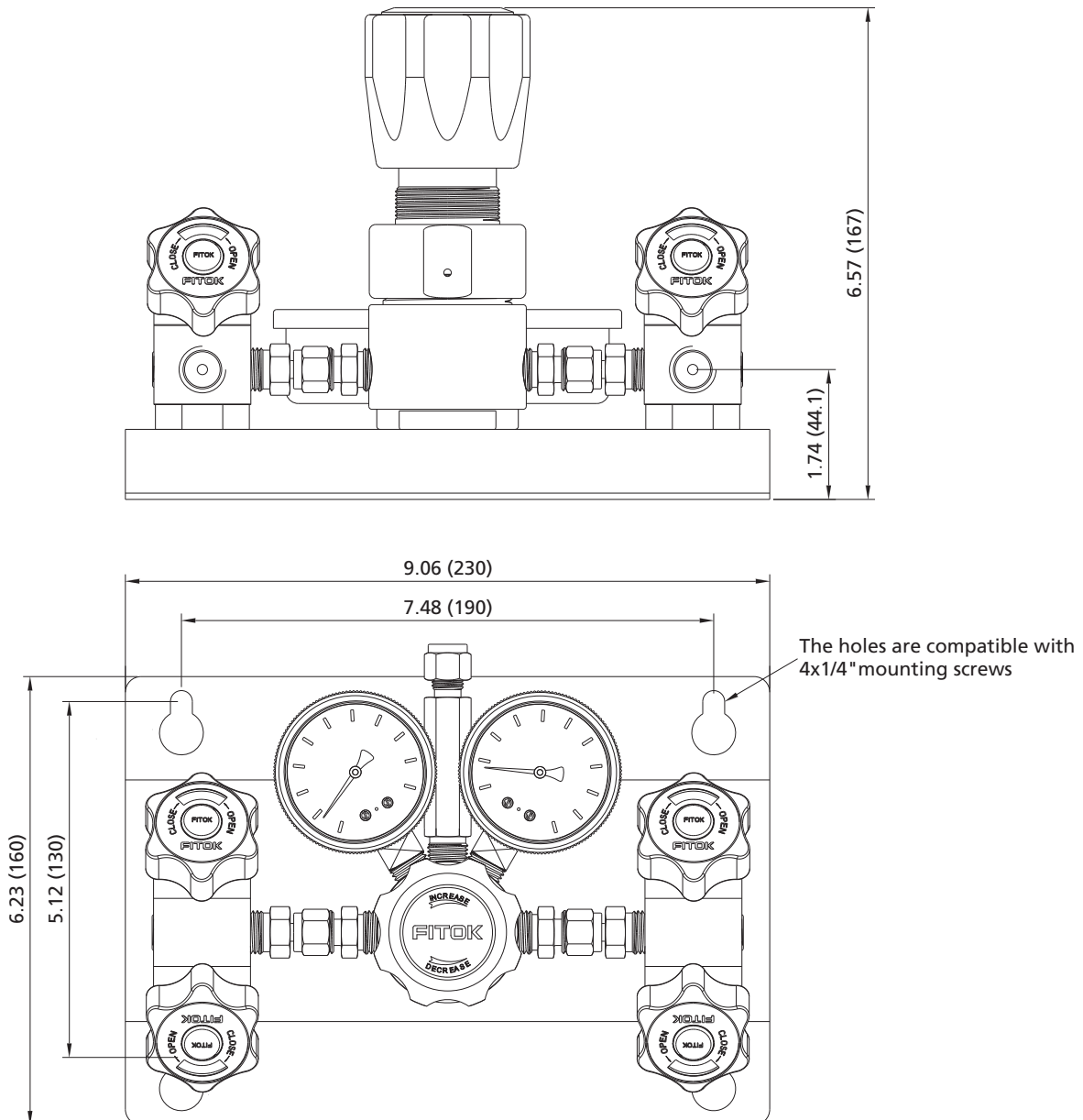


Flow Schematic

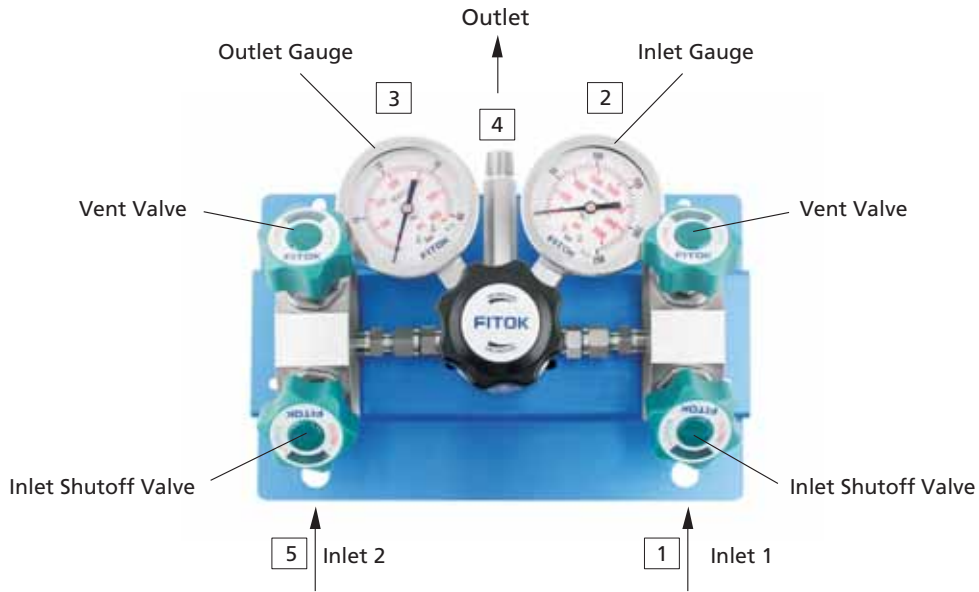


Dimensions

Dimensions, in inches (millimeters), are for reference only.



Components Introduction



Part Number Description

FDR - 2V Z 6L - 30 - 750 - 00 - B - B - 01 - 00

Vent Option	Inlet Pressure P1	Connection 1	Connection 2	Connection 4	Connection 5
Without	30 3000 psig	00 1/4" Female NPT	B With Gauge (psi/bar)	00 1/4" Female NPT	Same as Connection 1
V With	45 4500 psig	01 1/4" Male NPT	M With Gauge (MPa)	01 1/4" Male NPT	
O-ring Material	Outlet Pressure Range P2	10 1/4" Tube Fitting	P Plug	10 1/4" Tube Fitting	Other connections are available upon request
Viton	750 0~750 psig	11 3/8" Tube Fitting	00 1/4" Female NPT	11 3/8" Tube Fitting	
Z Kalrez	1500 0~1500 psig	20 6 mm Tube Fitting	Connection 3 Same as Connection 2	20 6 mm Tube Fitting	
Body Material (Regulator)	2500 0~2500 psig	21 8 mm Tube Fitting		21 8 mm Tube Fitting	
6L 316L SS		Other connections are available upon request			
SS 316 SS					
B Brass (Nickel-plated)					