

Diaphragm Valves

DV Series Low Pressure/High Flow Diaphragm Valves

Features

- ⦿ Ideal for high flow applications
- ⦿ Metal-to-metal seal
- ⦿ Tide-diaphragm design to provide positive stem retraction
- ⦿ No springs or threads in wetted areas to ensure clean operation

Technical Data

Port Size	1/2" to 1" or 12 mm to 18 mm	
Flow Coefficient (Cv)	2.8	
Orifice Size	0.5 in. (12.7 mm)	
Max. Working Pressure	300 psig (20.6 bar)	
Temperature	PCTFE: -10~150°F (-23~65°C) Vespel: -10~250°F (-23~121°C)	
Leak Rate (Helium)	Internal	≤1x10 ⁻⁹ mbar l/s
	External	≤1x10 ⁻⁹ mbar l/s

Flow Data

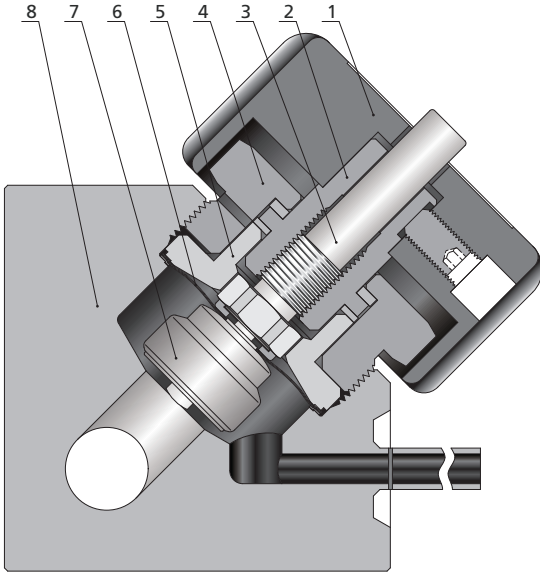
Air @ 70°F (21°C)
Water @ 60°F (16°C)

Pressure Drop to Atmosphere psi (bar)	Air (l/min)	Water (l/min)
10 (0.68)	870	34
50 (3.4)	2300	75
100 (6.8)	4100	100

Product Technology Grade

Product Grade Technology	General Purpose	Special Cleaning and Packaging (F2)	Ultra High Purity (F3)
Material/Specification	316 SS/ASTM A479 or 316L SS/ASTM A479		316L SS/ASTM A479
Wetted Surface Roughness	Ra 10 µin. (0.25 µm)		Ra 5 µin. (0.13 µm)
Polishing Process	Machine finished		Electropolished
Process Specification	FC-01 Standard Cleaning and Packaging	FC-02 Special Cleaning and Packaging	FC-03 Ultra High Purity Process Specification
Cleaning	Thrice degreasing ultrasonic cleaning	Special cleaning with non-ozone-depleting chemicals	Ultra high purity cleaning in continuously monitored ultrasonic cleaning system with deionized water
Assembly Environment	At atmosphere	In specially cleaned areas	In ISO Class 5/Federal Class 100 cleanroom
Packaging	Individually bagged	Double bagged	Double bagged and vacuum sealed in cleanroom

Major Materials of Construction

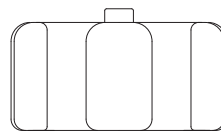


Item	Component	Material/Specification
1	Handle	Aluminum
2	Actuator	316 SS/ASTM A479
3	Upper Stem	316 SS/ASTM A479
4	Bonnet Nut	316 SS/ASTM A479
5	Bonnet	S17400/ASTM A564
6	Diaphragm (2)	Elgiloy/AMS 5876
7	Stem Subassembly	316L SS/ASTM A479 and PCTFE/ASTM D1430 or 316L SS/ASTM A479 and Vespel
8	Body	316 SS/ASTM A479 or 316L SS/ASTM A479

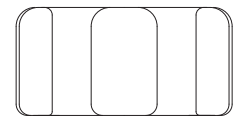
Actuators

Manual - Round Handle

© Upper stem position to indicate open and closed states



OPEN



CLOSED

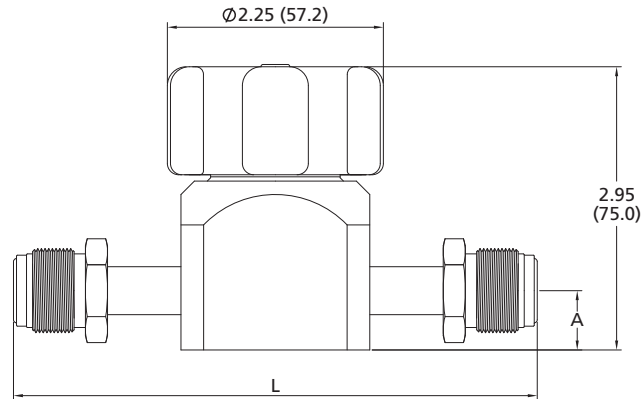
Notes: The upper stem protruding from the handle indicates open state.
The upper stem paralleling to or sinking into the handle indicates closed state.

Dimensions and Ordering Information

Straight Type

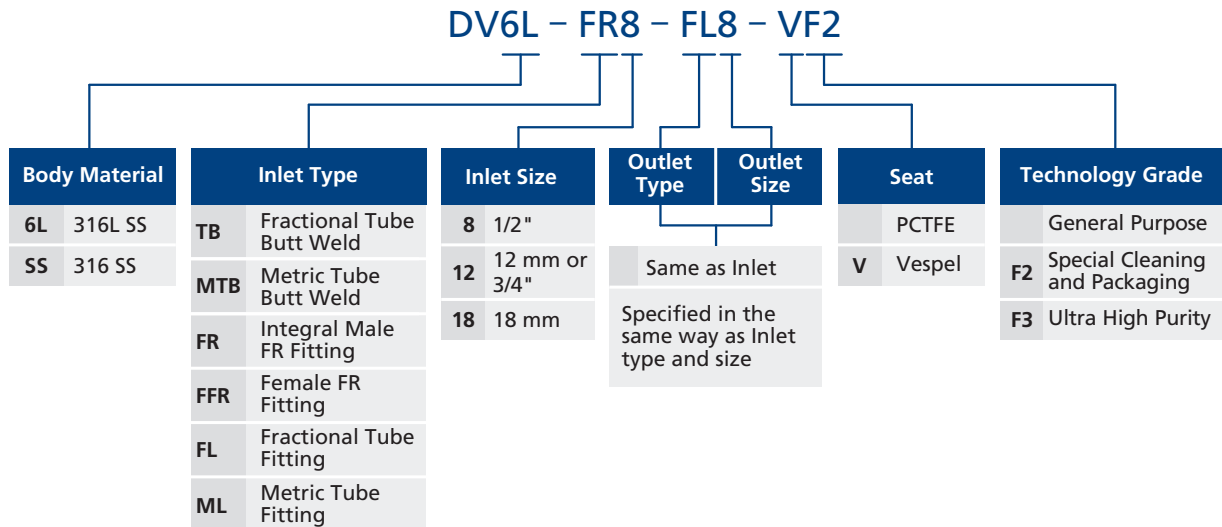
Dimensions

Dimensions, in inches (millimeters), are for reference only.



Basic Ordering Number	Connection Type and Size	Dimensions in. (mm)	
		A	L
DV□□-TB8-	1/2" Tube Butt Weld	0.62 (15.7)	5.91 (150.0)
DV□□-TB12-	3/4" Tube Butt Weld	0.62 (15.7)	5.91 (150.0)
DV□□-FR8-	1/2" Integral Male FR	0.62 (15.7)	5.46 (138.7)
DV□□-FFR8-	1/2" Female FR	0.62 (15.7)	5.46 (138.7)
DV□□-FL8-	1/2" FITOK Tube Fitting	0.62 (15.7)	3.71 (94.2)
DV□□-FL12-	3/4" FITOK Tube Fitting	0.62 (15.7)	3.72 (94.4)

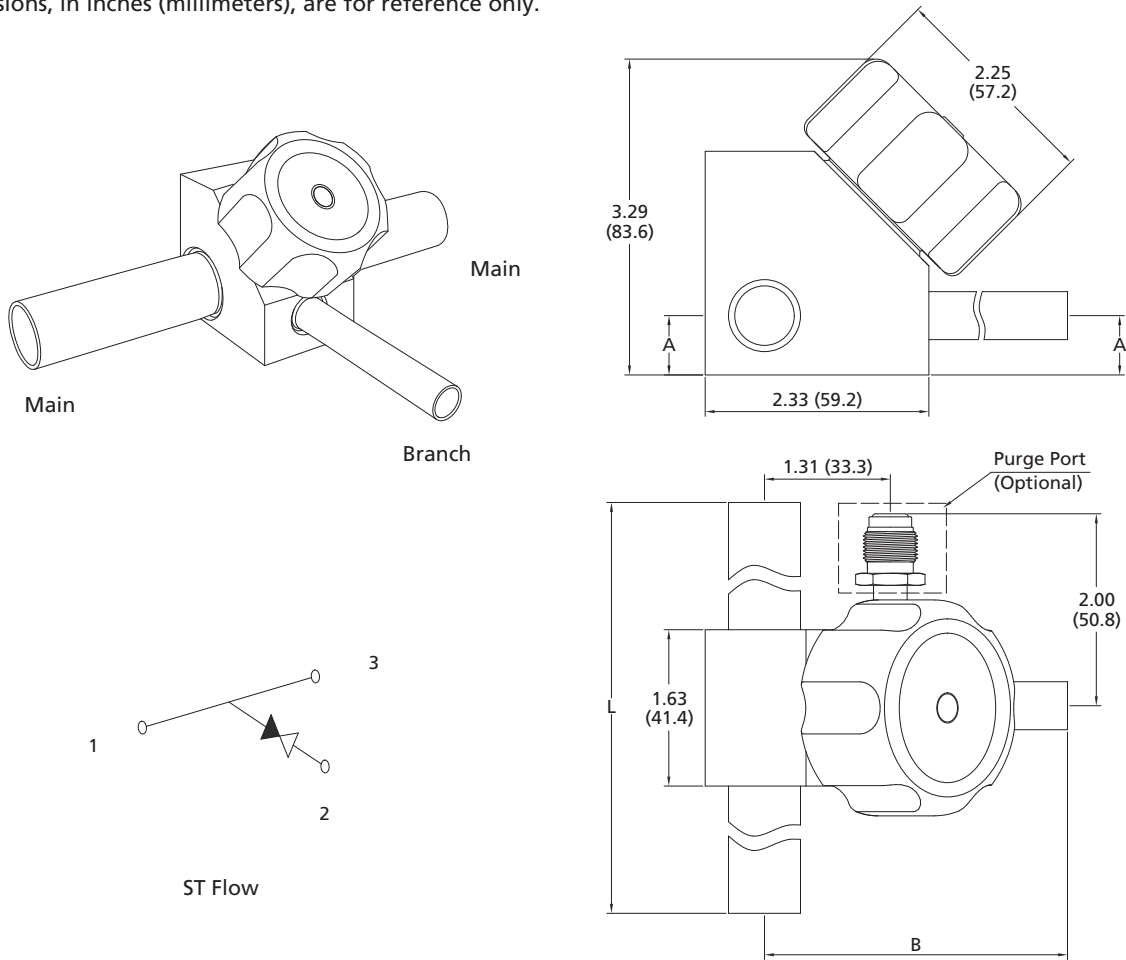
Ordering Number Description



Branch Type

Dimensions

Dimensions, in inches (millimeters), are for reference only.



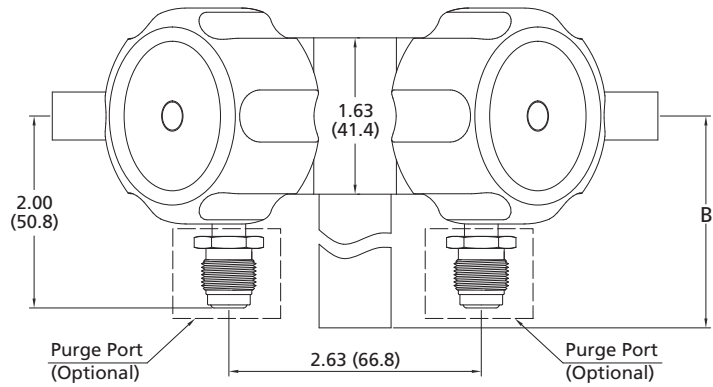
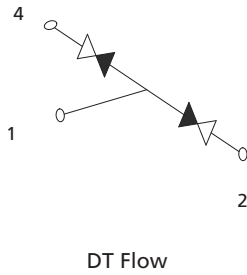
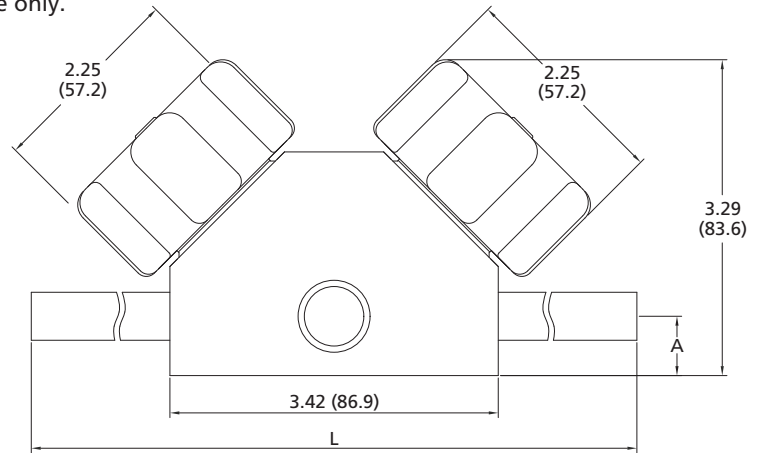
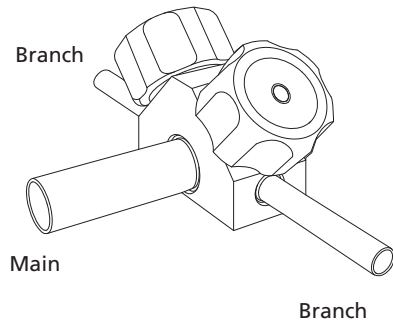
Basic Ordering Number	Connection Type and Size		Dimensions in. (mm)		
	Main	Branch	A	B	L
DV□□-TB8-TB4-	1/2" × 0.049"	1/4" × 0.035"	0.62 (15.7)	4.69 (119.0)	7.58 (193.0)
DV□□-TB8-TB8-	1/2" × 0.049"	1/2" × 0.049"	0.62 (15.7)	4.69 (119.0)	7.58 (193.0)
DV□□-TB8-RFR4-	1/2" × 0.049"	1/4" Rotatable Male FR	0.62 (15.7)	2.57 (65.0)	7.58 (193.0)
DV□□-TB8-RFR8-	1/2" × 0.049"	1/2" Rotatable Male FR	0.62 (15.7)	3.43 (87.0)	7.58 (193.0)
DV□□-TB12-TB8-	3/4" × 0.065"	1/2" × 0.049"	0.62 (15.7)	4.69 (119.0)	7.58 (193.0)
DV□□-TB12-RFR8-	3/4" × 0.065"	1/2" Rotatable Male FR	0.62 (15.7)	3.43 (87.0)	7.58 (193.0)
DV□□-TB16-TB8-	1" × 0.065"	1/2" × 0.049"	0.62 (15.7)	4.69 (119.0)	7.58 (193.0)
DV□□-TB16-RFR8-	1" × 0.065"	1/2" Rotatable Male FR	0.62 (15.7)	3.43 (87.0)	7.58 (193.0)

V-45 Diaphragm Valves

Block Type

Dimensions

Dimensions, in inches (millimeters), are for reference only.

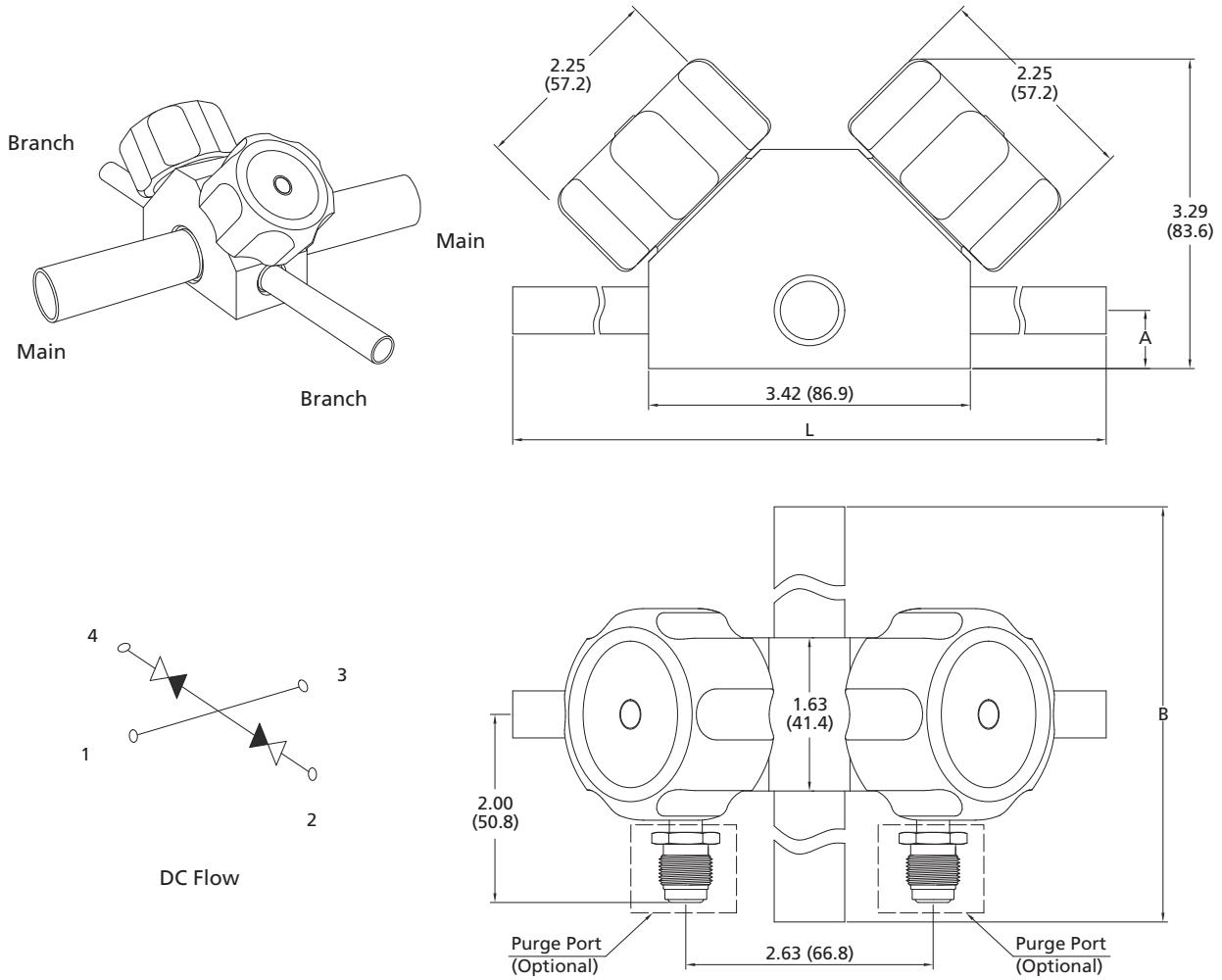


Basic Ordering Number	Connection Type and Size		Dimensions in. (mm)		
	Main	Branch	A	B	L
DV□□-TB12-TB8-	3/4" × 0.065"	1/2" × 0.049"	0.62 (15.7)	3.79 (96.3)	9.38 (238.0)
DV□□-TB12-RFR8-	3/4" × 0.065"	1/2" Rotatable Male FR	0.62 (15.7)	3.79 (96.3)	9.38 (238.0)
DV□□-TB16-TB8-	1" × 0.065"	1/2" × 0.049"	0.62 (15.7)	3.79 (96.3)	9.38 (238.0)
DV□□-TB16-RFR8-	1" × 0.065"	1/2" Rotatable Male FR	0.62 (15.7)	3.79 (96.3)	9.38 (238.0)

Block Type

Dimensions

Dimensions, in inches (millimeters), are for reference only.



Basic Ordering Number	Connection Type and Size		Dimensions in. (mm)		
	Main	Branch	A	B	L
DV□□-TB8-TB8-	1/2" × 0.049"	1/2" × 0.049"	0.62 (15.7)	7.58 (193.0)	9.38 (238.0)
DV□□-TB8-RFR8-	1/2" × 0.049"	1/2" Rotatable Male FR	0.62 (15.7)	7.58 (193.0)	9.38 (238.0)
DV□□-TB12-TB8-	3/4" × 0.065"	1/2" × 0.049"	0.62 (15.7)	7.58 (193.0)	9.38 (238.0)
DV□□-TB12-RFR8-	3/4" × 0.065"	1/2" Rotatable Male FR	0.62 (15.7)	7.58 (193.0)	9.38 (238.0)
DV□□-TB16-TB8-	1" × 0.065"	1/2" × 0.049"	0.62 (15.7)	7.58 (193.0)	9.38 (238.0)
DV□□-TB16-RFR8-	1" × 0.065"	1/2" Rotatable Male FR	0.62 (15.7)	7.58 (193.0)	9.38 (238.0)

V-47 Diaphragm Valves

Ordering Number Description

DV6L - TB12 - TB8 - DC - P2 - VF2

