

Diaphragm Valves

DM Series High Pressure Spring Diaphragm Valves

Features

- ⊙ All-metal containment, packless
- ⊙ Repetitive shutoff with fully contained soft-seat stem tip
- ⊙ Position indicator ring for lever handle
- ⊙ Reduced seat volume
- ⊙ Fully functional under vacuum conditions
- ⊙ Different handle types and pneumatic actuators available
- ⊙ Indicator switch available assembled on pneumatic valves, transmitting a signal to an electrical device to indicated either the open or closed position of the valves
- ⊙ Normally open and normally closed indicator switches optional

Technical Data

Port Size		1/4" to 3/8" or 6 mm to 8 mm
Flow Coefficient (Cv)	Lever Handle	0.14
	Round Handle	0.30
	Pneumatic Actuator	0.20
Orifice Size		0.16 in. (4.1 mm)
Max. Working Pressure		3500 psig (241 bar)
Max. Differential Back Pressure ^①		1500 psig (103 bar)
Pneumatic Actuator Operating Pressure		60 to 90 psig (4.2 to 6.2 bar)
Temperature		PCTFE: -100~250°F (-73~121°C) Vespel: -100~320°F (-73~160°C)
Leak Rate (Helium)	Internal	≤4x10 ⁻⁹ mbar l/s
	External	≤4x10 ⁻⁹ mbar l/s

① A 17-7 stainless steel spring is available to increase the rating to 2500 psig (172 bar). To order, please contact FITOK group or our authorized distributors.

Flow Data

Air @ 70°F (21°C)

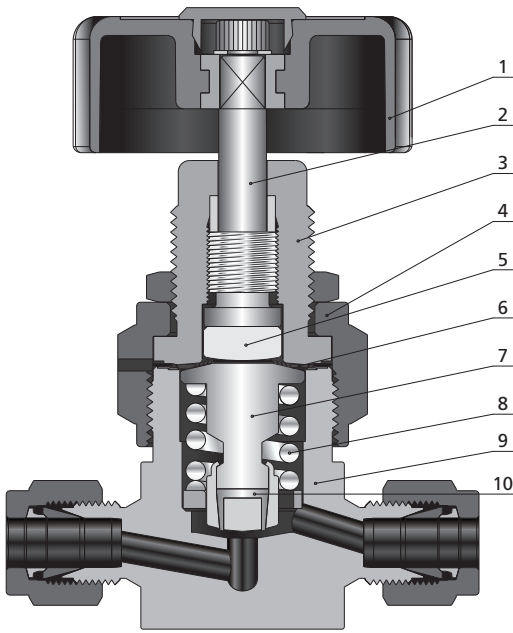
Water @ 60°F (16°C)

Pressure Drop to Atmosphere psi (bar)	Lever Handle		Round Handle		Pneumatic Actuator	
	Air (l/min)	Water (l/min)	Air (l/min)	Water (l/min)	Air (l/min)	Water (l/min)
10 (0.68)	49	1.6	100	3.5	64	2.4
50 (3.4)	130	3.9	270	8.0	170	5.4
100 (6.8)	240	5.4	490	11.4	300	7.6

Product Technology Grade

Product Grade Technology	General Purpose	Special Cleaning and Packaging (F2)	Ultra High Purity (F3)
Material/Specification	316 SS/ASTM A479 or 316L SS/ASTM A479		316L SS/ASTM A479
Wetted Surface Roughness	Ra 20 µin. (0.51 µm)		Ra 10 µin. (0.25 µm)
Polishing Process	Machine finished		Electropolished
Process Specification	FC-01 Standard Cleaning and Packaging	FC-02 Special Cleaning and Packaging	FC-03 Ultra High Purity Process Specification
Cleaning	Thrice degreasing ultrasonic cleaning	Special cleaning with non-ozone-depleting chemicals	Ultra high purity cleaning in continuously monitored ultrasonic cleaning system with deionized water
Assembly Environment	At atmosphere	In specially cleaned areas	In ISO Class 5/Federal Class 100 cleanroom
Packaging	Individually bagged	Double bagged	Double bagged and vacuum sealed in cleanroom

Major Materials of Construction



Round Handle Model

Item	Component	Material/Specification
1	Handle	ABS or Aluminum
2	Actuator	416 SS/ASTM A582
3	Bonnet	316 SS/ASTM A479
4	Bonnet Nut	316 SS/ASTM A479
5	Button	C36000/ASTM B16
6	Diaphragm (3)	Elgiloy/AMS 5876
7	Stem	316L SS/ASTM A479
8	Spring	316 SS/ASTM A313
9	Body	316 SS/ASTM A479 or 316L SS/ASTM A479
10	Seat	PCTFE/ASTM D1430 or Vespel

Actuators

Manual - Lever Handle

- ⦿ Quick, quarter-turn actuation
- ⦿ Position indicator ring to visually indicate open and closed states



Manual - Round Handle

- ⦿ One and a half turns to operate from fully open to closed



Pneumatic

- ⦿ Normally open, "N.O." marked on the top of the cylinder
- ⦿ Normally closed, "N.C." marked on the top of the cylinder

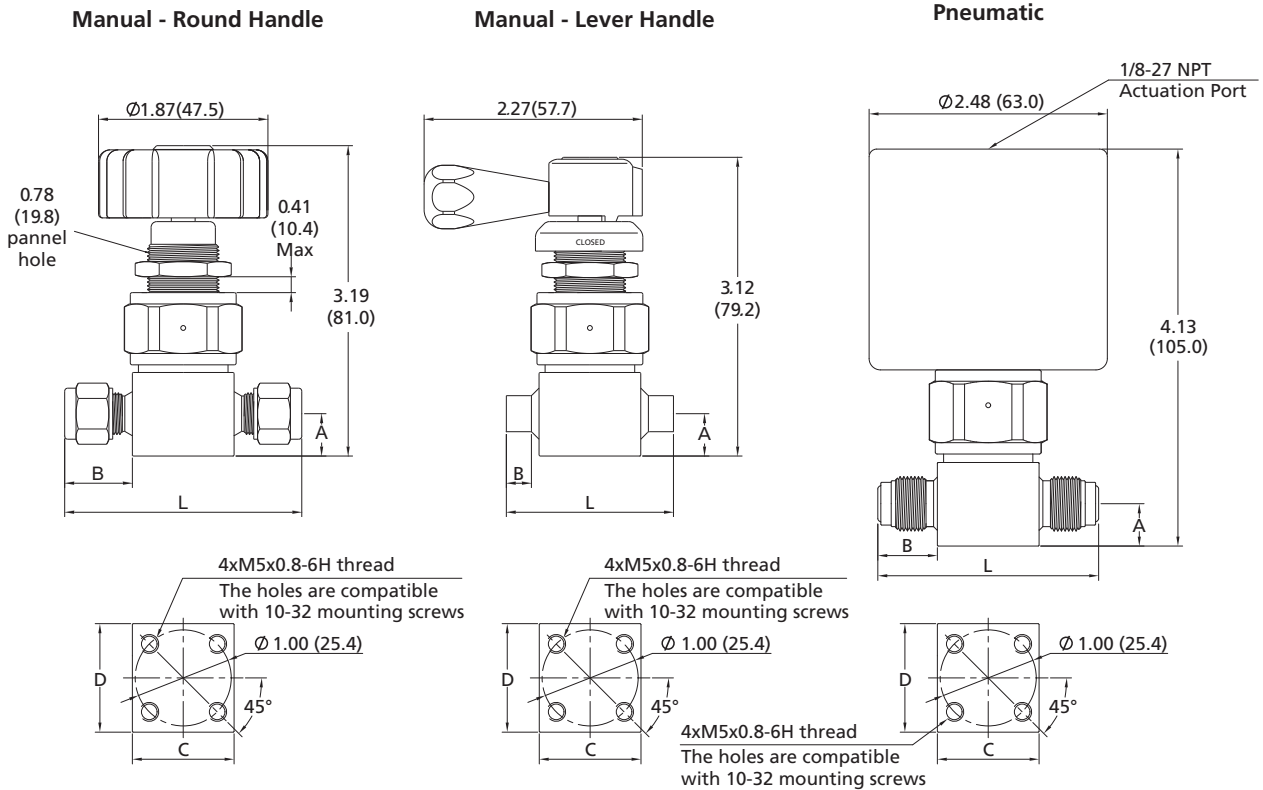


Dimensions and Ordering Information

Straight Type

Dimensions

Dimensions, in inches (millimeters), are for reference only.



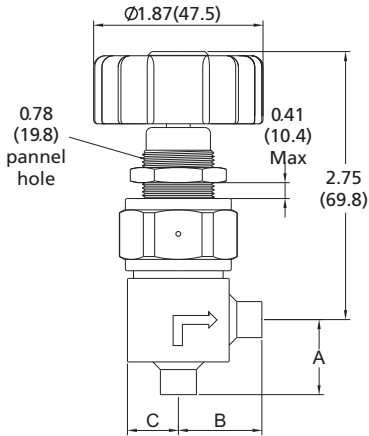
Basic Ordering Number	Connection Type and Size	Dimensions in. (mm)				
		A	B	C	D	L
DM□□-FL4-	1/4" FITOK Tube Fitting	0.44 (11.2)	0.70 (17.9)	1.06 (26.9)	1.13 (28.7)	2.46 (62.5)
DM□□-FL6-	3/8" FITOK Tube Fitting	0.44 (11.2)	0.76 (19.3)	1.06 (26.9)	1.13 (28.7)	2.58 (65.5)
DM□□-ML6-	6 mm FITOK Tube Fitting	0.44 (11.2)	0.70 (17.9)	1.06 (26.9)	1.13 (28.7)	2.46 (62.5)
DM□□-ML8-	8 mm FITOK Tube Fitting	0.44 (11.2)	0.74 (18.7)	1.06 (26.9)	1.13 (28.7)	2.53 (64.3)
DM□□-TB4-	1/4" Tube Butt Weld	0.44 (11.2)	0.30 (7.6)	1.06 (26.9)	1.13 (28.7)	1.74 (44.2)
DM□□-TB6-	3/8" Tube Butt Weld	0.44 (11.2)	0.26 (6.6)	1.06 (26.9)	1.13 (28.7)	1.74 (44.2)
DM□□-NS4-	1/4" Integral Male FR	0.44 (11.2)	—	1.06 (26.9)	1.13 (28.7)	2.46 (62.5)
DM□□-FNS4-	1/4" Female NPT	0.44 (11.2)	—	1.06 (26.9)	1.13 (28.7)	2.46 (62.5)
DM□□-FR4-	1/4" Male FR	0.44 (11.2)	0.62 (15.7)	1.06 (26.9)	1.13 (28.7)	2.30 (58.4)
DM□□-FFR4-	1/4" Female FR	0.44 (11.2)	0.85 (21.6)	1.06 (26.9)	1.13 (28.7)	2.76 (70.1)
DM□□-FO4-	1/4" Male FO	0.44 (11.2)	0.47 (11.9)	1.06 (26.9)	1.13 (28.7)	2.00 (50.8)

Angle Type

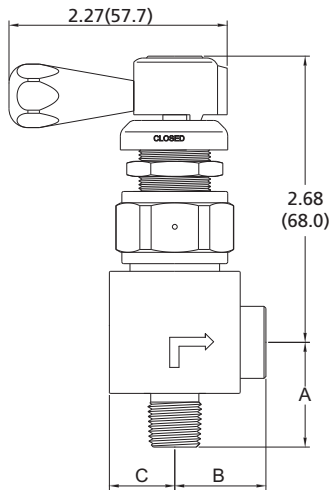
Dimensions

Dimensions, in inches (millimeters), are for reference only.

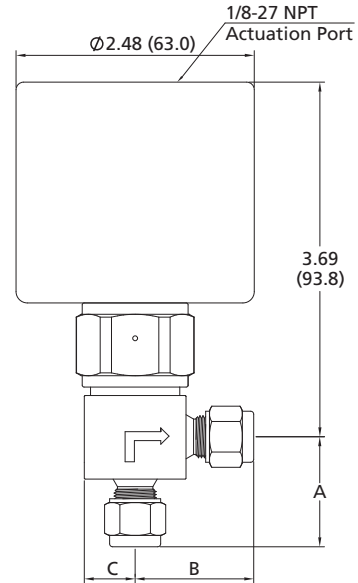
Manual - Round Handle



Manual - Lever Handle



Pneumatic



Basic Ordering Number	Connection Type and Size	Dimensions in. (mm)		
		A	B	C
DM□□-FL4-	1/4" FITOK Tube Fitting	1.14 (29.1)	1.23 (31.3)	0.53 (13.4)
DM□□-ML6-	6 mm FITOK Tube Fitting	1.14 (29.1)	1.23 (31.3)	0.53 (13.4)
DM□□-TB6-	3/8" Tube Butt Weld	0.78 (19.8)	0.87 (22.0)	0.53 (13.4)
DM□□-NS4-FNS4	Inlet 1/4" Male NPT	1.09 (27.7)	0.95 (24.1)	0.68 (17.3)
	Outlet 1/4" Female NPT			

Ordering Number Description

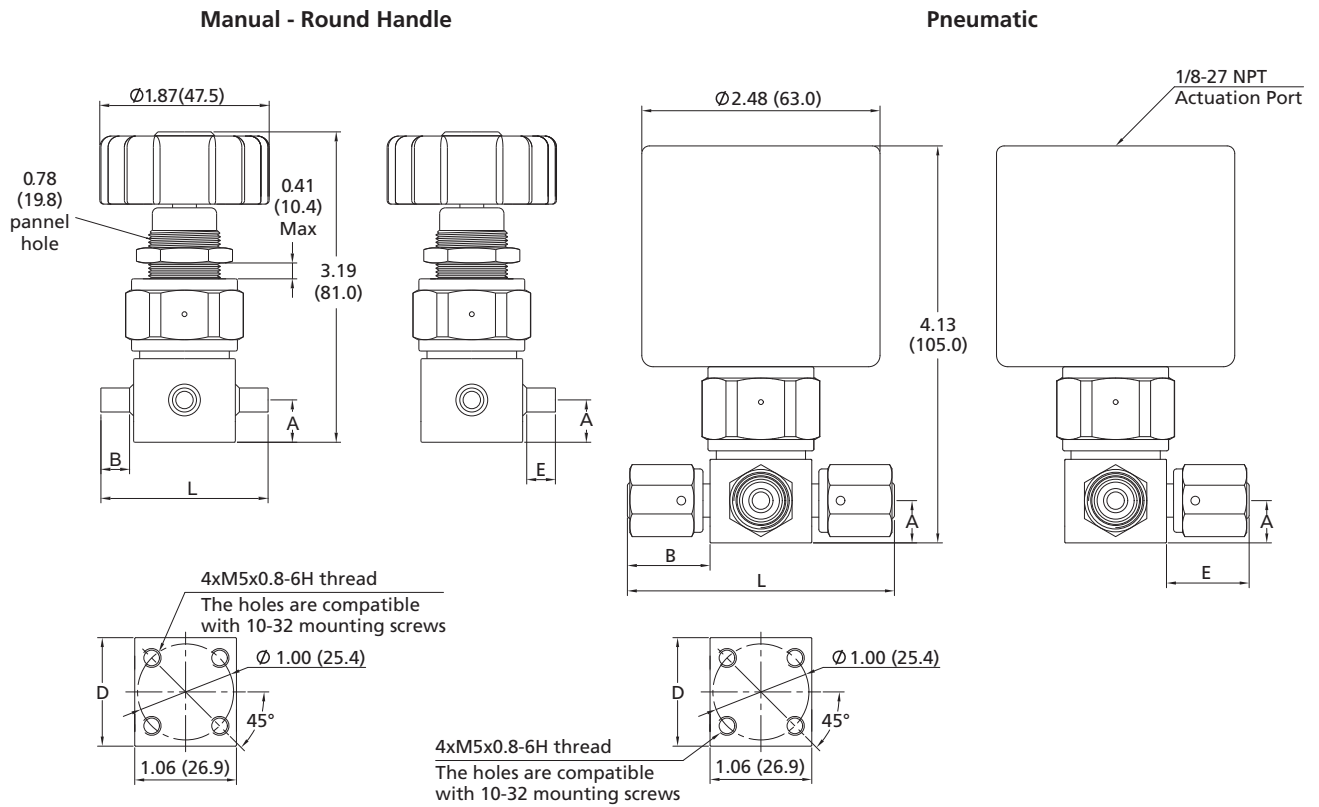
DMSS - FL4 - ML6 - A - CVF2M

Body Material		Inlet Type		Outlet Type	Outlet Size	Actuator Type		Stem Tip Material	Technology Grade	
6L	316L SS	TB	Fractional Tube Butt Weld	Same as Inlet	Specified in the same way as Inlet type and size	R	Round Handle	PCTFE	General Purpose	
SS	316 SS	MTB	Metric Tube Butt Weld			L	Lever Handle	V	Vespel	F2
		FR	Integral Male FR Fitting			C	Pneumatic Normally Closed		F3 Ultra High Purity	
		FFR	Female FR Fitting			O	Pneumatic Normally Open		Indicator Switch (only for pneumatic valves)	
		FL	Fractional Tube Fitting	Inlet Size	Flow Path	Note: For butt weld connection, pneumatic actuator is not recommended unless it causes no interference to welding.				
		ML	Metric Tube Fitting	4	1/4"	Straight				
		NS	Male NPT	6	6 mm or 3/8"	A Angle				
		FNS	Female NPT	8	8 mm or 1/2"					
						None				
						M Normally Open				
						M2 Normally Closed				

Branch Type

Dimensions

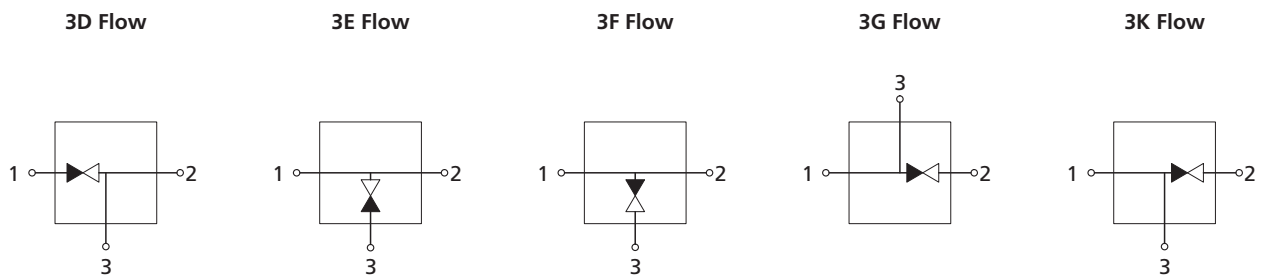
Dimensions, in inches (millimeters), are for reference only.



Basic Ordering Number	Connection Type and Size	Dimensions in. (mm)				
		A	B	D	E	L
DM□□-TB4-	1/4" Tube Butt Weld	0.44 (11.2)	0.30 (7.6)	1.13 (28.7)	0.30 (7.6)	1.74 (44.2)
DM□□-MTB6-	6 mm Tube Butt Weld	0.44 (11.2)	0.30 (7.6)	1.13 (28.7)	0.30 (7.6)	1.74 (44.2)
DM□□-FFR4-	1/4" Female FR	0.44 (11.2)	0.85 (21.6)	1.13 (28.7)	0.85 (21.6)	2.76 (70.1)
DM□□-RFR4-	1/4" Rotatable Male FR	0.44 (11.2)	1.21 (30.7)	1.13 (28.7)	1.21 (30.7)	3.48 (88.4)

Flow Paths

☉ Flow paths as viewed from the top



Ordering Number Description

DMSS - TB4 - TB4 - FFR4 - 3F - LVF2M

