

Cylinder Pressure Regulators

FCR-2 Series High Pressure Piston Regulators

Features

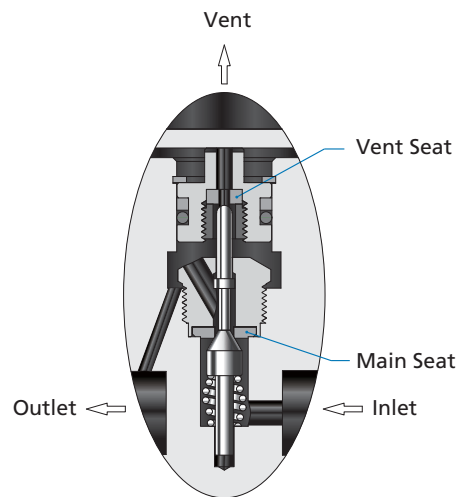
- ⦿ For high pressure applications
- ⦿ Robust piston-sensed design to ensure safety and reliability
- ⦿ 316L SS or Nickel-plated Brass body optional
- ⦿ For non-corrosive gases (due to seal limit)
- ⦿ With special cleaning and packaging, applicable to oxygen-enriched environments
- ⦿ Venting model available
- ⦿ 20 µm filter installed at inlet



Model: FCR-26L-45-750-DIN8-B-B-00-P-P

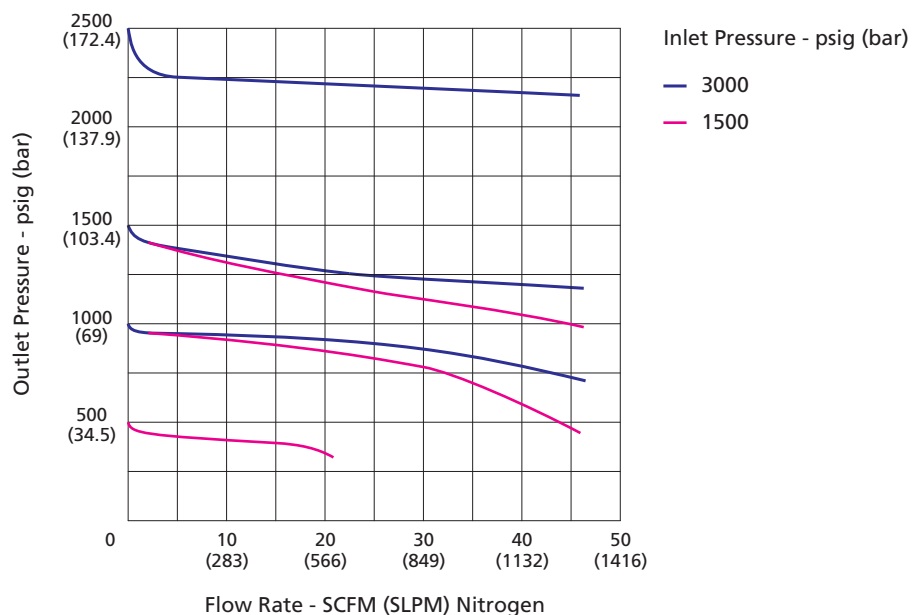
Technical Data

- ⦿ Single-stage regulator
- ⦿ Maximum inlet pressure: 4500 or 6000 psig
- ⦿ Outlet pressure range: 0~750, 0~1500 or 0~2500 psig
- ⦿ Material of the internal components:
 - Main Seat: PCTFE (PEEK for Venting Model)
 - Vent Seat: PCTFE
 - Piston: 316L
 - O-ring: Viton or Kalrez
 - Filter: 316L
- ⦿ Temperature: -15°F~+165°F (-26°C~+74°C)
- ⦿ Leak rates:
 - Internal: Bubble-tight
 - External: Bubble-tight
- ⦿ Flow coefficient (Cv):
 - Without vent: 0.06
 - Vent: 0.1
- ⦿ Weight (regulator only): ≈ 1.98 lbs (0.9 kg)
- ⦿ Body ports: 1/4" female NPT for inlet, outlet and gauge



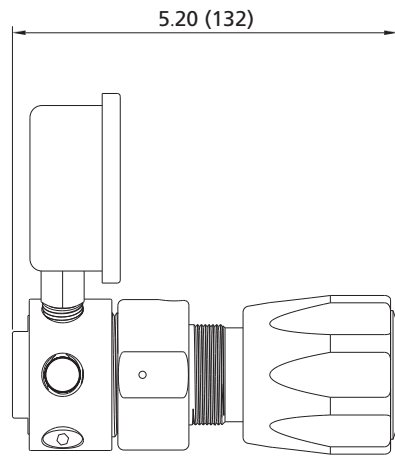
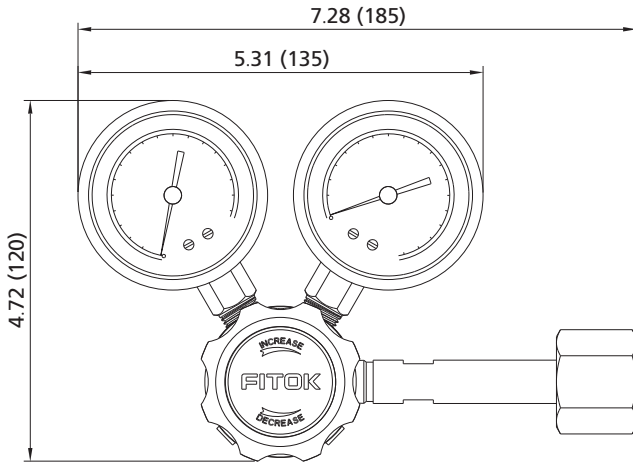
Construction Drawing with Venting Model

Typical Flow Chart

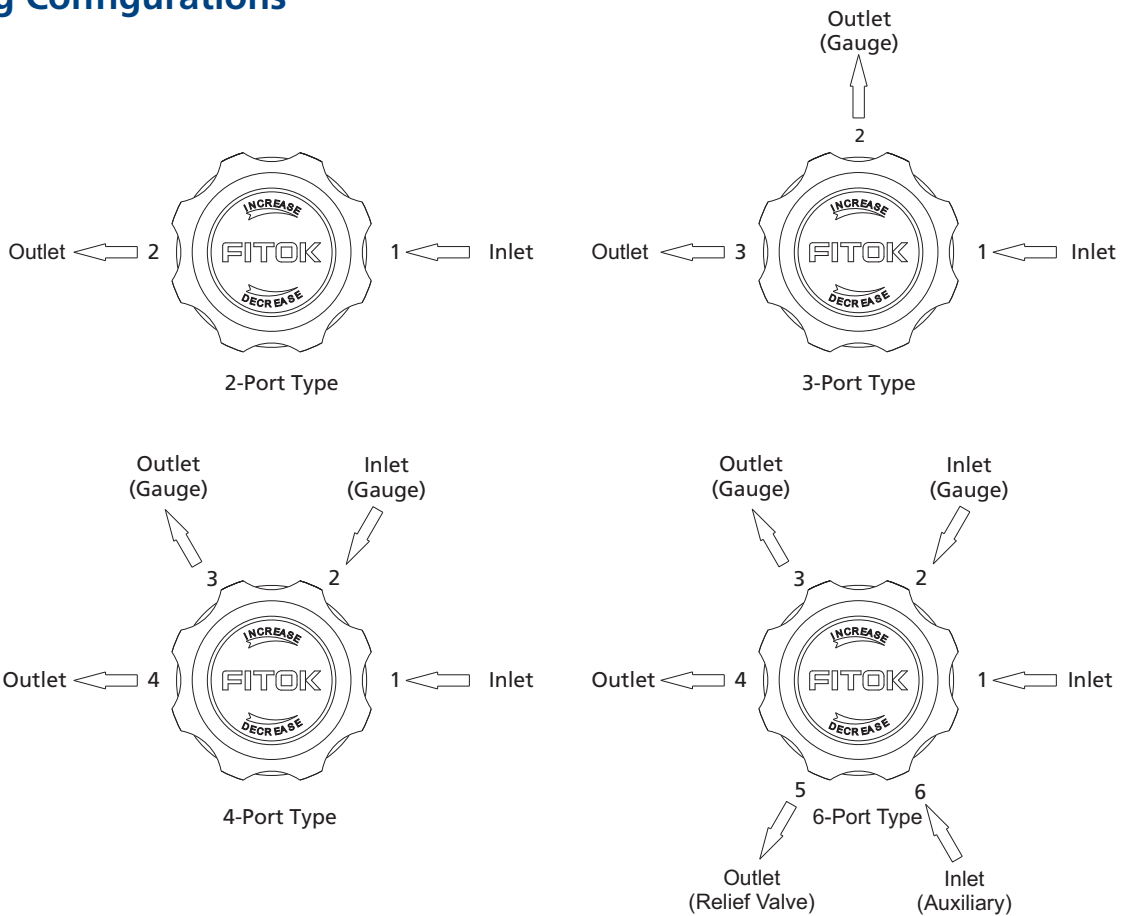


Dimensions

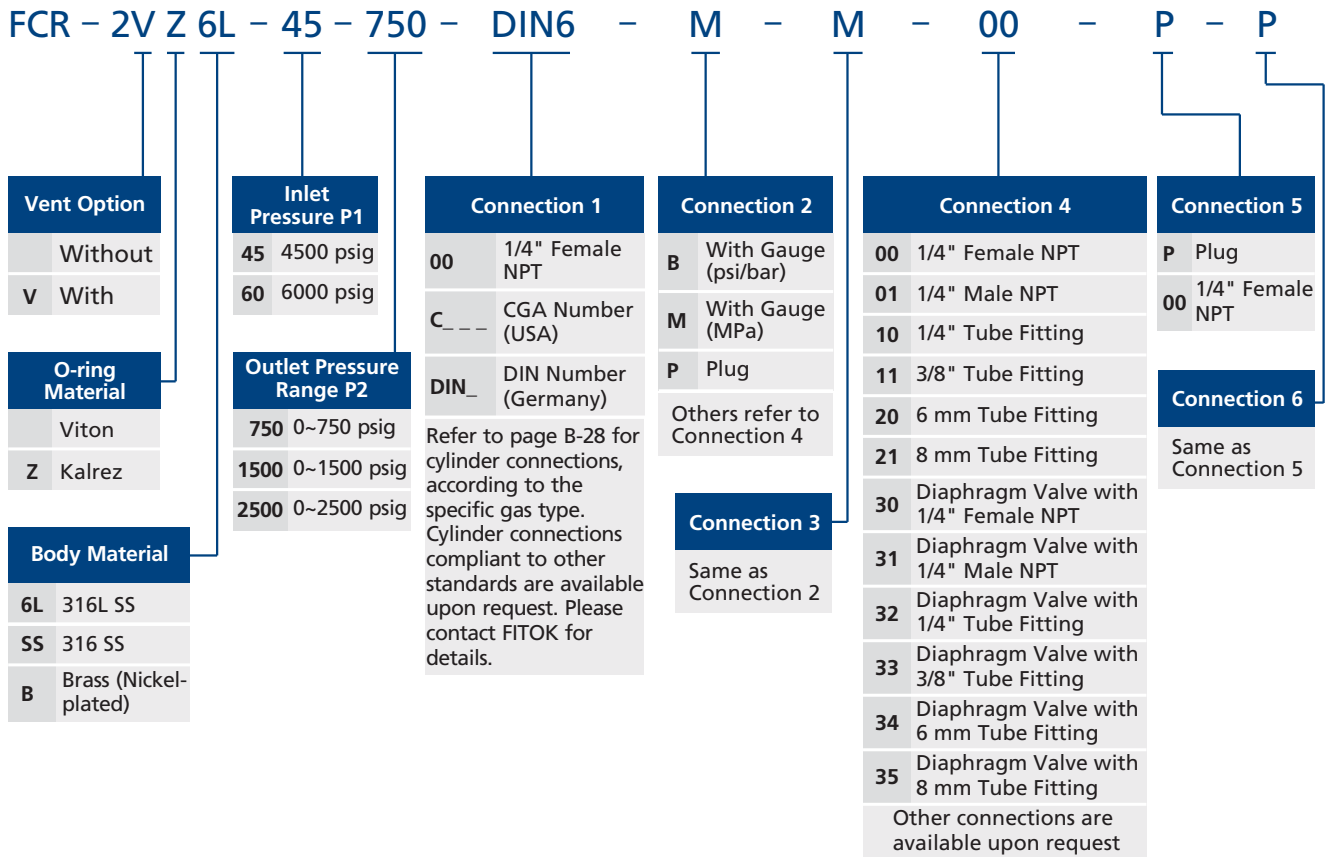
Dimensions, in inches (millimeters), are for reference only.



Porting Configurations



Part Number Description



Note: Most configurations are available.

Examples of part number:

- 2-port type (1 in, 1 out): FCR-26L-45-1500-C580-00
- 3-port type (1 in, 2 out): FCR-2VB-45-750-C660-00-00
- 4-port type (2 in, 2 out): FCR-2VZSS-60-2500-00-B-B-32