

# Cylinder Pressure Regulators

## FCR-1 Series General Diaphragm Regulators

### Features

- ⦿ Metal-to-metal seal to minimize external leak
- ⦿ Convoluted diaphragm design to improve regulation precision and cycle life
- ⦿ Applicable to corrosive or toxic gases
- ⦿ With special cleaning and packaging, applicable to oxygen-enriched environments
- ⦿ Adjustable relief pressure
- ⦿ 20 µm filter installed at inlet

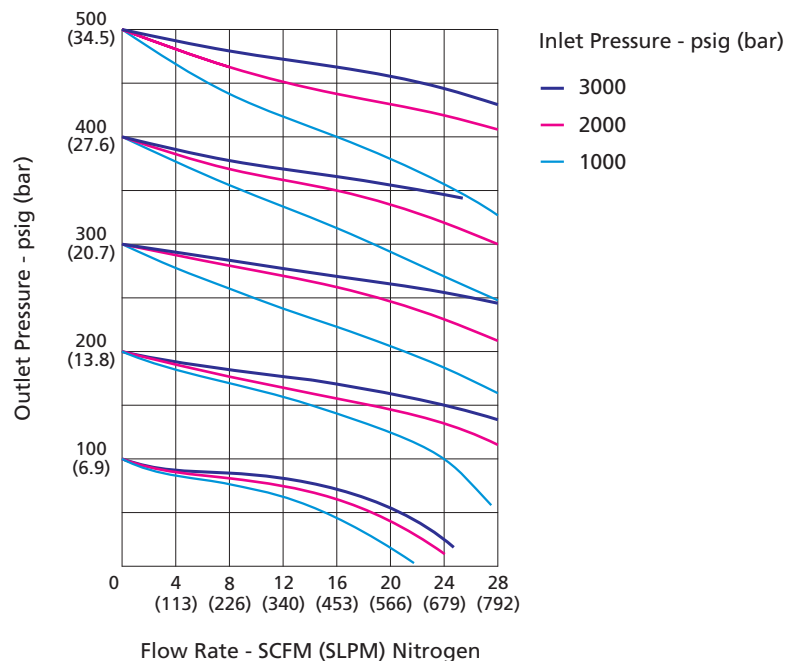


Model: FCR-16L-30-100-C330-B-B-00-R-P

### Technical Data

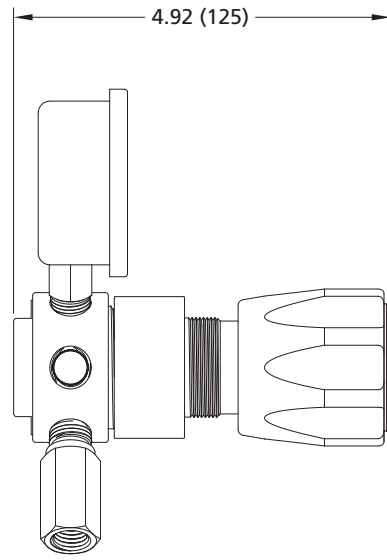
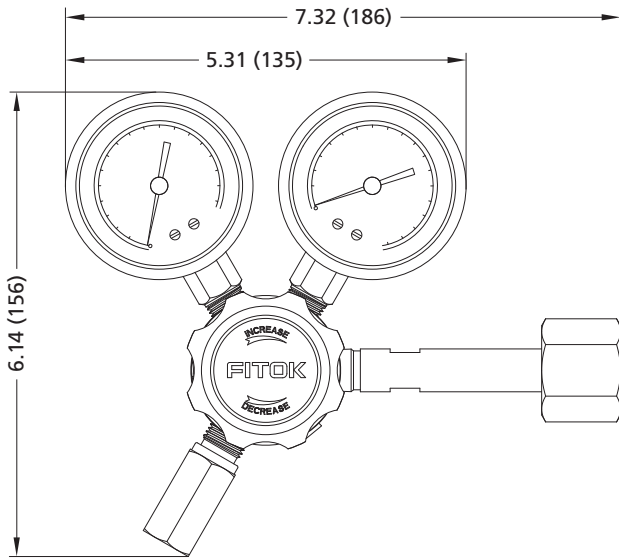
- ⦿ Single-stage regulator
- ⦿ Maximum inlet pressure: 3000 or 4500 psig
- ⦿ Outlet pressure range: 0~25, 0~50, 0~100, 0~250 or 0~500 psig
- ⦿ Material of the internal components:
  - Seat: PCTFE
  - Diaphragm: Hastelloy
  - Filter: 316L
- ⦿ Temperature: -40°F~+165°F (-40°C~+74°C)
- ⦿ Leak rates:
  - Internal:  $\leq 1 \times 10^{-7}$  mbar·l/s helium
  - External:  $\leq 1 \times 10^{-9}$  mbar·l/s helium
- ⦿ Flow coefficient (Cv): 0.06
- ⦿ Weight (regulator only):  $\approx 1.98$  lbs (0.9 kg)
- ⦿ Body ports: 1/4" female NPT for inlet, outlet, gauge and relief valve

### Typical Flow Chart

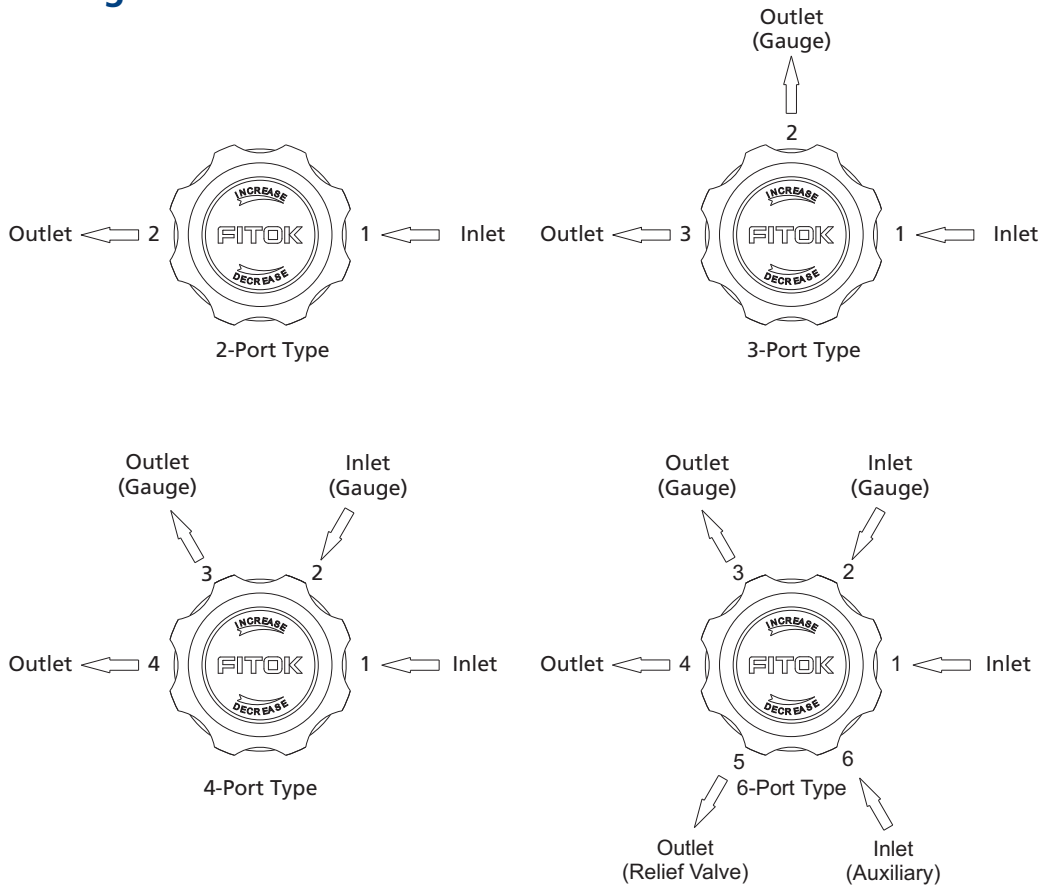


## Dimensions

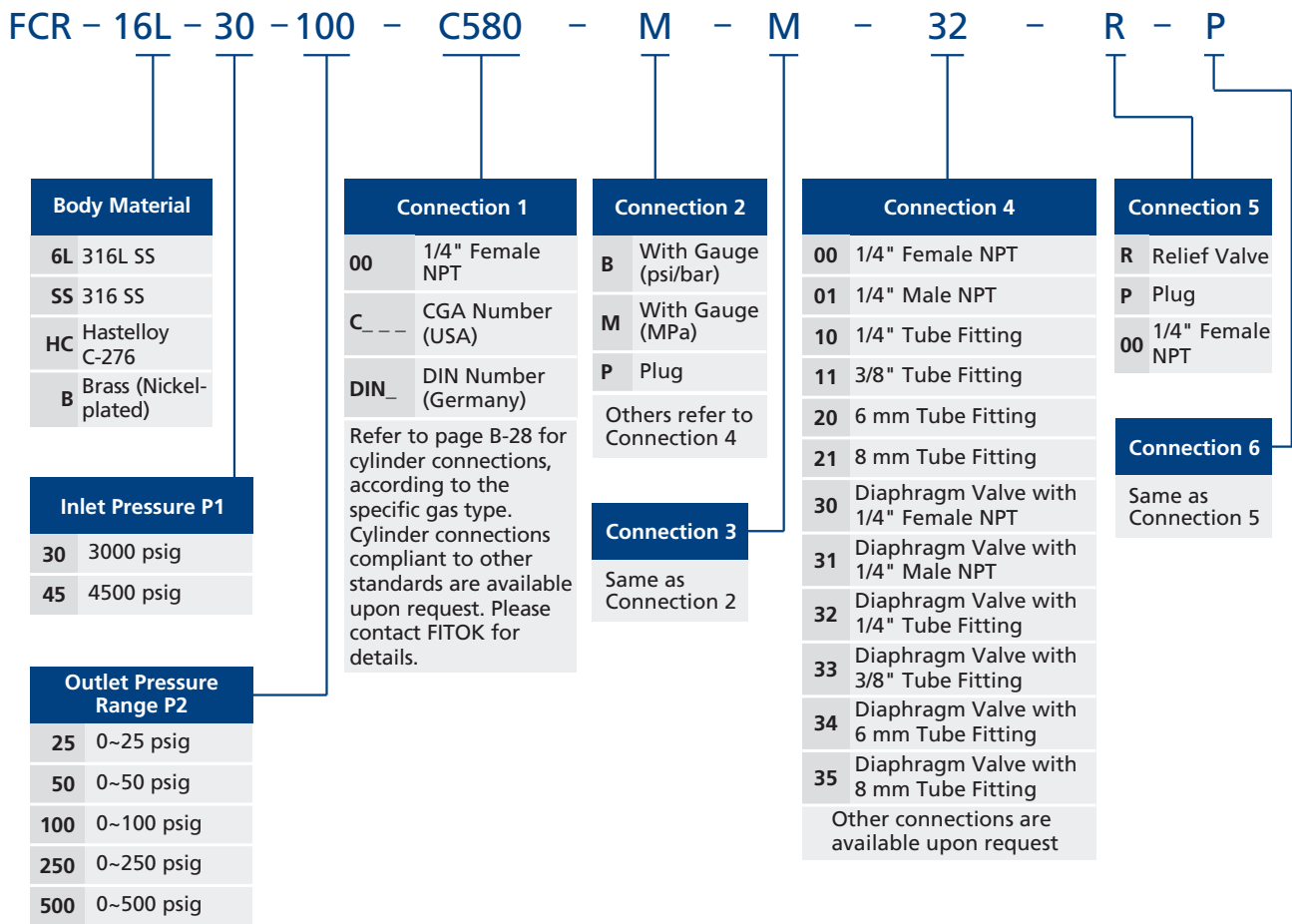
Dimensions, in inches (millimeters), are for reference only.



## Porting Configurations



## Part Number Description



Note: Most configurations are available.

Examples of part number:

- a. 2-port type (1 in, 1 out): FCR-16L-45-100-C580-00
- b. 3-port type (1 in, 2 out): FCR-1SS-30-500-C330-B-00
- c. 4-port type (2 in, 2 out): FCR-1B-45-250-00-B-B-34