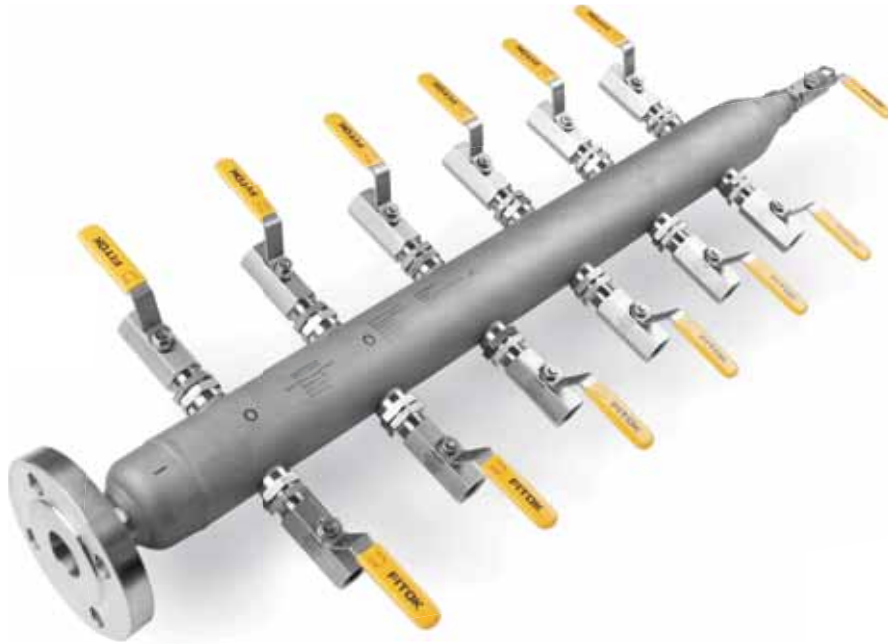


Air Headers and Distribution Manifolds

AH, AP, MP, MN and CM Series



Air Headers and Distribution Manifolds

AH, AP, MP, MN and CM Series

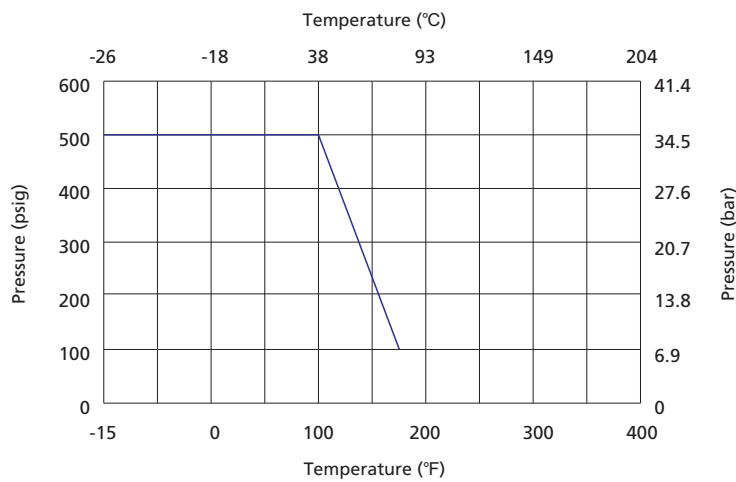
Features

- ⦿ Distribution lines available upon request
- ⦿ Ball valve, plug valve, needle valve available for distribution lines and drain port
- ⦿ Color coded handles available
- ⦿ Leak-tight performance testing for every valve under nitrogen condition at the maximum working pressure

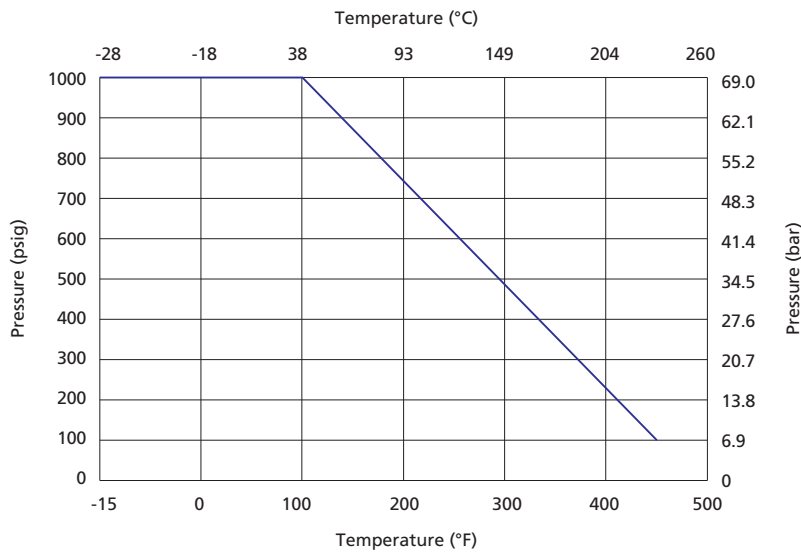
Pressure vs. Temperature

Air Headers

AH Series

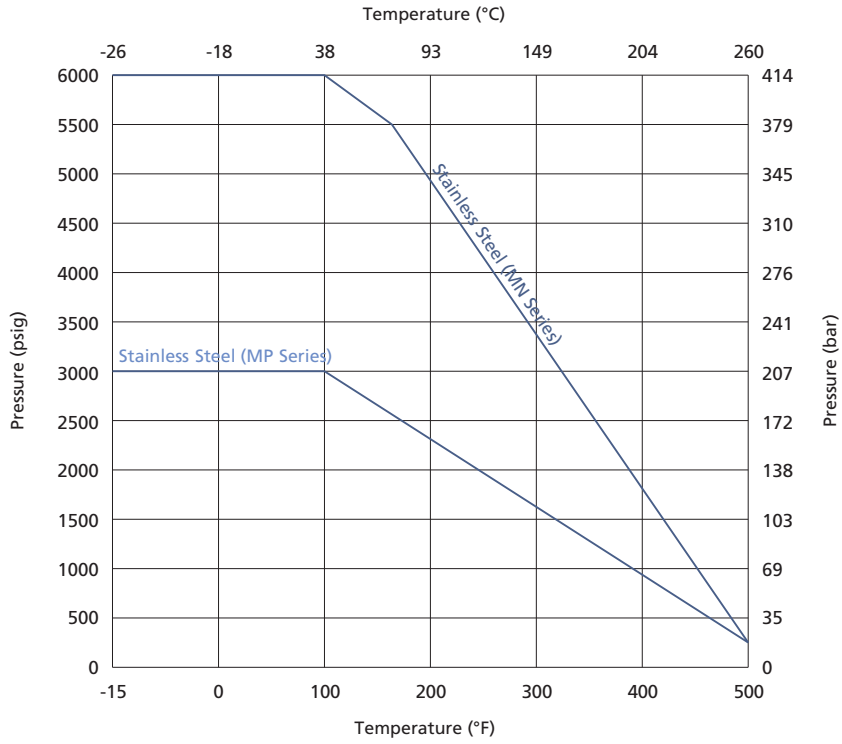


AP Series



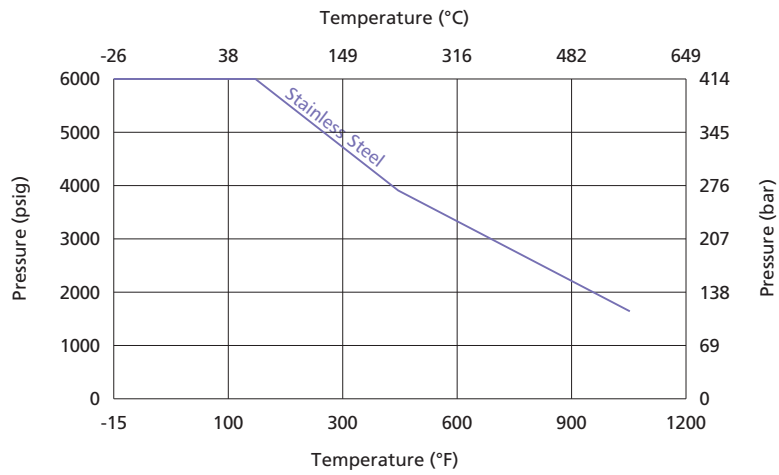
C-50 Air Headers and Distribution Manifolds

MP and MN Series



Distribution Manifolds

CM Series



Air Headers
Distribution Manifolds

End Connections

AH, AP, MP, MN Series

Part	Type	Size	Standard
Inlet Connection	Male NPT	1/2, 3/4, 1	ASME B 1.20.1, GB/T 12716
	Female NPT		ISO 7/1, DIN 2999, GB/T 7306.2
	Female BSP Tapered		ISO 228-1, DIN 3852, GB/T 7307
	Female BSP Parallel		
	Flange	Class 150, Class 300 PN16, PN25, PN40	ANSI B 16.5 GB/T 9115, EN 1092
Outlet Connection	Male NPT	1/4, 1/2	ASME B 1.20.1, GB/T 12716
	Female NPT		
	Fractional Tube Fitting	1/2"	FITOK Tube Fitting
	Metric Tube Fitting	12 mm	
Drain Connection	Female NPT	1/4, 1/2	ASME B 1.20.1, GB/T 12716
	Male NPT		

1. Sizes and types listed are standard. Other sizes and types are available upon request.

2. For dimensions not shown above, please contact FITOK Group or our authorized distributors.

CM Series

Part	Type	Size	Standard
Inlet Connection	Female NPT	1/2, 3/4, 1	ASME B 1.20.1, GB/T 12716
Outlet Connection	Female NPT	1/4, 3/8, 1/2	
Drain Connection	Female NPT	1/2, 3/4, 1	

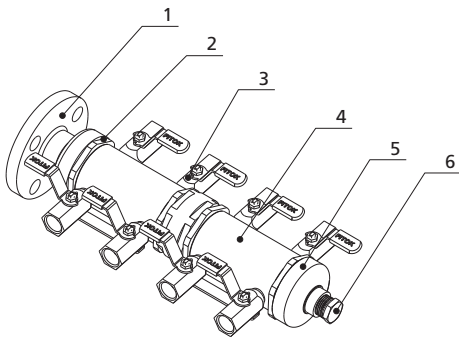
1. Sizes and types listed are standard. Other sizes and types are available upon request.

2. For dimensions not shown above, please contact FITOK Group or our authorized distributors.

Construction

Air Headers

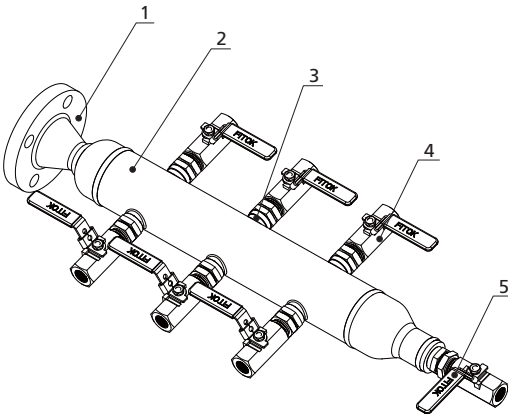
AH Series



Caution:

Hold the valve body first when installing the fitting onto the outlet line. If the valve body bears large rotational torque, branch seal areas may be loose and leak may occur.

AP Series



Standard Materials of Construction

Item	Component	Material/ASTM Specification	
		Stainless Steel	
1	Inlet Valve	BG Series Ball Valve	
	Flange	CF8/A351	CF8M/A351
2	Locking Nut	304SS/A312	
3	Distribution Valve	BR Series Ball Valve	
4	Main Line	304SS/A312	316SS/A312
5	Drain Connection	304SS/A479	316SS/A479
6	Drain Valve	BR Series Ball Valve	
	Plug	304 SS/A479	316 SS/A479

Optimized Setting of the Main Pipe and the Branch

Main Line Size	Quantity of Distribution Valves	Distance Between Two Outlets (mm)
NPS 2 (Sch 10)	4	Only 70
	8	

- Quantity of distribution valves listed is standard. Other types are available upon request.
- For dimensions not shown above, please contact FITOK Group or our authorized distributors.

Standard Materials of Construction

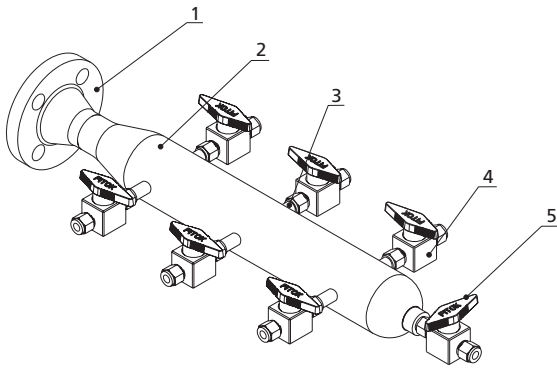
Item	Component	Material/ASTM Specification	
		Stainless Steel	
1	Inlet Valve	BG Series Ball Valve	
	Flange	304 SS/A182	316 SS/A182
2	Main Line	304 SS/A312	316 SS/A312
3	Branch Fitting	304 SS/A276	316 SS/A276
4	Distribution Valve	BR series ball valve as standard option	
	Drain Valve	BR series ball valve as standard option	
5	Plug	304 SS/A276	316 SS/A276

Optimized Setting of the Main Pipe and the Branch

Main Line Size	Quantity of Distribution Valves	Distance Between Two Outlets (mm)
NPS 2 (Sch 10)	6	100
	12	

- Quantity of distribution valves listed is standard. Other sizes and types are available upon request.
- For dimensions not shown above, please contact FITOK Group or our authorized distributors.

MP Series



Standard Materials of Construction

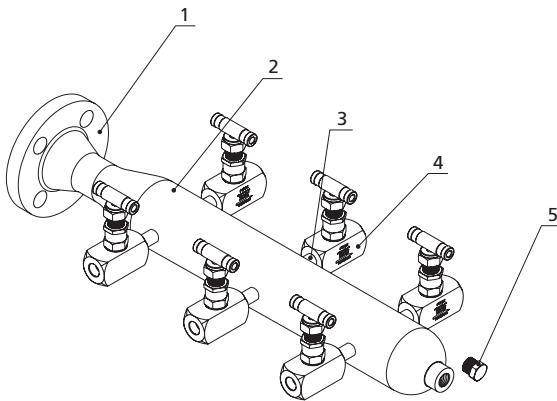
Item	Component	Material/ASTM Specification	
		Stainless Steel	
1	Inlet Valve	BH Series Ball Valve	
	Flange	304 SS/A182	316 SS/A182
2	Main Line	304 SS/A312	316 SS/A312
3	Branch Fitting	304 SS/A276	316 SS/A276
4	Distribution Valve	PV series plug valve as standard option	
5	Drain Valve	PV series plug valve as standard option	
	Plug	304 SS/A276	316 SS/A276

Optimized Setting of the Main Pipe and the Branch

Main Line Size	Quantity of Distribution Valves	Distance Between Two Outlets (mm)
NPS 2 (Sch 160)	6	100
	12	

1. Quantity of distribution valves listed is standard. Other sizes and types are available upon request.
2. For dimensions not shown above, please contact FITOK Group or our authorized distributors.

MN Series



Standard Materials of Construction

Item	Component	Material/ASTM Specification	
		Stainless Steel	
1	Inlet Valve	NB Series needle valve	
	Flange	304 SS/A182	316 SS/A182
2	Main Line	304 SS/A312	316 SS/A312
3	Branch Fitting	304 SS/A276	316 SS/A276
4	Distribution Valve	NF series needle valve as standard option	
5	Drain Valve	NF series needle valve as standard option	
	Plug	304 SS/A276	316 SS/A276

Optimized Setting of the Main Pipe and the Branch

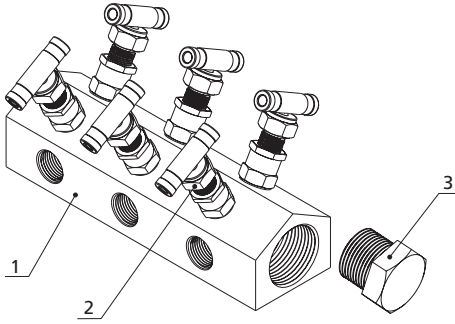
Main Line Size	Quantity of Distribution Valves	Distance Between Two Outlets (mm)
NPS 2 (Sch 160)	6	100~150*
	12	

* Distance between two outlets are determined by the distribution valves.

1. Quantity of distribution valves listed is standard. Other sizes and types are available upon request.
2. For dimensions not shown above, please contact FITOK Group or our authorized distributors.

Distribution Manifolds

CM Series



Standard Materials of Construction

Item	Component	Material/ASTM Specification	
		Stainless Steel	
1	Main Line	304 SS/A479	316 SS/A479
2	Distribution Valve	NB series needle valve	
3	Drain Plug	304 SS/A276	316 SS/A276

Carbon steel and other materials are available upon request.

Optimized Setting of the Main Pipe and the Branch

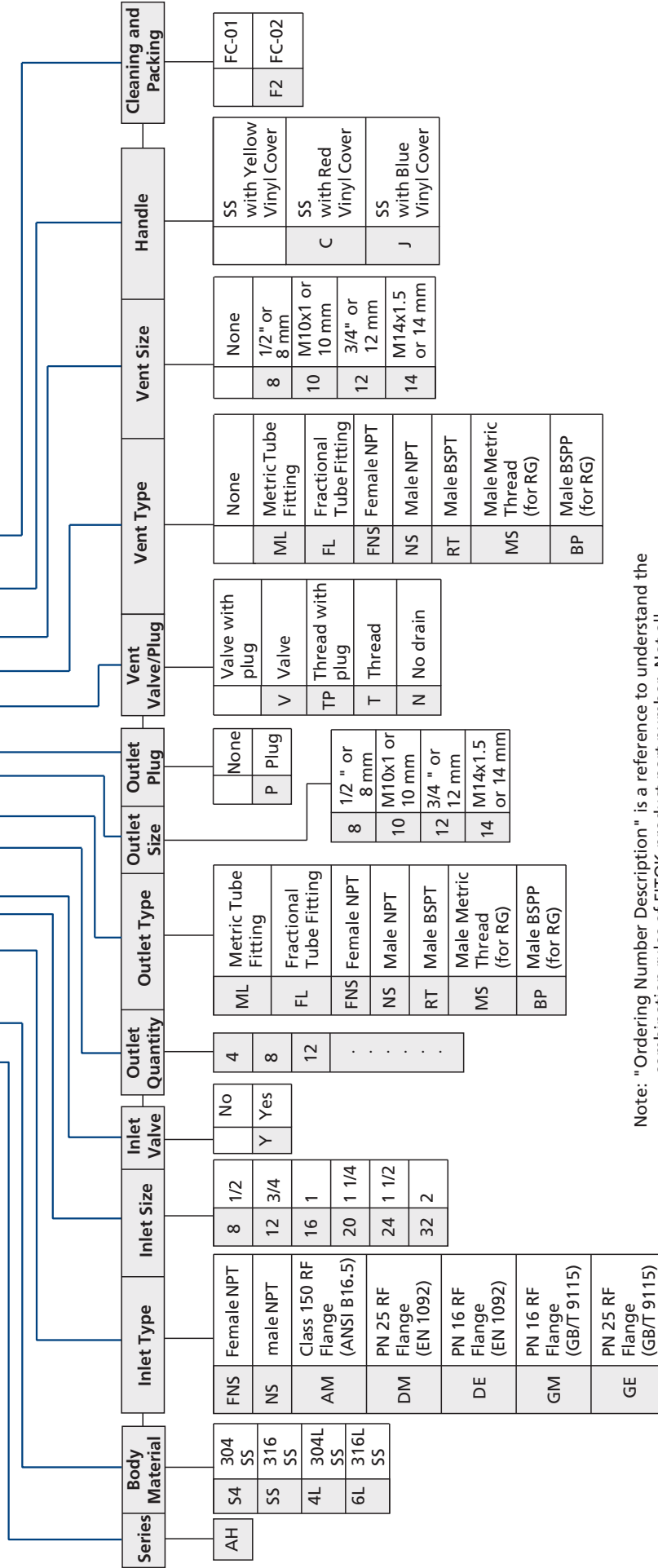
Quantity of Outlet Connections	Type and size of Outlet Connections	Distance Between Two Outlets (mm)
4~18	1/4" female NPT	60

1. Quantity of distribution valve listed are standard. Other sizes and types are available upon request.
2. For dimensions not shown above, please contact FITOK Group or our authorized distributors.

Ordering Number Description

AH Series

AHS4 – FNS8Y – 4ML10P – VFNS8 – C – F2



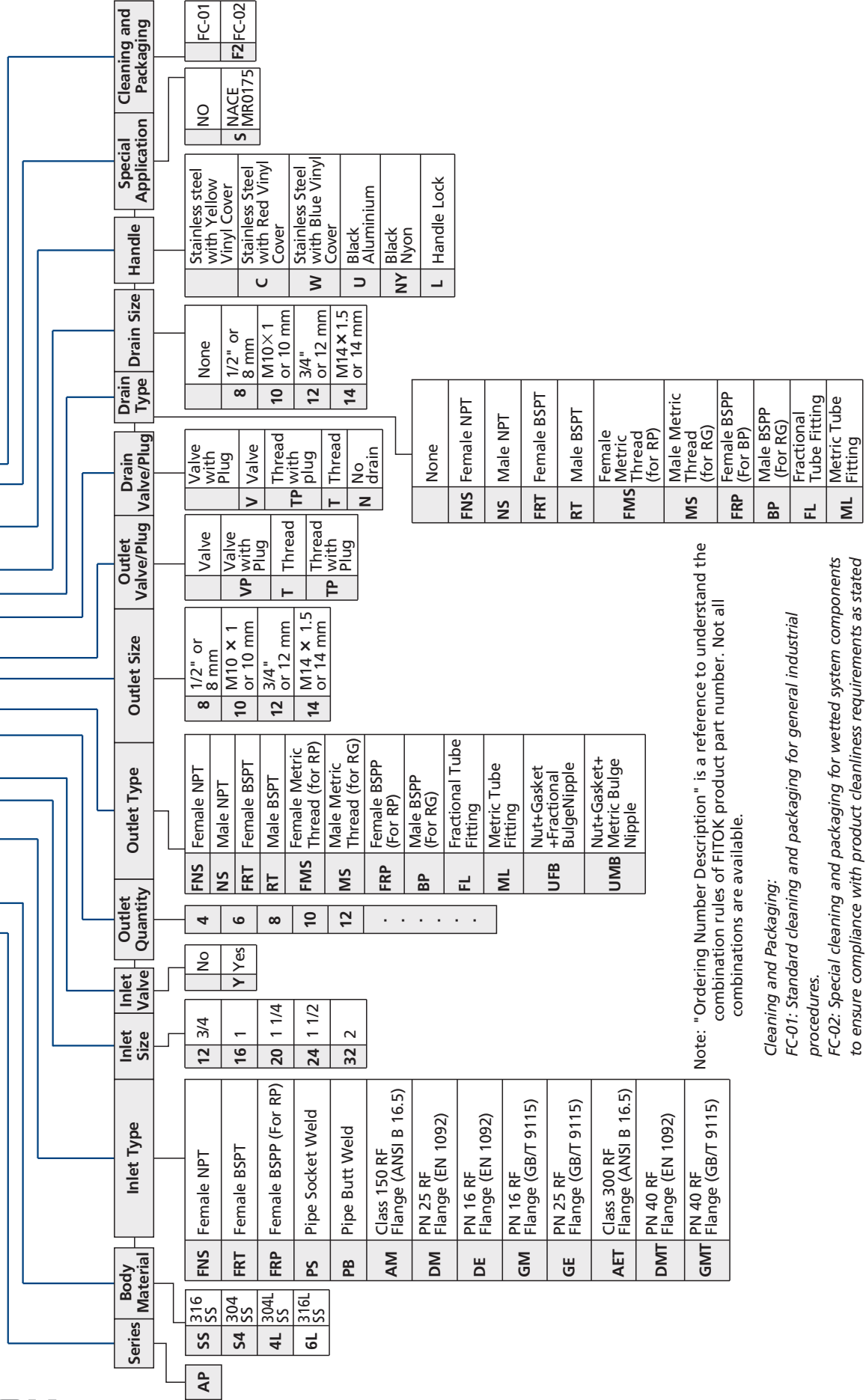
Note: "Ordering Number Description" is a reference to understand the combination rules of FITOK product part number. Not all combinations are available.

Cleaning and Packaging:

- FC-01: Standard cleaning and packaging for general industrial procedures.
- FC-02: Special cleaning and packaging for wetted system components to ensure compliance with product cleanliness requirements as stated in ASTM G93 Level C.

AP Series

APSS – FNS16Y – 8NS12T – TNS8 – C – SF2



Note: "Ordering Number Description" is a reference to understand the combination rules of FITOK product part number. Not all combinations are available.

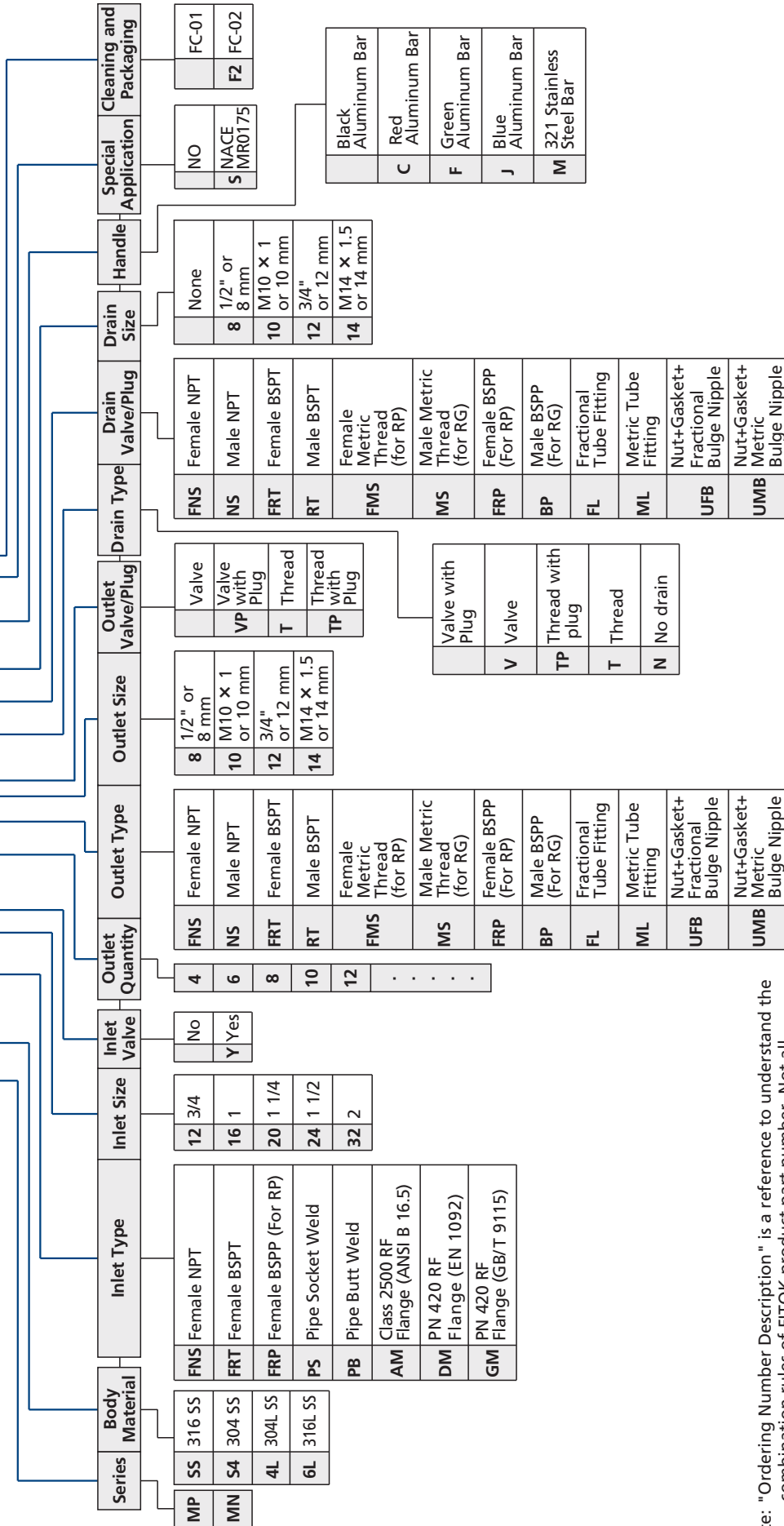
Cleaning and Packaging:

FC-01: Standard cleaning and packaging for general industrial procedures.

FC-02: Special cleaning and packaging for wetted system components to ensure compliance with product cleanliness requirements as stated in ASTM G93 Level C.

MP, MN Series

MNSS – FNS16Y – 10NS8T – BFNS8 – C – SF2



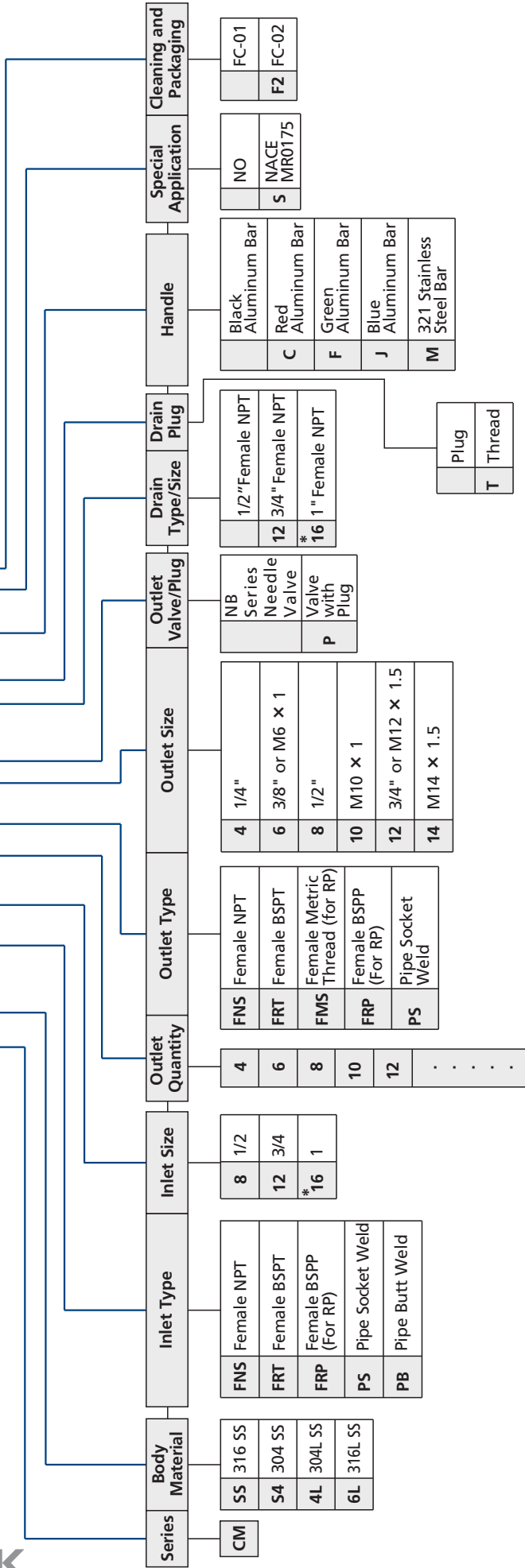
Note: "Ordering Number Description" is a reference to understand the combination rules of FITOK product part number. Not all combinations are available.

Cleaning and Packaging:
 FC-01: Standard cleaning and packaging for general industrial procedures.
 FC-02: Special cleaning and packaging for wetted system components to ensure compliance with product cleaning requirement as stated in ASTM G93 Level C.



CM Series

CMSS – FNS16 – 8FNS12P – 12T – C – SF2



Note: * only applies to maximum working pressure up to 3000 psig.
 "Ordering Number Description" is a reference to understand the combination rules of FITOK product part number. Not all combinations are available.

Cleaning and Packaging:
 FC-01: Standard cleaning and packaging for general industrial procedures.
 FC-02: Special cleaning and packaging for wetted system components to ensure compliance with product cleaning requirement as stated in ASTM G93 Level C.

FITOK Group

FITOK GmbH (Headquarter)

Sprendlinger Landstr. 115, 63069 Offenbach am Main, Germany
Tel.: +49 69 8900 4498 Fax: +49 69 8900 4495

FITOK, Inc.

13843 North Promenade Blvd., Suite 750, Stafford, Texas 77477, USA
Tel.: +1 281 888 0077 Fax: +1 281 582 4051

FITOK Incorporated

Block C, Zone E, Yingtai Industrial Park, Dalang Street,
Longhua District, Shenzhen, 518109, China
Tel.: +86 755 2803 2500 Fax: +86 755 2803 2619

FITOK Middle East Oil Equipment Trading LLC

208-209, Makateb Building, Airport Road, P.O.Box 185412, Deira, Dubai, UAE
Tel.: +971 4 2959 853 Fax: +971 4 2959 854

info@fitokgroup.com
www.fitokgroup.com

FK-IC-GV-14-EN-180830