

# Air Headers

AH Series



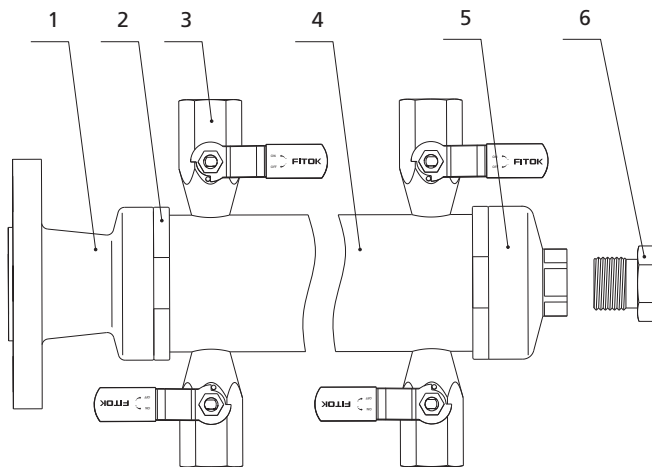
**FITOK**  
Valves and Fittings

[www.fitokgroup.com](http://www.fitokgroup.com)

## Features

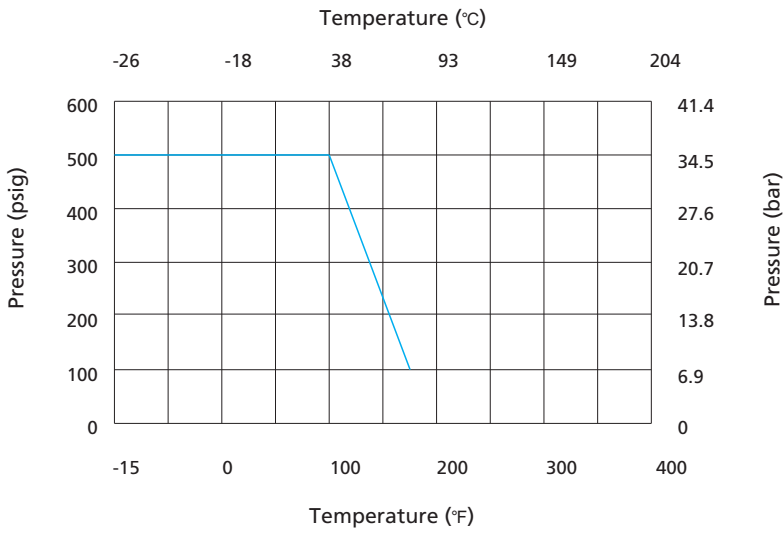
- ⦿ Compact design to allow easy installation
- ⦿ Maximum working pressure up to 500 psig
- ⦿ Modular design with 4 distribution lines as standard
- ⦿ 8 distribution lines, 12 distribution lines or more lines available
- ⦿ Multiple choices of inlet types and vent types
- ⦿ Inlet and vent fittings connect the main line by use of O-rings to provide reliable sealing
- ⦿ Distribution valves with non-metallic filling sealing to ensure zero leakage
- ⦿ Quick opening or closing by ball valves, use as standard distribution valves
- ⦿ Patent-pending design

## Materials of Construction



Item	Component	Material/ASTM Specification	
1	Inlet Valve	BG Series Ball Valve	
	Flange/Fitting	304SS/A182	316SS/A182
2	Locking Nut	304SS/A479	
3	Outlet Valve	BR Series Ball Valve	
4	Main Line	304SS/A312	316SS/A312
5	Vent Fitting	304SS/A479	316SS/A479
6	Vent Valve	BR Series Ball Valve	
	Plug	304SS/A479	316SS/A479

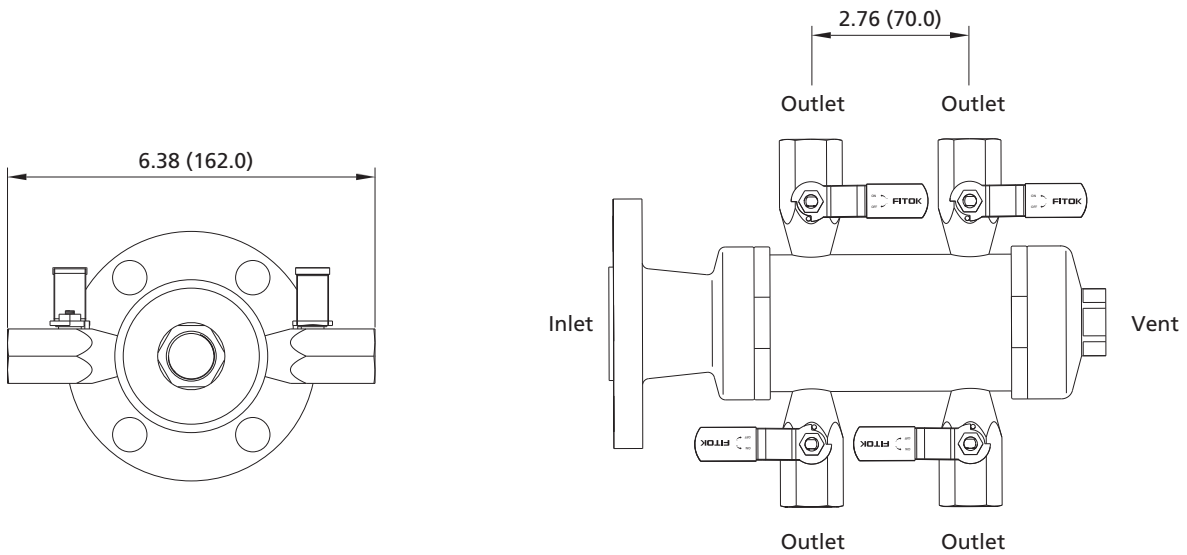
## Pressure vs. Temperature



## Dimensions

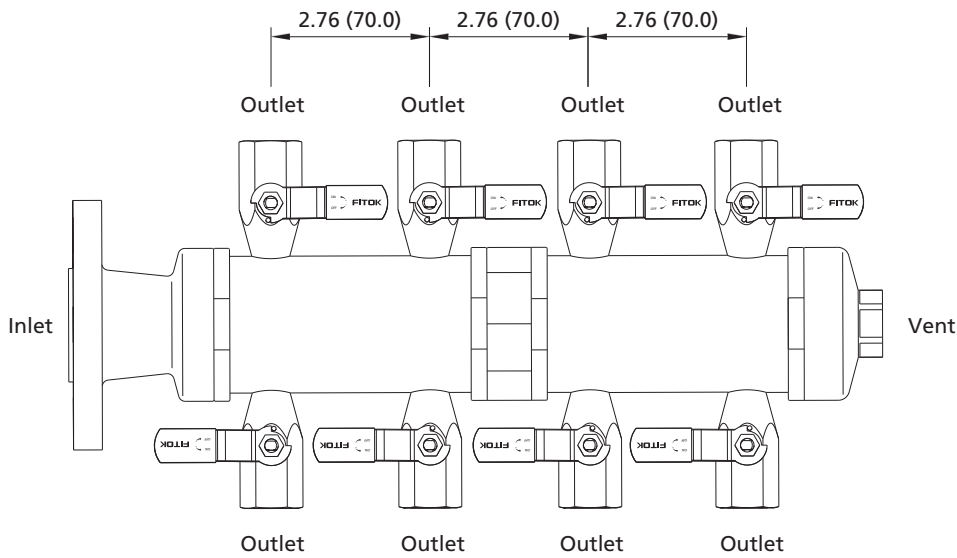
Dimensions, in inches (millimeters), are for reference.

### 4-Outlet Type

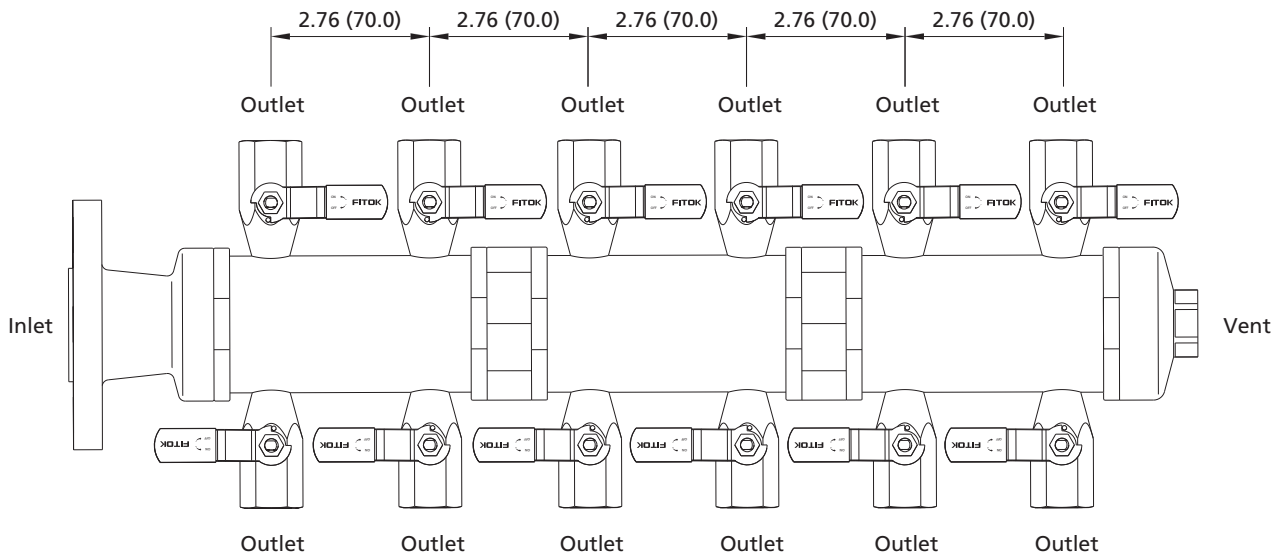


### 3 Air Headers

#### 8-Outlet Type



#### 12-Outlet Type

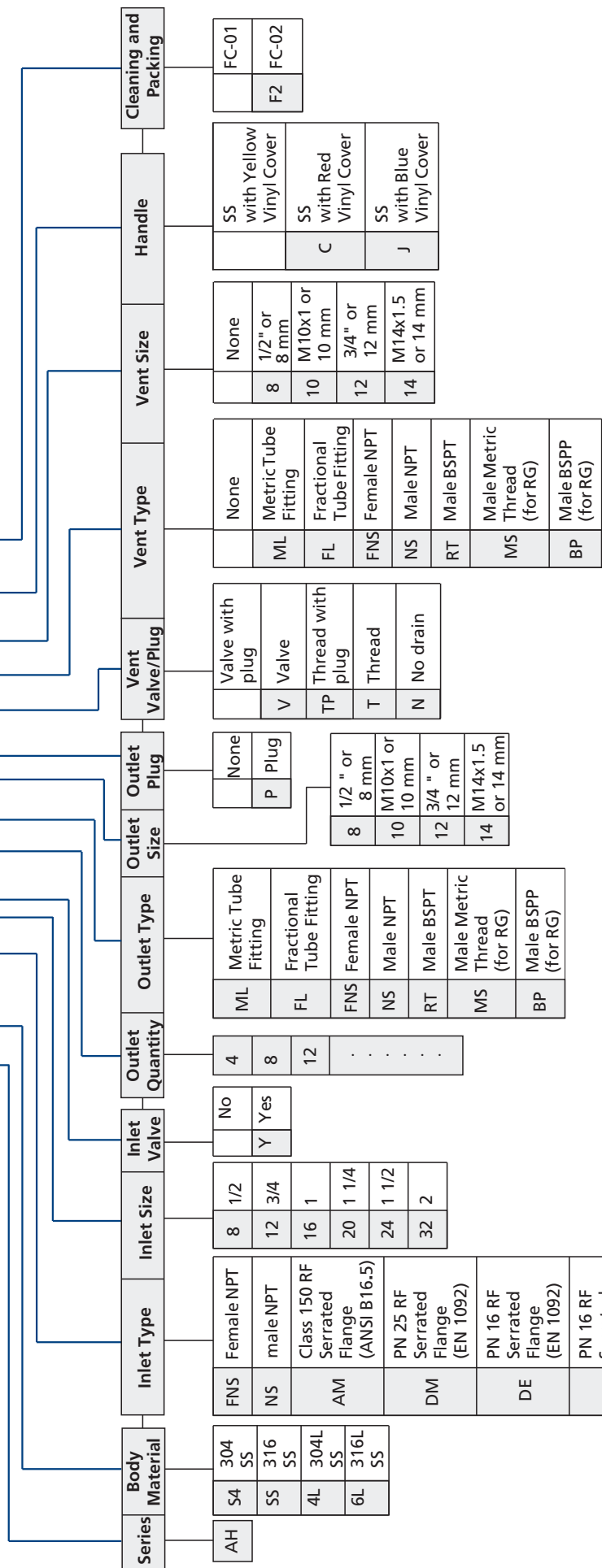


#### Caution:

Hold the valve body first when installing the fitting onto the outlet line. If the valve body bears large rotational torque, branch seal areas may be loose and leak may occur.

# Ordering Number Description

AHS4 – FNS8Y – 4ML10P – VFNS8 – C – F2



Note: "Ordering Number Description" is a reference to understand the combination rules of FITOK product part number. Not all combinations are available.

Cleaning and Packaging:  
 FC-01: Standard cleaning and packaging for general industrial procedures.  
 FC-02: Special cleaning and packaging for wetted system components to ensure compliance with product cleanliness requirements as stated in ASTM G93 Level C.

## **FITOK Group**

### **FITOK GmbH (Headquarter)**

Sprendlinger Landstr. 115, 63069 Offenbach am Main, Germany  
Tel.: +49 69 8900 4498 Fax: +49 69 8900 4495

### **FITOK, Inc.**

13843 North Promenade Blvd., Suite 750, Stafford, Texas 77477, USA  
Tel.: +1 281 888 0077 Fax: +1 281 582 4051

### **FITOK Incorporated**

Block C, Zone E, Yingtai Industrial Park, Dalang Street,  
Longhua New District, Shenzhen, 518109, China  
Tel.: +86 755 2803 2500 Fax: +86 755 2803 2619

### **FITOK Middle East Oil Equipment Trading LLC**

208-209, Makateb Building, Airport Road, P.O.Box 185412, Deira, Dubai, UAE  
Tel.: +971 4 2959 853 Fax: +971 4 2959 854

[info@fitokgroup.com](mailto:info@fitokgroup.com)  
[www.fitokgroup.com](http://www.fitokgroup.com)

FK-IC-GV-15-EN-170424