

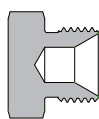
# 10K Series Pipe Fittings



**FITOK**  
Valves and Fittings

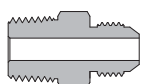
# Contents

Pipe Plugs - HPP



02

Hex Nipples - HPHN



02

Hex Long Nipples - HPLN



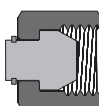
07

Pipe Caps - HPC



08

Pipe Caps Assembly(Moveable Insert)-HMC



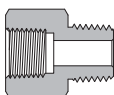
08

Hex Couplings - HPCG



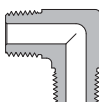
09

Adapters - HPA



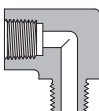
13

Male Elbows - HPME



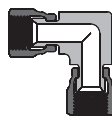
22

Street Elbows - HPSE



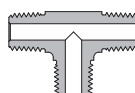
24

Female Elbows - HPE



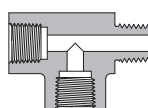
25

Male Tees - HPMT



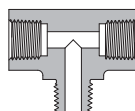
26

Male Street Tees - HPST



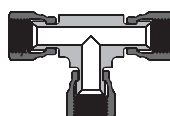
27

Male Branch Tees - HPBT



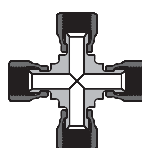
28

Female Tees - HPT



28

Female Crosses - HPCR



29

Part Number Description

31

## Features

- ◎ The hardened threads with smooth surface finishing avoid galling and help to extend the fitting service life.
- ◎ Radius junction design with elbows provides smooth flow path.
- ◎ Every fitting is stamped with size, material and heat code.
- ◎ 316 stainless steel is standard material. Other materials are available upon request.

## Thread Specifications

Connection Type	Code	Thread Type	Thread Specification
NPT	NS	NPT	ASME B1.20.1, SAE AS71051
ISO Tapered	RT	ISO Tapered	ISO 7-1, BS EN 10226-1, JIS B0203
ISO Parallel Male	HBP	ISO Parallel	ISO 228, JIS B0202, BS 2779
ISO Parallel Female Swivel	SBP	ISO Parallel	ISO 228, JIS B0202, BS 2779
JIC (37° Flare)	AN	SAE/MS	ASME B1.1
JIC (37° Flare) Female Swivel	AS	SAE/MS	ASME B1.1

## Working Temperature

Connection Type	Temperature Rating
NPT	-325°F to 400°F (-198°C to 204°C)
ISO Tapered	-325°F to 400°F (-198°C to 204°C)
ISO Parallel Male	-423°F to 1200°F (-252°C to 649°C)
ISO Parallel Female Swivel	-423°F to 1200°F (-252°C to 649°C)
JIC (37° Flare)	-423°F to 1200°F (-252°C to 649°C)
JIC (37° Flare) Female Swivel	-423°F to 1200°F (-252°C to 649°C)

## Working Pressure

The working pressures of 10K series pipe fittings are shown in the ordering information table.

## Elevated Temperature Factors

To get the maximum working pressure at elevated temperature, use the maximum working pressure at ambient temperature to multiply the factors in the table below.

Material	Temperature		Factor
	°F	°C	
316	100	38	1
	200	93	1
	300	149	1
	400	204	0.97
	500	260	0.90
	600	316	0.85
	700	371	0.82
	800	427	0.80

Data in this table is applied only to the working temperature below 800°F (427°C). For the working temperature above 800°F (427°C), please consult FITOK Group, then we will provide you relative solutions.

## Caution:

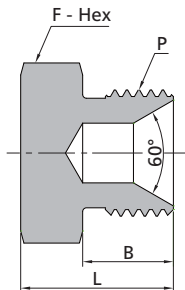
- ◎ Do not loosen or tighten fittings under pressure.
- ◎ Always use proper thread sealants on tapered pipe threads.

## 2 10K Series Pipe Fittings

For pipe fittings contain threads of 3/4 NPT, 1 NPT, 3/4 ISO Tapered and 1 ISO Tapered, please see FITOK Pipe Fittings catalogue.

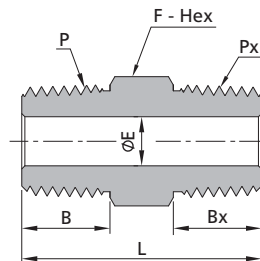
### Pipe Plugs

For Pipe Plugs contain threads of NPT, ISO Tapered or JIC(37° Flare), please see FITOK Pipe Fittings catalogue.



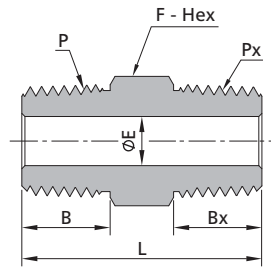
Male ISO Parallel Threads					
P-ISO Parallel Size	Ordering Number	Dimension, in. (mm)			Working Pressure psig (bar)
		L	F	B	
G1/4	SS-HPP-HBP4-10K	0.72(18.2)	0.63(15.9)	0.43(11.0)	10000 (690)
G3/8	SS-HPP-HBP6-10K	0.80(20.2)	0.81(20.6)	0.47(12.0)	10000 (690)
G1/2	SS-HPP-HBP8-10K	0.95(24.2)	1.00(25.4)	0.55(14.0)	10000 (690)
G3/4	SS-HPP-HBP12-10K	1.11(28.2)	1.25(31.8)	0.63(16.0)	10000 (690)
G1	SS-HPP-HBP16-10K	1.35(34.2)	1.50(38.1)	0.75(19.0)	10000 (690)

### Hex Nipples



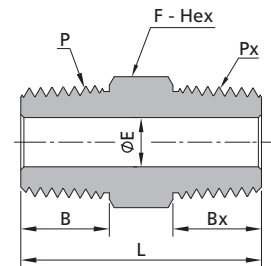
Male NPT Threads									
P-NPT Size	Px-NPT Size	Ordering Number	Dimension, in. (mm)					Working Pressure psig (bar)	
			L	F	B	Bx	E		
1/8	1/8	SS-HPHN-NS2-10K	1.05 (26.6)	0.44 (11.1)	0.38 (9.7)	0.38 (9.7)	0.22 (5.5)	10000 (690)	
1/4	1/8	SS-HPHN-NS4-NS2-10K	1.30 (32.9)	0.56 (14.3)	0.56 (14.2)	0.38 (9.7)	0.22 (5.5)	10000 (690)	
1/4	1/4	SS-HPHN-NS4-10K	1.47 (37.4)	0.56 (14.3)	0.56 (14.2)	0.56 (14.2)	0.28 (7.1)	10000 (690)	
3/8	1/8	SS-HPHN-NS6-NS2-10K	1.34 (34.1)	0.69 (17.5)	0.56 (14.2)	0.38 (9.7)	0.22 (5.5)	10000 (690)	
3/8	1/4	SS-HPHN-NS6-NS4-10K	1.52 (38.6)	0.69 (17.5)	0.56 (14.2)	0.56 (14.2)	0.28 (7.1)	10000 (690)	
3/8	3/8	SS-HPHN-NS6-10K	1.52 (38.6)	0.69 (17.5)	0.56 (14.2)	0.56 (14.2)	0.38 (9.6)	10000 (690)	
1/2	1/8	SS-HPHN-NS8-NS2-10K	1.58 (40.2)	0.87 (22.2)	0.75 (19.1)	0.38 (9.7)	0.22 (5.5)	10000 (690)	
1/2	1/4	SS-HPHN-NS8-NS4-10K	1.76 (44.7)	0.87 (22.2)	0.75 (19.1)	0.56 (14.2)	0.28 (7.1)	10000 (690)	
1/2	3/8	SS-HPHN-NS8-NS6-10K	1.76 (44.7)	0.87 (22.2)	0.75 (19.1)	0.56 (14.2)	0.38 (9.6)	10000 (690)	
1/2	1/2	SS-HPHN-NS8-10K	1.95 (49.6)	0.87 (22.2)	0.75 (19.1)	0.75 (19.1)	0.47 (11.9)	10000 (690)	

Hex Nipples



Male NPT Threads			Male ISO Tapered Threads					Working Pressure psig (bar)
P-NPT Size	Px-ISO Tapered Size	Ordering Number	Dimension, in. (mm)					
			L	F	B	Bx	E	
1/8	1/8	SS-HPHN-NS2-RT2-10K	1.05 (26.6)	0.44 (11.1)	0.38 (9.7)	0.38 (9.7)	0.22 (5.5)	10000 (690)
1/4	1/8	SS-HPHN-NS4-RT2-10K	1.30 (32.9)	0.56 (14.3)	0.56 (14.2)	0.38 (9.7)	0.22 (5.5)	10000 (690)
1/4	1/4	SS-HPHN-NS4-RT4-10K	1.47 (37.4)	0.56 (14.3)	0.56 (14.2)	0.56 (14.2)	0.28 (7.1)	10000 (690)
3/8	1/8	SS-HPHN-NS6-RT2-10K	1.34 (34.1)	0.69 (17.5)	0.56 (14.2)	0.38 (9.7)	0.22 (5.5)	10000 (690)
3/8	1/4	SS-HPHN-NS6-RT4-10K	1.52 (38.6)	0.69 (17.5)	0.56 (14.2)	0.56 (14.2)	0.28 (7.1)	10000 (690)
3/8	3/8	SS-HPHN-NS6-RT6-10K	1.52 (38.6)	0.69 (17.5)	0.56 (14.2)	0.56 (14.2)	0.38 (9.6)	10000 (690)
1/2	1/8	SS-HPHN-NS8-RT2-10K	1.58 (40.2)	0.87 (22.2)	0.75 (19.1)	0.38 (9.7)	0.22 (5.5)	10000 (690)
1/2	1/4	SS-HPHN-NS8-RT4-10K	1.76 (44.7)	0.87 (22.2)	0.75 (19.1)	0.56 (14.2)	0.28 (7.1)	10000 (690)
1/2	3/8	SS-HPHN-NS8-RT6-10K	1.76 (44.7)	0.87 (22.2)	0.75 (19.1)	0.56 (14.2)	0.38 (9.6)	10000 (690)
1/2	1/2	SS-HPHN-NS8-RT8-10K	1.95 (49.6)	0.87 (22.2)	0.75 (19.1)	0.75 (19.1)	0.47 (11.9)	10000 (690)

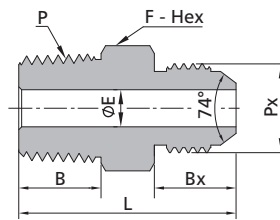
Hex Nipples



Male ISO Tapered Threads			Dimension, in. (mm)					Working Pressure psig (bar)
P-ISO Tapered Size	Px-ISO Tapered Size	Ordering Number	L	F	B	Bx	E	
1/8	1/8	SS-HPHN-RT2-10K	1.05 (26.6)	0.44 (11.1)	0.38 (9.7)	0.38 (9.7)	0.22 (5.5)	10000 (690)
1/4	1/8	SS-HPHN-RT4-RT2-10K	1.30 (32.9)	0.56 (14.3)	0.56 (14.2)	0.38 (9.7)	0.22 (5.5)	10000 (690)
1/4	1/4	SS-HPHN-RT4-10K	1.47 (37.4)	0.56 (14.3)	0.56 (14.2)	0.56 (14.2)	0.28 (7.1)	10000 (690)
3/8	1/8	SS-HPHN-RT6-RT2-10K	1.34 (34.1)	0.69 (17.5)	0.56 (14.2)	0.38 (9.7)	0.22 (5.5)	10000 (690)
3/8	1/4	SS-HPHN-RT6-RT4-10K	1.52 (38.6)	0.69 (17.5)	0.56 (14.2)	0.56 (14.2)	0.28 (7.1)	10000 (690)
3/8	3/8	SS-HPHN-RT6-10K	1.52 (38.6)	0.69 (17.5)	0.56 (14.2)	0.56 (14.2)	0.38 (9.6)	10000 (690)
1/2	1/8	SS-HPHN-RT8-RT2-10K	1.58 (40.2)	0.87 (22.2)	0.75 (19.1)	0.38 (9.7)	0.22 (5.5)	10000 (690)
1/2	1/4	SS-HPHN-RT8-RT4-10K	1.76 (44.7)	0.87 (22.2)	0.75 (19.1)	0.56 (14.2)	0.28 (7.1)	10000 (690)
1/2	3/8	SS-HPHN-RT8-RT6-10K	1.76 (44.7)	0.87 (22.2)	0.75 (19.1)	0.56 (14.2)	0.38 (9.6)	10000 (690)
1/2	1/2	SS-HPHN-RT8-10K	1.95 (49.6)	0.87 (22.2)	0.75 (19.1)	0.75 (19.1)	0.47 (11.9)	10000 (690)

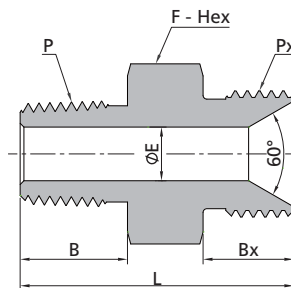
## 4 10K Series Pipe Fittings

### Hex Nipples



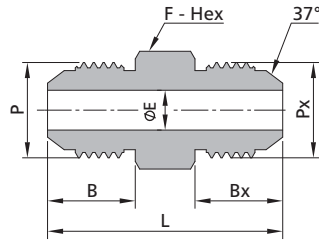
Male NPT Threads			Dimension, in. (mm)					Male JIC
P-NPT Size	Px-SAE/MS Thread Size	Ordering Number	L	F	B	Bx	E	Working Pressure psig (bar)
1/8	7/16-20	SS-HPHN-NS2-AN4-10K	1.23 (31.3)	0.50 (12.7)	0.38 (9.7)	0.55 (14.0)	0.17 (4.4)	10000 (690)
1/8	9/16-18	SS-HPHN-NS2-AN6-10K	1.31 (33.4)	0.63 (15.9)	0.38 (9.7)	0.56 (14.1)	0.22 (5.5)	10000 (690)
1/4	7/16-20	SS-HPHN-NS4-AN4-10K	1.46 (37.2)	0.56 (14.3)	0.56 (14.2)	0.55 (14.0)	0.17 (4.4)	10000 (690)
1/4	9/16-18	SS-HPHN-NS4-AN6-10K	1.49 (37.9)	0.63 (15.9)	0.56 (14.2)	0.56 (14.1)	0.28 (7.1)	10000 (690)
1/4	3/4-16	SS-HPHN-NS4-AN8-10K	1.65 (41.9)	0.81 (20.6)	0.56 (14.2)	0.66 (16.7)	0.28 (7.1)	10000 (690)
3/8	9/16-18	SS-HPHN-NS6-AN6-10K	1.52 (38.5)	0.69 (17.5)	0.56 (14.2)	0.55 (14.0)	0.30 (7.5)	10000 (690)
3/8	3/4-16	SS-HPHN-NS6-AN8-10K	1.62 (41.1)	0.81 (20.6)	0.56 (14.2)	0.56 (14.1)	0.38 (9.6)	10000 (690)
3/8	7/8-14	SS-HPHN-NS6-AN10-10K	1.79 (45.5)	0.94 (23.8)	0.56 (14.2)	0.66 (16.7)	0.38 (9.6)	10000 (690)
1/2	7/16-20	SS-HPHN-NS8-AN4-10K	1.75 (44.5)	0.87 (22.2)	0.75 (19.1)	0.55 (14.0)	0.17 (4.4)	10000 (690)
1/2	9/16-18	SS-HPHN-NS8-AN6-10K	1.75 (44.6)	0.87 (22.2)	0.75 (19.1)	0.56 (14.1)	0.30 (7.5)	10000 (690)
1/2	3/4-16	SS-HPHN-NS8-AN8-10K	1.86 (47.2)	0.87 (22.2)	0.75 (19.1)	0.66 (16.7)	0.39 (9.9)	10000 (690)
1/2	7/8-14	SS-HPHN-NS8-AN10-10K	1.98 (50.4)	0.94 (23.8)	0.75 (19.1)	0.76 (19.3)	0.47 (11.9)	10000 (690)

### Hex Nipples



Male NPT Threads			Male ISO Parallel Threads					
P-NPT Size	P-ISO Parallel Size	Ordering Number	Dimension, in. (mm)					Working Pressure psig (bar)
			L	F	B	Bx	E	
1/8	G1/4	SS-HPHN-NS2-HBP4-10K	1.15(29.3)	0.63(15.9)	0.38(9.8)	0.43(11.0)	0.19(4.7)	10000 (690)
1/8	G3/8	SS-HPHN-NS2-HBP6-10K	1.25(31.8)	0.81(20.6)	0.38(9.8)	0.47(12.0)	0.22(5.5)	10000 (690)
1/4	G1/4	SS-HPHN-NS4-HBP4-10K	1.33(33.8)	0.63(15.9)	0.56(14.2)	0.43(11.0)	0.19(4.7)	10000 (690)
1/4	G3/8	SS-HPHN-NS4-HBP6-10K	1.43(36.2)	0.81(20.6)	0.56(14.2)	0.47(12.0)	0.28(7.1)	10000 (690)
1/4	G1/2	SS-HPHN-NS4-HBP8-10K	1.57(39.8)	1.00(25.4)	0.56(14.2)	0.55(14.0)	0.28(7.1)	10000 (690)
3/8	G1/4	SS-HPHN-NS6-HBP4-10K	1.35(34.4)	0.69(17.5)	0.56(14.2)	0.43(11.0)	0.19(4.7)	10000 (690)
3/8	G3/8	SS-HPHN-NS6-HBP6-10K	1.43(36.2)	0.81(20.6)	0.56(14.2)	0.47(12.0)	0.31(7.9)	10000 (690)
3/8	G1/2	SS-HPHN-NS6-HBP8-10K	1.57(39.8)	1.00(25.4)	0.56(14.2)	0.55(14.0)	0.38(9.6)	10000 (690)
1/2	G1/4	SS-HPHN-NS8-HBP4-10K	1.55(39.3)	0.69(17.5)	0.75(19.1)	0.43(11.0)	0.19(4.7)	10000 (690)
1/2	G3/8	SS-HPHN-NS8-HBP6-10K	1.62(41.1)	0.81(20.6)	0.75(19.1)	0.47(12.0)	0.31(7.9)	10000 (690)
1/2	G1/2	SS-HPHN-NS8-HBP8-10K	1.76(44.7)	1.00(25.4)	0.75(19.1)	0.55(14.0)	0.44(11.1)	10000 (690)

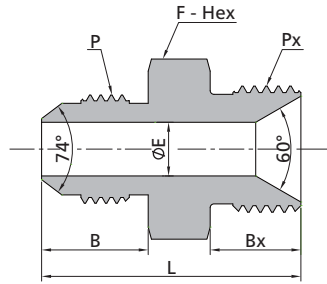
Hex Nipples



Male JIC			Dimension, in. (mm)					Working Pressure psig (bar)
P-SAE/MS Thread Size	Px-SAE/MS Thread Size	Ordering Number	L	F	B	Bx	E	
7/16-20	7/16-20	SS-HPHN-AN4-10K	1.40 (35.6)	0.50 (12.7)	0.55 (14.0)	0.55 (14.0)	0.17 (4.4)	10000 (690)
9/16-18	7/16-20	SS-HPHN-AN6-AN4-10K	1.48 (37.7)	0.63 (15.9)	0.56 (14.1)	0.55 (14.0)	0.17 (4.4)	10000 (690)
9/16-18	9/16-18	SS-HPHN-AN6-10K	1.49 (37.8)	0.63 (15.9)	0.56 (14.1)	0.56 (14.1)	0.30 (7.5)	10000 (690)
3/4-16	9/16-18	SS-HPHN-AN8-AN6-10K	1.65 (41.8)	0.81 (20.6)	0.66 (16.7)	0.56 (14.1)	0.30 (7.5)	10000 (690)
3/4-16	3/4-16	SS-HPHN-AN8-10K	1.75 (44.4)	0.81 (20.6)	0.66 (16.7)	0.66 (16.7)	0.39 (9.9)	10000 (690)
7/8-14	9/16-18	SS-HPHN-AN10-AN6-10K	1.79 (45.4)	0.94 (23.8)	0.76 (19.3)	0.56 (14.1)	0.30 (7.5)	10000 (690)
7/8-14	3/4-16	SS-HPHN-AN10-AN8-10K	1.89 (48.0)	0.94 (23.8)	0.76 (19.3)	0.66 (16.7)	0.39 (9.9)	10000 (690)
7/8-14	7/8-14	SS-HPHN-AN10-10K	1.99 (50.6)	0.94 (23.8)	0.76 (19.3)	0.76 (19.3)	0.48 (12.3)	10000 (690)
1 1/16-12	3/4-16	SS-HPHN-AN12-AN8-10K	2.07 (52.6)	1.13 (28.6)	0.86 (21.9)	0.66 (16.7)	0.39 (9.9)	10000 (690)
1 1/16-12	7/8-14	SS-HPHN-AN12-AN10-10K	2.17 (55.2)	1.13 (28.6)	0.86 (21.9)	0.76 (19.3)	0.48 (12.3)	10000 (690)
1 1/16-12	1 1/16-12	SS-HPHN-AN12-10K	2.28 (57.8)	1.13 (28.6)	0.86 (21.9)	0.86 (21.9)	0.61 (15.5)	10000 (690)
1 5/16-12	7/8-14	SS-HPHN-AN16-AN10-10K	2.31 (58.6)	1.37 (34.9)	0.91 (23.1)	0.76 (19.3)	0.48 (12.3)	10000 (690)
1 5/16-12	1 1/16-12	SS-HPHN-AN16-AN12-10K	2.41 (61.2)	1.37 (34.9)	0.91 (23.1)	0.86 (21.9)	0.61 (15.5)	10000 (690)
1 5/16-12	1 5/16-12	SS-HPHN-AN16-10K	2.46 (62.4)	1.37 (34.9)	0.91 (23.1)	0.91 (23.1)	0.84 (21.4)	10000 (690)

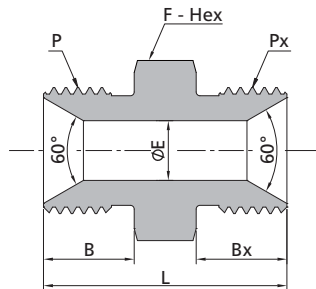
6 10K Series Pipe Fittings

Hex Nipples



Male JIC			Male ISO Parallel Threads					
P-SAE/MS Thread Size	P-ISO Parallel Size	Ordering Number	Dimension, in. (mm)					Working Pressure psig (bar)
			L	F	B	Bx	E	
7/16-20	G1/4	SS-HPHN-AN4-HBP4-10K	1.27(32.2)	0.63(15.9)	0.55(14.0)	0.43(11.0)	0.17(4.4)	10000 (690)
7/16-20	G3/8	SS-HPHN-AN4-HBP6-10K	1.35(34.2)	0.81(20.6)	0.55(14.0)	0.47(12.0)	0.17(4.4)	10000 (690)
9/16-18	G1/4	SS-HPHN-AN6-HBP4-10K	1.27(32.2)	0.63(15.9)	0.56(14.1)	0.43(11.0)	0.19(4.7)	10000 (690)
9/16-18	G3/8	SS-HPHN-AN6-HBP6-10K	1.35(34.3)	0.81(20.6)	0.56(14.1)	0.47(12.0)	0.30(7.5)	10000 (690)
9/16-18	G1/2	SS-HPHN-AN6-HBP8-10K	1.51(38.3)	1.00(25.4)	0.56(14.1)	0.55(14.0)	0.30(7.5)	10000 (690)
3/4-16	G1/4	SS-HPHN-AN8-HBP4-10K	1.41(35.9)	0.81(20.6)	0.66(16.7)	0.43(11.0)	0.19(4.7)	10000 (690)
3/4-16	G3/8	SS-HPHN-AN8-HBP6-10K	1.45(36.9)	0.81(20.6)	0.66(16.7)	0.47(12.0)	0.31(7.9)	10000 (690)
3/4-16	G1/2	SS-HPHN-AN8-HBP8-10K	1.61(40.9)	1.00(25.4)	0.66(16.7)	0.55(14.0)	0.39(9.9)	10000 (690)
7/8-14	G1/4	SS-HPHN-AN10-HBP4-10K	1.59(40.5)	0.94(23.8)	0.76(19.3)	0.43(11.0)	0.19(4.7)	10000 (690)
7/8-14	G3/8	SS-HPHN-AN10-HBP6-10K	1.63(41.5)	0.94(23.8)	0.76(19.3)	0.47(12.0)	0.31(7.9)	10000 (690)
7/8-14	G1/2	SS-HPHN-AN10-HBP8-10K	1.71(43.5)	1.00(25.4)	0.76(19.3)	0.55(14.0)	0.44(11.1)	10000 (690)
1 1/16-12	G1/2	SS-HPHN-AN12-HBP8-10K	1.89(48.1)	1.13(28.6)	0.86(21.9)	0.55(14.0)	0.44(11.1)	10000 (690)
1 1/16-12	G3/4	SS-HPHN-AN12-HBP12-10K	1.97(50.1)	1.25(31.8)	0.86(21.9)	0.63(16.0)	0.61(15.5)	10000 (690)
1 1/16-12	G1	SS-HPHN-AN12-HBP16-10K	2.21(56.1)	1.50(38.1)	0.86(21.9)	0.75(19.0)	0.61(15.5)	10000 (690)
1 5/16-12	G1/2	SS-HPHN-AN16-HBP8-10K	2.06(52.3)	1.37(34.9)	0.91(23.1)	0.55(14.0)	0.44(11.1)	10000 (690)
1 5/16-12	G3/4	SS-HPHN-AN16-HBP12-10K	2.14(54.3)	1.37(34.9)	0.91(23.1)	0.63(16.0)	0.66(16.7)	10000 (690)
1 5/16-12	G1	SS-HPHN-AN16-HBP16-10K	2.26(57.3)	1.50(38.1)	0.91(23.1)	0.75(19.0)	0.84(21.4)	10000 (690)

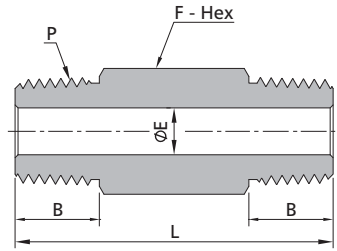
Hex Nipples



Male ISO Parallel Threads			Dimension, in. (mm)					Working Pressure psig (bar)
P-ISO Parallel Size	Px-ISO Parallel Size	Ordering Number	L	F	B	Bx	E	
G1/4	G1/4	SS-HPHN-HBP4-10K	1.15(29.2)	0.63(15.9)	0.43(11.0)	0.43(11.0)	0.19(4.7)	10000 (690)
G3/8	G1/4	SS-HPHN-HBP6-HBP4-10K	1.23(31.2)	0.81(20.6)	0.47(12.0)	0.43(11.0)	0.19(4.7)	10000 (690)
G3/8	G3/8	SS-HPHN-HBP6-10K	1.27(32.2)	0.81(20.6)	0.47(12.0)	0.47(12.0)	0.31(7.9)	10000 (690)
G1/2	G1/4	SS-HPHN-HBP8-HBP4-10K	1.39(35.2)	1.00(25.4)	0.55(14.0)	0.43(11.0)	0.19(4.7)	10000 (690)
G1/2	G3/8	SS-HPHN-HBP8-HBP6-10K	1.43(36.2)	1.00(25.4)	0.55(14.0)	0.47(12.0)	0.31(7.9)	10000 (690)
G1/2	G1/2	SS-HPHN-HBP8-10K	1.50(38.2)	1.00(25.4)	0.55(14.0)	0.55(14.0)	0.44(11.1)	10000 (690)
G3/4	G3/8	SS-HPHN-HBP12-HBP6-10K	1.58(40.2)	1.25(31.8)	0.63(16.0)	0.47(12.0)	0.31(7.9)	10000 (690)
G3/4	G1/2	SS-HPHN-HBP12-HBP8-10K	1.66(42.2)	1.25(31.8)	0.63(16.0)	0.55(14.0)	0.44(11.1)	10000 (690)
G3/4	G3/4	SS-HPHN-HBP12-10K	1.74(44.2)	1.25(31.8)	0.63(16.0)	0.63(16.0)	0.66(16.7)	10000 (690)
G1	G1/2	SS-HPHN-HBP16-HBP8-10K	1.90(48.2)	1.50(38.1)	0.75(19.0)	0.55(14.0)	0.44(11.1)	10000 (690)
G1	G3/4	SS-HPHN-HBP16-HBP12-10K	1.98(50.2)	1.50(38.1)	0.75(19.0)	0.63(16.0)	0.66(16.7)	10000 (690)
G1	G1	SS-HPHN-HBP16-10K	2.09(53.2)	1.50(38.1)	0.75(19.0)	0.75(19.0)	0.87(22.2)	10000 (690)

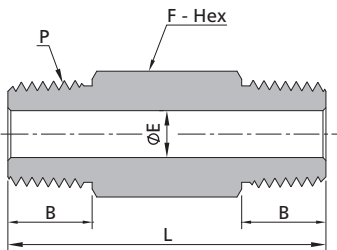


Hex Long Nipples



Male NPT Threads						
P-NPT Size	Ordering Number	Dimension, in. (mm)				Working Pressure psig (bar)
		L	F	B	E	
1/8	SS-HPLN-NS2-1.5-10K	1.50 (38.1)	0.44 (11.1)	0.38 (9.7)	0.22 (5.5)	10000 (690)
1/8	SS-HPLN-NS2-2-10K	2.00 (50.8)	0.44 (11.1)	0.38 (9.7)	0.22 (5.5)	10000 (690)
1/8	SS-HPLN-NS2-2.5-10K	2.50 (63.5)	0.44 (11.1)	0.38 (9.7)	0.22 (5.5)	10000 (690)
1/8	SS-HPLN-NS2-3-10K	3.00 (76.2)	0.44 (11.1)	0.38 (9.7)	0.22 (5.5)	10000 (690)
1/4	SS-HPLN-NS4-2-10K	2.00 (50.8)	0.56 (14.3)	0.56 (14.2)	0.28 (7.1)	10000 (690)
1/4	SS-HPLN-NS4-2.5-10K	2.50 (63.5)	0.56 (14.3)	0.56 (14.2)	0.28 (7.1)	10000 (690)
1/4	SS-HPLN-NS4-3-10K	3.00 (76.2)	0.56 (14.3)	0.56 (14.2)	0.28 (7.1)	10000 (690)
1/4	SS-HPLN-NS4-4-10K	4.00 (101.6)	0.56 (14.3)	0.56 (14.2)	0.28 (7.1)	10000 (690)
3/8	SS-HPLN-NS6-2-10K	2.00 (50.8)	0.69 (17.5)	0.56 (14.2)	0.38 (9.6)	10000 (690)
3/8	SS-HPLN-NS6-2.5-10K	2.50 (63.5)	0.69 (17.5)	0.56 (14.2)	0.38 (9.6)	10000 (690)
3/8	SS-HPLN-NS6-3-10K	3.00 (76.2)	0.69 (17.5)	0.56 (14.2)	0.38 (9.6)	10000 (690)
3/8	SS-HPLN-NS6-4-10K	4.00 (101.6)	0.69 (17.5)	0.56 (14.2)	0.38 (9.6)	10000 (690)
1/2	SS-HPLN-NS8-3-10K	3.00 (76.2)	0.87 (22.2)	0.75 (19.1)	0.47 (11.9)	10000 (690)
1/2	SS-HPLN-NS8-4-10K	4.00 (101.6)	0.87 (22.2)	0.75 (19.1)	0.47 (11.9)	10000 (690)
1/2	SS-HPLN-NS8-6-10K	6.00 (152.4)	0.87 (22.2)	0.75 (19.1)	0.47 (11.9)	10000 (690)

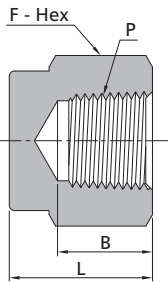
Hex Long Nipples



Male ISO Tapered Threads						
P-ISO Tapered Size	Ordering Number	Dimension, in. (mm)				Working Pressure psig (bar)
		L	F	B	E	
1/8	SS-HPLN-RT2-1.5-10K	1.50 (38.1)	0.44 (11.1)	0.38 (9.7)	0.22 (5.5)	10000 (690)
1/8	SS-HPLN-RT2-2-10K	2.00 (50.8)	0.44 (11.1)	0.38 (9.7)	0.22 (5.5)	10000 (690)
1/8	SS-HPLN-RT2-2.5-10K	2.50 (63.5)	0.44 (11.1)	0.38 (9.7)	0.22 (5.5)	10000 (690)
1/8	SS-HPLN-RT2-3-10K	3.00 (76.2)	0.44 (11.1)	0.38 (9.7)	0.22 (5.5)	10000 (690)
1/4	SS-HPLN-RT4-2-10K	2.00 (50.8)	0.56 (14.3)	0.56 (14.2)	0.28 (7.1)	10000 (690)
1/4	SS-HPLN-RT4-2.5-10K	2.50 (63.5)	0.56 (14.3)	0.56 (14.2)	0.28 (7.1)	10000 (690)
1/4	SS-HPLN-RT4-3-10K	3.00 (76.2)	0.56 (14.3)	0.56 (14.2)	0.28 (7.1)	10000 (690)
1/4	SS-HPLN-RT4-4-10K	4.00 (101.6)	0.56 (14.3)	0.56 (14.2)	0.28 (7.1)	10000 (690)
3/8	SS-HPLN-RT6-2-10K	2.00 (50.8)	0.69 (17.5)	0.56 (14.2)	0.38 (9.6)	10000 (690)
3/8	SS-HPLN-RT6-2.5-10K	2.50 (63.5)	0.69 (17.5)	0.56 (14.2)	0.38 (9.6)	10000 (690)
3/8	SS-HPLN-RT6-3-10K	3.00 (76.2)	0.69 (17.5)	0.56 (14.2)	0.38 (9.6)	10000 (690)
3/8	SS-HPLN-RT6-4-10K	4.00 (101.6)	0.69 (17.5)	0.56 (14.2)	0.38 (9.6)	10000 (690)
1/2	SS-HPLN-RT8-3-10K	3.00 (76.2)	0.87 (22.2)	0.75 (19.1)	0.47 (11.9)	10000 (690)
1/2	SS-HPLN-RT8-4-10K	4.00 (101.6)	0.87 (22.2)	0.75 (19.1)	0.47 (11.9)	10000 (690)
1/2	SS-HPLN-RT8-6-10K	6.00 (152.4)	0.87 (22.2)	0.75 (19.1)	0.47 (11.9)	10000 (690)

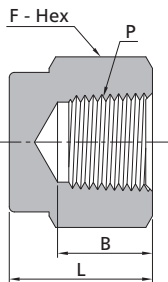
## 8 10K Series Pipe Fittings

### Pipe Caps



Female NPT Threads					
P-NPT Size	Ordering Number	Dimension, in. (mm)			Working Pressure psig (bar)
		L	F	B	
1/8	SS-HPC-NS2-10K	0.75 (19.1)	0.56 (14.3)	0.41 (10.4)	10000 (690)
1/4	SS-HPC-NS4-10K	0.91 (23.1)	0.75 (19.1)	0.59 (15.0)	10000 (690)
3/8	SS-HPC-NS6-10K	1.03 (26.2)	0.94 (23.8)	0.59 (15.0)	10000 (690)
1/2	SS-HPC-NS8-10K	1.34 (34.0)	1.19 (30.2)	0.78 (19.8)	10000 (690)

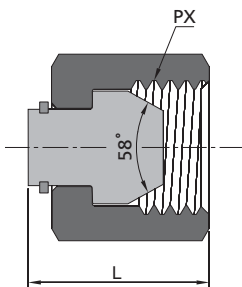
### Pipe Caps



Female ISO Tapered Threads					
P-ISO Tapered Size	Ordering Number	Dimension, in. (mm)			Working Pressure psig (bar)
		L	F	B	
1/8	SS-HPC-RT2-10K	0.75 (19.1)	0.56 (14.3)	0.41 (10.4)	10000 (690)
1/4	SS-HPC-RT4-10K	0.91 (23.1)	0.75 (19.1)	0.59 (15.0)	10000 (690)
3/8	SS-HPC-RT6-10K	1.03 (26.2)	0.94 (23.8)	0.59 (15.0)	10000 (690)
1/2	SS-HPC-RT8-10K	1.34 (34.0)	1.19 (30.2)	0.78 (19.8)	10000 (690)

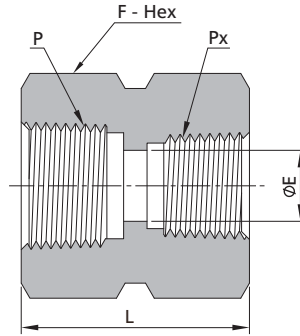
For Pipe Caps contain threads of JIC (37°), please see FITOK Pipe Fittings catalogue.

### Pipe Caps Assembly (Moveable Insert)



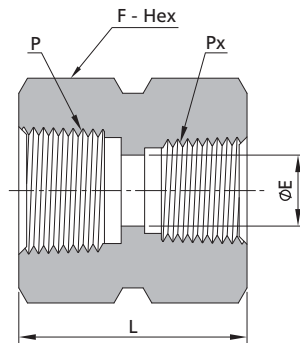
Female ISO Parallel Threads					
P-ISO Parallel Size	Ordering Number	Dimension, in. (mm)		Working Pressure psig (bar)	
		L	F		
G1/4	SS-HMC-SBP4-10K	0.70(17.8)	0.63(15.9)	10000 (690)	
G3/8	SS-HMC-SBP6-10K	0.80(20.3)	0.81(20.6)	10000 (690)	
G1/2	SS-HMC-SBP8-10K	0.94(23.9)	1.00(25.4)	10000 (690)	
G3/4	SS-HMC-SBP12-10K	1.06(26.9)	1.25(31.8)	10000 (690)	
G1	SS-HMC-SBP16-10K	1.33(33.8)	1.50(38.1)	10000 (690)	

Hex Couplings



Female NPT Threads			Dimension, in. (mm)			Working Pressure psig (bar)
P-NPT Size	Px-NPT Size	Ordering Number	L	F	E	
1/8	1/8	SS-HPCG-NS2-10K	0.94 (23.8)	0.56 (14.3)	0.31 (8.0)	10000 (690)
1/4	1/8	SS-HPCG-NS4-NS2-10K	1.14 (28.9)	0.75 (19.1)	0.31 (8.0)	10000 (690)
1/4	1/4	SS-HPCG-NS4-10K	1.32 (33.5)	0.75 (19.1)	0.41 (10.4)	10000 (690)
3/8	1/8	SS-HPCG-NS6-NS2-10K	1.14 (28.9)	0.94 (23.8)	0.31 (8.0)	10000 (690)
3/8	1/4	SS-HPCG-NS6-NS4-10K	1.32 (33.5)	0.94 (23.8)	0.41 (10.4)	10000 (690)
3/8	3/8	SS-HPCG-NS6-10K	1.32 (33.5)	0.94 (23.8)	0.54 (13.8)	10000 (690)
1/2	1/8	SS-HPCG-NS8-NS2-10K	1.35 (34.2)	1.19 (30.2)	0.31 (8.0)	10000 (690)
1/2	1/4	SS-HPCG-NS8-NS4-10K	1.53 (38.8)	1.19 (30.2)	0.41 (10.4)	10000 (690)
1/2	3/8	SS-HPCG-NS8-NS6-10K	1.53 (38.8)	1.19 (30.2)	0.54 (13.8)	10000 (690)
1/2	1/2	SS-HPCG-NS8-10K	1.72 (43.8)	1.19 (30.2)	0.67 (17.0)	10000 (690)

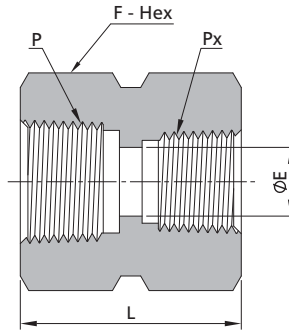
Hex Couplings



Female NPT Threads			Female ISO Tapered Threads			Working Pressure psig (bar)
P-NPT Size	Px-ISO Tapered Size	Ordering Number	Dimension, in. (mm)			
			L	F	E	
1/8	1/8	SS-HPCG-NS2-RT2-10K	0.94 (23.8)	0.56 (14.3)	0.31 (8.0)	10000 (690)
1/4	1/8	SS-HPCG-NS4-RT2-10K	1.14 (28.9)	0.75 (19.1)	0.31 (8.0)	10000 (690)
1/4	1/4	SS-HPCG-NS4-RT4-10K	1.32 (33.5)	0.75 (19.1)	0.41 (10.4)	10000 (690)
3/8	1/8	SS-HPCG-NS6-RT2-10K	1.14 (28.9)	0.94 (23.8)	0.31 (8.0)	10000 (690)
3/8	1/4	SS-HPCG-NS6-RT4-10K	1.32 (33.5)	0.94 (23.8)	0.41 (10.4)	10000 (690)
3/8	3/8	SS-HPCG-NS6-RT6-10K	1.32 (33.5)	0.94 (23.8)	0.54 (13.8)	10000 (690)
1/2	1/8	SS-HPCG-NS8-RT2-10K	1.35 (34.2)	1.19 (30.2)	0.31 (8.0)	10000 (690)
1/2	1/4	SS-HPCG-NS8-RT4-10K	1.53 (38.8)	1.19 (30.2)	0.41 (10.4)	10000 (690)
1/2	3/8	SS-HPCG-NS8-RT6-10K	1.53 (38.8)	1.19 (30.2)	0.54 (13.8)	10000 (690)
1/2	1/2	SS-HPCG-NS8-RT8-10K	1.72 (43.8)	1.19 (30.2)	0.67 (17.0)	10000 (690)

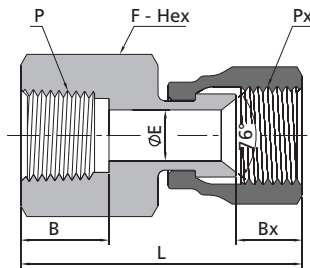
## 10 10K Series Pipe Fittings

### Hex Couplings



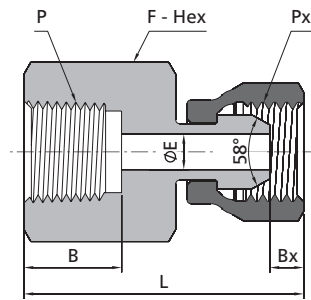
Female ISO Tapered Threads			Dimension, in. (mm)			Working Pressure psig (bar)
P-ISO Tapered Size	Px-ISO Tapered Size	Ordering Number	L	F	E	
1/8	1/8	SS-HPCG-RT2-10K	0.94 (23.8)	0.56 (14.3)	0.31 (8.0)	10000 (690)
1/4	1/8	SS-HPCG-RT4-RT2-10K	1.14 (28.9)	0.75 (19.1)	0.31 (8.0)	10000 (690)
1/4	1/4	SS-HPCG-RT4-10K	1.32 (33.5)	0.75 (19.1)	0.41 (10.4)	10000 (690)
3/8	1/8	SS-HPCG-RT6-RT2-10K	1.14 (28.9)	0.94 (23.8)	0.31 (8.0)	10000 (690)
3/8	1/4	SS-HPCG-RT6-RT4-10K	1.32 (33.5)	0.94 (23.8)	0.41 (10.4)	10000 (690)
3/8	3/8	SS-HPCG-RT6-10K	1.32 (33.5)	0.94 (23.8)	0.54 (13.8)	10000 (690)
1/2	1/8	SS-HPCG-RT8-RT2-10K	1.35 (34.2)	1.19 (30.2)	0.31 (8.0)	10000 (690)
1/2	1/4	SS-HPCG-RT8-RT4-10K	1.53 (38.8)	1.19 (30.2)	0.41 (10.4)	10000 (690)
1/2	3/8	SS-HPCG-RT8-RT6-10K	1.53 (38.8)	1.19 (30.2)	0.54 (13.8)	10000 (690)
1/2	1/2	SS-HPCG-RT8-10K	1.72 (43.8)	1.19 (30.2)	0.67 (17.0)	10000 (690)

### Hex Couplings



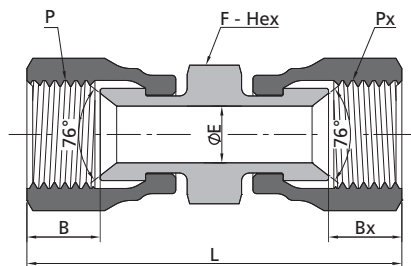
Female NPT Threads			Dimension, in. (mm)					Working Pressure psig (bar)
P-NPT Size	Px-SAE/MS Thread Size	Ordering Number	L	F	B	Bx	E	
1/8	7/16-20	SS-HPCG-NS2-AS4-10K	1.39(35.3)	0.56(14.3)	0.41(10.4)	0.35(9.0)	0.17(4.4)	10000 (690)
1/4	7/16-20	SS-HPCG-NS4-AS4-10K	1.62(41.2)	0.75(19.1)	0.59(15.0)	0.35(9.0)	0.17(4.4)	10000 (690)
1/4	9/16-18	SS-HPCG-NS4-AS6-10K	1.65(41.9)	0.75(19.1)	0.59(15.0)	0.38(9.7)	0.30(7.5)	10000 (690)
3/8	7/16-20	SS-HPCG-NS6-AS4-10K	1.68(42.7)	0.94(23.8)	0.59(15.0)	0.35(9.0)	0.17(4.4)	10000 (690)
3/8	9/16-18	SS-HPCG-NS6-AS6-10K	1.71(43.4)	0.94(23.8)	0.59(15.0)	0.38(9.7)	0.30(7.5)	10000 (690)
3/8	3/4-16	SS-HPCG-NS6-AS8-10K	1.78(45.2)	0.94(23.8)	0.59(15.0)	0.43(11.0)	0.39(9.9)	10000 (690)
1/2	9/16-18	SS-HPCG-NS8-AS6-10K	1.97(50.1)	1.19(30.2)	0.78(19.8)	0.38(9.7)	0.30(7.5)	10000 (690)
1/2	3/4-16	SS-HPCG-NS8-AS8-10K	2.04(51.9)	1.19(30.2)	0.78(19.8)	0.43(11.0)	0.39(9.9)	10000 (690)
1/2	7/8-14	SS-HPCG-NS8-AS10-10K	2.13(54.2)	1.19(30.2)	0.78(19.8)	0.51(13.0)	0.48(12.3)	10000 (690)

Hex Couplings



Female NPT Threads			Female Swivel ISO Parallel Threads					
P-NPT Size	Px-ISO Parallel Size	Ordering Number	Dimension, in. (mm)					Working Pressure psig (bar)
			L	F	B	Bx	E	
1/8	G1/4	SS-HPCG-NS2-SBP4-10K	1.25(31.8)	0.63(15.9)	0.41(10.4)	0.18(4.5)	0.19(4.7)	10000 (690)
1/8	G3/8	SS-HPCG-NS2-SBP6-10K	1.33(33.8)	0.81(20.6)	0.41(10.4)	0.25(6.3)	0.31(7.9)	10000 (690)
1/4	G1/4	SS-HPCG-NS4-SBP4-10K	1.48(37.7)	0.75(19.1)	0.59(15.0)	0.18(4.5)	0.19(4.7)	10000 (690)
1/4	G3/8	SS-HPCG-NS4-SBP6-10K	1.56(39.7)	0.81(20.6)	0.59(15.0)	0.25(6.3)	0.31(7.9)	10000 (690)
1/4	G1/2	SS-HPCG-NS4-SBP8-10K	1.68(42.7)	1.00(25.4)	0.59(15.0)	0.28(7.0)	0.41(10.4)	10000 (690)
3/8	G1/4	SS-HPCG-NS6-SBP4-10K	1.54(39.2)	0.94(23.8)	0.59(15.0)	0.18(4.5)	0.19(4.7)	10000 (690)
3/8	G3/8	SS-HPCG-NS6-SBP6-10K	1.62(41.2)	0.94(23.8)	0.59(15.0)	0.25(6.3)	0.31(7.9)	10000 (690)
3/8	G1/2	SS-HPCG-NS6-SBP8-10K	1.74(44.2)	1.00(25.4)	0.59(15.0)	0.28(7.0)	0.44(11.1)	10000 (690)
1/2	G1/4	SS-HPCG-NS8-SBP4-10K	1.81(45.9)	1.19(30.2)	0.78(19.8)	0.18(4.0)	0.19(4.7)	10000 (690)
1/2	G3/8	SS-HPCG-NS8-SBP6-10K	1.89(47.9)	1.19(30.2)	0.78(19.8)	0.25(6.3)	0.31(7.9)	10000 (690)
1/2	G1/2	SS-HPCG-NS8-SBP8-10K	2.00(50.9)	1.19(30.2)	0.78(19.8)	0.28(7.0)	0.44(11.1)	10000 (690)

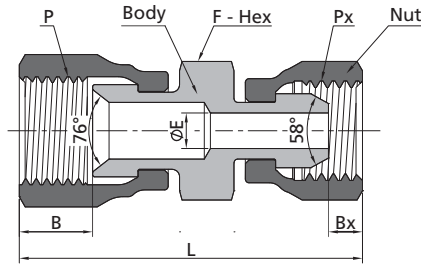
Hex Couplings



Female Swivel JIC			Dimension, in. (mm)					Working Pressure psig (bar)
P-SAE/MS Thread Size	Px-SAE/MS Thread Size	Ordering Number	L	F	B	Bx	E	
7/16-20	7/16-20	SS-HPCG-AS4-10K	1.90(48.2)	0.56(14.3)	0.35(9.0)	0.35(9.0)	0.17(4.4)	10000 (690)
9/16-18	7/16-20	SS-HPCG-AS6-AS4-10K	1.93(48.9)	0.63(15.9)	0.38(9.7)	0.35(9.0)	0.17(4.4)	10000 (690)
9/16-18	9/16-18	SS-HPCG-AS6-10K	1.95(49.6)	0.63(15.9)	0.38(9.7)	0.38(9.7)	0.30(7.5)	10000 (690)
3/4-16	9/16-18	SS-HPCG-AS8-AS6-10K	2.14(54.4)	0.87(22.2)	0.43(11.0)	0.38(9.7)	0.30(7.5)	10000 (690)
3/4-16	3/4-16	SS-HPCG-AS8-10K	2.21(56.2)	0.87(22.2)	0.43(11.0)	0.43(11.0)	0.39(9.9)	10000 (690)
7/8-14	3/4-16	SS-HPCG-AS10-AS8-10K	2.30(58.5)	1.00(25.4)	0.51(13.0)	0.43(11.0)	0.39(9.9)	10000 (690)
7/8-14	7/8-14	SS-HPCG-AS10-10K	2.39(60.8)	1.00(25.4)	0.51(13.0)	0.51(13.0)	0.48(12.3)	10000 (690)
1 1/16-12	7/8-14	SS-HPCG-AS12-AS10-10K	2.60(66.0)	1.25(31.8)	0.55(14.0)	0.51(13.0)	0.48(12.3)	10000 (690)
1 1/16-12	1 1/16-12	SS-HPCG-AS12-10K	2.72(69.2)	1.25(31.8)	0.55(14.0)	0.55(14.0)	0.61(15.5)	10000 (690)
1 5/16-12	1 1/16-12	SS-HPCG-AS16-AS12-10K	2.96(75.2)	1.50(38.1)	0.61(15.5)	0.55(14.0)	0.61(15.5)	10000 (690)
1 5/16-12	1 5/16-12	SS-HPCG-AS16-10K	3.08(78.2)	1.50(38.1)	0.61(15.5)	0.61(15.5)	0.84(21.4)	10000 (690)

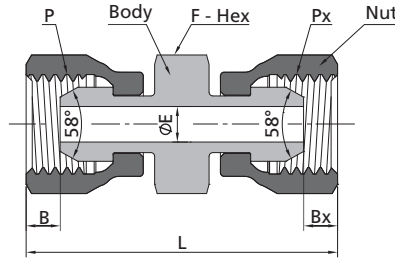
## 12 10K Series Pipe Fittings

### Hex Couplings



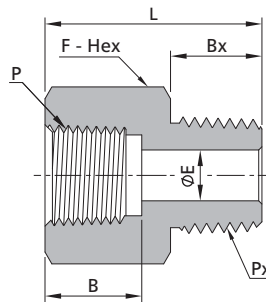
Female Swivel JIC			Female ISO Parallel Threads					Working Pressure psig (bar)
P-SAE/MS Thread Size	Px-ISO Parallel Size	Ordering Number	Dimension, in. (mm)					
			L	F	B	Bx	E	
7/16-20	G1/4	SS-HPCG-AS4-SBP4-10K	1.76(44.7)	0.63(15.9)	0.35(9.0)	0.18(4.5)	0.17(4.4)	10000 (690)
7/16-20	G3/8	SS-HPCG-AS4-SBP6-10K	1.88(47.7)	0.81(20.6)	0.35(9.0)	0.25(6.3)	0.17(4.4)	10000 (690)
9/16-18	G1/4	SS-HPCG-AS6-SBP4-10K	1.79(45.4)	0.63(15.9)	0.38(9.7)	0.18(4.5)	0.30(7.5)	10000 (690)
9/16-18	G3/8	SS-HPCG-AS6-SBP6-10K	1.91(48.4)	0.81(20.6)	0.38(9.7)	0.25(6.3)	0.30(7.5)	10000 (690)
9/16-18	G1/2	SS-HPCG-AS6-SBP8-10K	2.10(53.4)	1.00(25.4)	0.38(9.7)	0.28(7.0)	0.30(7.5)	10000 (690)
3/4-16	G1/4	SS-HPCG-AS8-SBP4-10K	1.98(50.2)	0.87(22.2)	0.43(11.0)	0.18(4.5)	0.19(4.7)	10000 (690)
3/4-16	G3/8	SS-HPCG-AS8-SBP6-10K	2.06(52.2)	0.87(22.2)	0.43(11.0)	0.25(6.3)	0.31(7.9)	10000 (690)
3/4-16	G1/2	SS-HPCG-AS8-SBP8-10K	2.17(55.2)	1.00(25.4)	0.43(11.0)	0.28(7.0)	0.39(9.9)	10000 (690)
7/8-14	G1/4	SS-HPCG-AS10-SBP4-10K	2.07(52.5)	1.00(25.4)	0.51(13.0)	0.18(4.5)	0.19(4.7)	10000 (690)
7/8-14	G3/8	SS-HPCG-AS10-SBP6-10K	2.15(54.5)	1.00(25.4)	0.51(13.0)	0.25(6.3)	0.31(7.9)	10000 (690)
7/8-14	G1/2	SS-HPCG-AS10-SBP8-10K	2.26(57.5)	1.00(25.4)	0.51(13.0)	0.28(7.0)	0.44(11.1)	10000 (690)
1 1/16-12	G1/2	SS-HPCG-AS12-SBP8-10K	2.47(62.7)	1.25(31.8)	0.55(14.0)	0.28(7.0)	0.44(11.1)	10000 (690)
1 1/16-12	G3/4	SS-HPCG-AS12-SBP12-10K	2.59(65.7)	1.25(31.8)	0.55(14.0)	0.35(9.0)	0.61(15.5)	10000 (690)
1 1/16-12	G1	SS-HPCG-AS12-SBP16-10K	2.98(75.7)	1.50(38.1)	0.55(14.0)	0.43(10.8)	0.61(15.5)	10000 (690)
1 5/16-12	G1/2	SS-HPCG-AS16-SBP8-10K	2.70(68.7)	1.50(38.1)	0.61(15.5)	0.28(7.0)	0.44(11.1)	10000 (690)
1 5/16-12	G3/4	SS-HPCG-AS16-SBP12-10K	2.82(71.7)	1.50(38.1)	0.61(15.5)	0.35(9.0)	0.66(16.7)	10000 (690)
1 5/16-12	G1	SS-HPCG-AS16-SBP16-10K	3.10(78.7)	1.50(38.1)	0.61(15.5)	0.43(10.8)	0.84(21.4)	10000 (690)

Hex Couplings



Female ISO Parallel Threads			Dimension, in. (mm)					Working Pressure psig (bar)
P-ISO Parallel Size	Px-ISO Parallel Size	Ordering Number	L	F	B	Bx	E	
G1/4	G1/4	SS-HPCG-SBP4-10K	1.62(41.2)	0.63(15.9)	0.18(4.0)	0.18(4.5)	0.19(4.7)	10000 (690)
G3/8	G1/4	SS-HPCG-SBP6-SBP4-10K	1.74(44.2)	0.81(20.6)	0.25(6.0)	0.18(4.5)	0.19(4.7)	10000 (690)
G3/8	G3/8	SS-HPCG-SBP6-10K	1.82(46.2)	0.81(20.6)	0.25(6.0)	0.25(6.3)	0.31(7.9)	10000 (690)
G1/2	G1/4	SS-HPCG-SBP8-SBP4-10K	1.94(49.2)	1.00(25.4)	0.28(7.0)	0.18(4.5)	0.19(4.7)	10000 (690)
G1/2	G3/8	SS-HPCG-SBP8-SBP6-10K	2.02(51.2)	1.00(25.4)	0.28(7.0)	0.25(6.3)	0.31(7.9)	10000 (690)
G1/2	G1/2	SS-HPCG-SBP8-10K	2.13(54.2)	1.00(25.4)	0.28(7.0)	0.28(7.0)	0.44(11.1)	10000 (690)
G3/4	G3/8	SS-HPCG-SBP12-SBP6-10K	2.21(56.2)	1.25(31.8)	0.35(9.0)	0.25(6.3)	0.31(7.9)	10000 (690)
G3/4	G1/2	SS-HPCG-SBP12-SBP8-10K	2.33(59.2)	1.25(31.8)	0.35(9.0)	0.28(7.0)	0.44(11.1)	10000 (690)
G3/4	G3/4	SS-HPCG-SBP12-10K	2.45(62.2)	1.25(31.8)	0.35(9.0)	0.35(9.0)	0.66(16.7)	10000 (690)
G1	G1/2	SS-HPCG-SBP16-SBP8-10K	2.72(69.2)	1.50(38.1)	0.43(10.8)	0.28(7.0)	0.44(11.1)	10000 (690)
G1	G3/4	SS-HPCG-SBP16-SBP12-10K	2.84(72.2)	1.50(38.1)	0.43(10.8)	0.35(9.0)	0.66(16.7)	10000 (690)
G1	G1	SS-HPCG-SBP16-10K	3.12(79.2)	1.50(38.1)	0.43(10.8)	0.43(10.8)	0.87(22.2)	10000 (690)

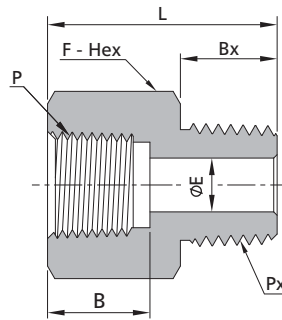
Adapters



Female NPT Threads			Male NPT Threads					Working Pressure psig (bar)
P-NPT Size	Px-NPT Size	Ordering Number	L	F	B	Bx	E	
1/8	1/8	SS-HPA-NS2-10K	0.96 (24.5)	0.56 (14.3)	0.41 (10.4)	0.38 (9.7)	0.22 (5.5)	10000 (690)
1/8	1/4	SS-HPA-NS2-NS4-10K	1.13 (28.8)	0.56 (14.3)	0.41 (10.4)	0.56 (14.2)	0.28 (7.1)	10000 (690)
1/8	3/8	SS-HPA-NS2-NS6-10K	1.14 (29.0)	0.69 (17.5)	0.41 (10.4)	0.56 (14.2)	0.31 (8.0)	10000 (690)
1/8	1/2	SS-HPA-NS2-NS8-10K	1.08 (27.4)	0.87 (22.2)	0.41 (10.4)	0.75 (19.1)	0.31 (8.0)	10000 (690)
1/4	1/8	SS-HPA-NS4-NS2-10K	1.25 (31.8)	0.75 (19.1)	0.59 (15.0)	0.38 (9.7)	0.22 (5.5)	10000 (690)
1/4	1/4	SS-HPA-NS4-10K	1.37 (34.9)	0.75 (19.1)	0.59 (15.0)	0.56 (14.2)	0.28 (7.1)	10000 (690)
1/4	3/8	SS-HPA-NS4-NS6-10K	1.37 (34.9)	0.75 (19.1)	0.59 (15.0)	0.56 (14.2)	0.38 (9.6)	10000 (690)
1/4	1/2	SS-HPA-NS4-NS8-10K	1.58 (40.1)	0.87 (22.2)	0.59 (15.0)	0.75 (19.1)	0.41 (10.4)	10000 (690)
3/8	1/4	SS-HPA-NS6-NS4-10K	1.42 (36.0)	0.94 (23.8)	0.59 (15.0)	0.56 (14.2)	0.28 (7.1)	10000 (690)
3/8	3/8	SS-HPA-NS6-10K	1.42 (36.0)	0.94 (23.8)	0.59 (15.0)	0.56 (14.2)	0.38 (9.6)	10000 (690)
3/8	1/2	SS-HPA-NS6-NS8-10K	1.61 (41.0)	0.94 (23.8)	0.59 (15.0)	0.75 (19.1)	0.47 (11.9)	10000 (690)
1/2	1/4	SS-HPA-NS8-NS4-10K	1.72 (43.1)	1.19 (30.2)	0.78 (19.8)	0.56 (14.2)	0.28 (7.1)	10000 (690)
1/2	3/8	SS-HPA-NS8-NS6-10K	1.72 (43.1)	1.19 (30.2)	0.78 (19.8)	0.56 (14.2)	0.38 (9.6)	10000 (690)
1/2	1/2	SS-HPA-NS8-10K	1.89 (48.0)	1.19 (30.2)	0.78 (19.8)	0.75 (19.1)	0.47 (11.9)	10000 (690)

## 14 10K Series Pipe Fittings

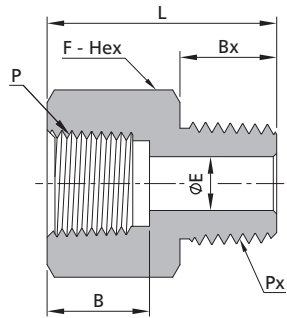
### Adapters



Female NPT Threads			Male ISO Tapered Threads					Working Pressure psig (bar)
P-NPT Size	Px-ISO Tapered Size	Ordering Number	Dimension, in. (mm)					
			L	F	B	Bx	E	
1/8	1/8	SS-HPA-NS2-RT2-10K	0.96 (24.5)	0.56 (14.3)	0.41 (10.4)	0.38 (9.7)	0.22 (5.5)	10000 (690)
1/8	1/4	SS-HPA-NS2-RT4-10K	1.13 (28.8)	0.56 (14.3)	0.41 (10.4)	0.56 (14.2)	0.28 (7.1)	10000 (690)
1/8	3/8	SS-HPA-NS2-RT6-10K	1.14 (29.0)	0.69 (17.5)	0.41 (10.4)	0.56 (14.2)	0.31 (8.0)	10000 (690)
1/8	1/2	SS-HPA-NS2-RT8-10K	1.08 (27.4)	0.87 (22.2)	0.41 (10.4)	0.75 (19.1)	0.31 (8.0)	10000 (690)
1/4	1/8	SS-HPA-NS4-RT2-10K	1.25 (31.8)	0.75 (19.1)	0.59 (15.0)	0.38 (9.7)	0.22 (5.5)	10000 (690)
1/4	1/4	SS-HPA-NS4-RT4-10K	1.37 (34.9)	0.75 (19.1)	0.59 (15.0)	0.56 (14.2)	0.28 (7.1)	10000 (690)
1/4	3/8	SS-HPA-NS4-RT6-10K	1.37 (34.9)	0.75 (19.1)	0.59 (15.0)	0.56 (14.2)	0.38 (9.6)	10000 (690)
1/4	1/2	SS-HPA-NS4-RT8-10K	1.58 (40.1)	0.87 (22.2)	0.59 (15.0)	0.75 (19.1)	0.41 (10.4)	10000 (690)
3/8	1/4	SS-HPA-NS6-RT4-10K	1.42 (36.0)	0.94 (23.8)	0.59 (15.0)	0.56 (14.2)	0.28 (7.1)	10000 (690)
3/8	3/8	SS-HPA-NS6-RT6-10K	1.42 (36.0)	0.94 (23.8)	0.59 (15.0)	0.56 (14.2)	0.38 (9.6)	10000 (690)
3/8	1/2	SS-HPA-NS6-RT8-10K	1.61 (41.0)	0.94 (23.8)	0.59 (15.0)	0.75 (19.1)	0.47 (11.9)	10000 (690)
1/2	1/4	SS-HPA-NS8-RT4-10K	1.72 (43.1)	1.19 (30.2)	0.78 (19.8)	0.56 (14.2)	0.28 (7.1)	10000 (690)
1/2	3/8	SS-HPA-NS8-RT6-10K	1.72 (43.1)	1.19 (30.2)	0.78 (19.8)	0.56 (14.2)	0.38 (9.6)	10000 (690)
1/2	1/2	SS-HPA-NS8-RT8-10K	1.89 (48.0)	1.19 (30.2)	0.78 (19.8)	0.75 (19.1)	0.47 (11.9)	10000 (690)



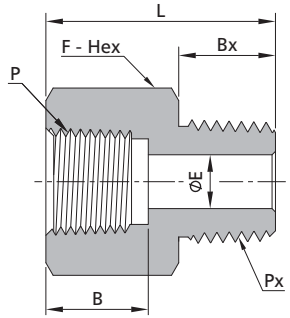
## Adapters



Female ISO Tapered Threads			Male ISO Tapered Threads					Working Pressure psig (bar)
P-ISO Tapered Size	Px-ISO Tapered Size	Ordering Number	Dimension, in. (mm)					
			L	F	B	Bx	E	
1/8	1/8	SS-HPA-RT2-10K	0.96 (24.5)	0.56 (14.3)	0.41 (10.4)	0.38 (9.7)	0.22 (5.5)	10000 (690)
1/8	1/4	SS-HPA-RT2-RT4-10K	1.13 (28.8)	0.56 (14.3)	0.41 (10.4)	0.56 (14.2)	0.28 (7.1)	10000 (690)
1/8	3/8	SS-HPA-RT2-RT6-10K	1.14 (29.0)	0.69 (17.5)	0.41 (10.4)	0.56 (14.2)	0.31 (8.0)	10000 (690)
1/8	1/2	SS-HPA-RT2-RT8-10K	1.08 (27.4)	0.87 (22.2)	0.41 (10.4)	0.75 (19.1)	0.31 (8.0)	10000 (690)
1/4	1/8	SS-HPA-RT4-RT2-10K	1.25 (31.8)	0.75 (19.1)	0.59 (15.0)	0.38 (9.7)	0.22 (5.5)	10000 (690)
1/4	1/4	SS-HPA-RT4-10K	1.37 (34.9)	0.75 (19.1)	0.59 (15.0)	0.56 (14.2)	0.28 (7.1)	10000 (690)
1/4	3/8	SS-HPA-RT4-RT6-10K	1.37 (34.9)	0.75 (19.1)	0.59 (15.0)	0.56 (14.2)	0.38 (9.6)	10000 (690)
1/4	1/2	SS-HPA-RT4-RT8-10K	1.58 (40.1)	0.87 (22.2)	0.59 (15.0)	0.75 (19.1)	0.41 (10.4)	10000 (690)
3/8	1/4	SS-HPA-RT6-RT4-10K	1.42 (36.0)	0.94 (23.8)	0.59 (15.0)	0.56 (14.2)	0.28 (7.1)	10000 (690)
3/8	3/8	SS-HPA-RT6-10K	1.42 (36.0)	0.94 (23.8)	0.59 (15.0)	0.56 (14.2)	0.38 (9.6)	10000 (690)
3/8	1/2	SS-HPA-RT6-RT8-10K	1.61 (41.0)	0.94 (23.8)	0.59 (15.0)	0.75 (19.1)	0.47 (11.9)	10000 (690)
1/2	1/4	SS-HPA-RT8-RT4-10K	1.72 (43.1)	1.19 (30.2)	0.78 (19.8)	0.56 (14.2)	0.28 (7.1)	10000 (690)
1/2	3/8	SS-HPA-RT8-RT6-10K	1.72 (43.1)	1.19 (30.2)	0.78 (19.8)	0.56 (14.2)	0.38 (9.6)	10000 (690)
1/2	1/2	SS-HPA-RT8-10K	1.89 (48.0)	1.19 (30.2)	0.78 (19.8)	0.75 (19.1)	0.47 (11.9)	10000 (690)

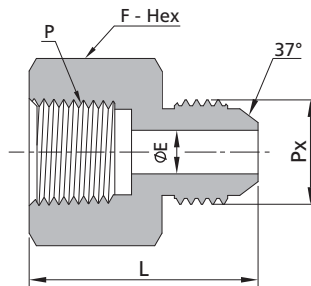
## 16 10K Series Pipe Fittings

### Adapters



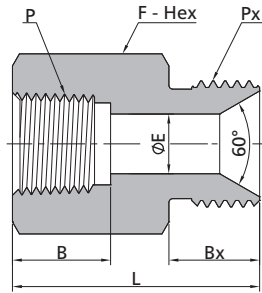
Female ISO Tapered Threads			Dimension, in. (mm)					Male NPT Threads	Working Pressure psig (bar)
P-ISO Tapered Size	Px-NPT Size	Ordering Number	L	F	B	Bx	E		
1/8	1/8	SS-HPA-RT2-NS2-10K	0.96 (24.5)	0.56 (14.3)	0.41 (10.4)	0.38 (9.7)	0.22 (5.5)	10000 (690)	
1/8	1/4	SS-HPA-RT2-NS4-10K	1.13 (28.8)	0.56 (14.3)	0.41 (10.4)	0.56 (14.2)	0.28 (7.1)	10000 (690)	
1/8	3/8	SS-HPA-RT2-NS6-10K	1.14 (29.0)	0.69 (17.5)	0.41 (10.4)	0.56 (14.2)	0.31 (8.0)	10000 (690)	
1/8	1/2	SS-HPA-RT2-NS8-10K	1.08 (27.4)	0.87 (22.2)	0.41 (10.4)	0.75 (19.1)	0.31 (8.0)	10000 (690)	
1/4	1/8	SS-HPA-RT4-NS2-10K	1.25 (31.8)	0.75 (19.1)	0.59 (15.0)	0.38 (9.7)	0.22 (5.5)	10000 (690)	
1/4	1/4	SS-HPA-RT4-NS4-10K	1.37 (34.9)	0.75 (19.1)	0.59 (15.0)	0.56 (14.2)	0.28 (7.1)	10000 (690)	
1/4	3/8	SS-HPA-RT4-NS6-10K	1.37 (34.9)	0.75 (19.1)	0.59 (15.0)	0.56 (14.2)	0.38 (9.6)	10000 (690)	
1/4	1/2	SS-HPA-RT4-NS8-10K	1.58 (40.1)	0.87 (22.2)	0.59 (15.0)	0.75 (19.1)	0.41 (10.4)	10000 (690)	
3/8	1/4	SS-HPA-RT6-NS4-10K	1.42 (36.0)	0.94 (23.8)	0.59 (15.0)	0.56 (14.2)	0.28 (7.1)	10000 (690)	
3/8	3/8	SS-HPA-RT6-NS6-10K	1.42 (36.0)	0.94 (23.8)	0.59 (15.0)	0.56 (14.2)	0.38 (9.6)	10000 (690)	
3/8	1/2	SS-HPA-RT6-NS8-10K	1.61 (41.0)	0.94 (23.8)	0.59 (15.0)	0.75 (19.1)	0.47 (11.9)	10000 (690)	
1/2	1/4	SS-HPA-RT8-NS4-10K	1.72 (43.1)	1.19 (30.2)	0.78 (19.8)	0.56 (14.2)	0.28 (7.1)	10000 (690)	
1/2	3/8	SS-HPA-RT8-NS6-10K	1.72 (43.1)	1.19 (30.2)	0.78 (19.8)	0.56 (14.2)	0.38 (9.6)	10000 (690)	
1/2	1/2	SS-HPA-RT8-NS8-10K	1.89 (48.0)	1.19 (30.2)	0.78 (19.8)	0.75 (19.1)	0.47 (11.9)	10000 (690)	

### Adapters



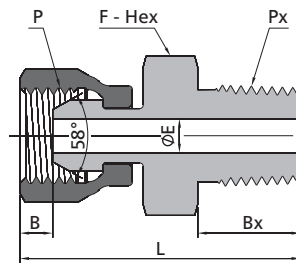
Female NPT Threads			Dimension, in. (mm)			Male JIC	Working Pressure psig (bar)
P-NPT Size	Px-SAE/MS Thread Size	Ordering Number	L	F	E		
1/8	7/16-20	SS-HPA-NS2-AN4-10K	1.09 (27.8)	0.56 (14.3)	0.17 (4.4)	10000 (690)	
1/4	7/16-20	SS-HPA-NS4-AN4-10K	1.32 (33.5)	0.75 (19.1)	0.17 (4.4)	10000 (690)	
1/4	9/16-18	SS-HPA-NS4-AN6-10K	1.32 (33.5)	0.75 (19.1)	0.30 (7.5)	10000 (690)	
3/8	9/16-18	SS-HPA-NS6-AN6-10K	1.37 (34.8)	0.94 (23.8)	0.30 (7.5)	10000 (690)	
3/8	3/4-16	SS-HPA-NS6-AN8-10K	1.47 (37.4)	0.94 (23.8)	0.39 (9.9)	10000 (690)	
1/2	3/4-16	SS-HPA-NS8-AN8-10K	1.72 (43.6)	1.19 (30.2)	0.39 (9.9)	10000 (690)	
1/2	7/8-14	SS-HPA-NS8-AN10-10K	1.82 (46.2)	1.19 (30.2)	0.48 (12.3)	10000 (690)	
1/2	1 1/16-12	SS-HPA-NS8-AN12-10K	1.92 (48.8)	1.19 (30.2)	0.61 (15.5)	10000 (690)	

Adapters



Female NPT Threads			Male ISO Parallel Threads					Working Pressure psig (bar)
P-NPT Size	Px-ISO Parallel Size	Ordering Number	Dimension, in. (mm)					
			L	F	B	Bx	E	
1/8	G1/4	SS-HPA-NS2-HBP4-10K	1.02(25.8)	0.63(15.9)	0.41(10.4)	0.43(11.0)	0.19(4.7)	10000 (690)
1/8	G3/8	SS-HPA-NS2-HBP6-10K	1.06(26.8)	0.81(20.6)	0.41(10.4)	0.47(12.0)	0.31(7.9)	10000 (690)
1/4	G1/4	SS-HPA-NS4-HBP4-10K	1.25(31.7)	0.75(19.1)	0.59(15.0)	0.43(11.0)	0.19(4.7)	10000 (690)
1/4	G3/8	SS-HPA-NS4-HBP6-10K	1.29(32.7)	0.81(20.6)	0.59(15.0)	0.47(12.0)	0.31(7.9)	10000 (690)
1/4	G1/2	SS-HPA-NS4-HBP8-10K	1.37(34.7)	1.00(25.4)	0.59(15.0)	0.55(14.0)	0.41(10.4)	10000 (690)
3/8	G1/4	SS-HPA-NS6-HBP4-10K	1.31(33.2)	0.94(23.8)	0.59(15.0)	0.43(11.0)	0.19(4.7)	10000 (690)
3/8	G3/8	SS-HPA-NS6-HBP6-10K	1.35(34.2)	0.94(23.8)	0.59(15.0)	0.47(12.0)	0.31(7.9)	10000 (690)
3/8	G1/2	SS-HPA-NS6-HBP8-10K	1.43(36.2)	1.00(25.4)	0.59(15.0)	0.55(14.0)	0.44(11.1)	10000 (690)
1/2	G1/4	SS-HPA-NS8-HBP4-10K	1.57(39.9)	1.19(30.2)	0.78(19.8)	0.43(11.0)	0.19(4.7)	10000 (690)
1/2	G3/8	SS-HPA-NS8-HBP6-10K	1.61(40.9)	1.19(30.2)	0.78(19.8)	0.47(12.0)	0.31(7.9)	10000 (690)
1/2	G1/2	SS-HPA-NS8-HBP8-10K	1.69(42.9)	1.19(30.2)	0.78(19.8)	0.55(14.0)	0.44(11.1)	10000 (690)

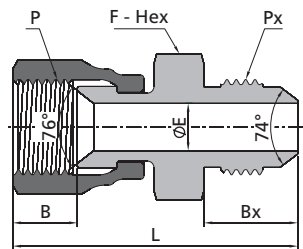
Adapters



Female Swivel JIC			Male NPT Threads					Working Pressure psig (bar)
P-SAE/MS Thread Size	Px-NPT Size	Ordering Number	Dimension, in. (mm)					
			L	F	B	Bx	E	
7/16-20	1/8	SS-HPA-AS4-NS2-10K	1.50(38.2)	0.56(14.3)	0.35(9.0)	0.38(9.70)	0.17(4.4)	690 (10000)
7/16-20	1/4	SS-HPA-AS4-NS4-10K	1.68(47.2)	0.56(14.3)	0.35(9.0)	0.56(14.2)	0.17(4.4)	690 (10000)
7/16-20	3/8	SS-HPA-AS4-NS6-10K	1.73(43.9)	0.69(17.5)	0.35(9.0)	0.56(14.2)	0.17(4.4)	690 (10000)
9/16-18	1/4	SS-HPA-AS6-NS4-10K	1.73(44.0)	0.63(15.9)	0.38(9.7)	0.56(14.2)	0.28(7.1)	690 (10000)
9/16-18	3/8	SS-HPA-AS6-NS6-10K	1.76(44.6)	0.69(17.5)	0.38(9.7)	0.56(14.2)	0.30(7.5)	690 (10000)
9/16-18	1/2	SS-HPA-AS6-NS8-10K	2.00(50.7)	0.87(22.2)	0.38(9.7)	0.75(19.1)	0.30(7.5)	690 (10000)
3/4-16	1/4	SS-HPA-AS8-NS4-10K	1.87(47.6)	0.87(22.2)	0.43(11.0)	0.56(14.2)	0.28(7.1)	690 (10000)
3/4-16	3/8	SS-HPA-AS8-NS6-10K	1.87(47.6)	0.87(22.2)	0.43(11.0)	0.56(14.2)	0.38(9.6)	690 (10000)
3/4-16	1/2	SS-HPA-AS8-NS8-10K	2.07(52.5)	0.87(22.2)	0.43(11.0)	0.75(19.1)	0.39(9.9)	690 (10000)
7/8-14	3/8	SS-HPA-AS10-NS6-10K	2.01(51.1)	1.00(25.4)	0.51(13.0)	0.56(14.2)	0.38(9.6)	690 (10000)
7/8-14	1/2	SS-HPA-AS10-NS8-10K	2.20(56.0)	1.00(25.4)	0.51(13.0)	0.75(19.1)	0.47(11.9)	690 (10000)
1 1/16-12	1/2	SS-HPA-AS12-NS8-10K	2.44(62.0)	1.25(31.8)	0.55(14.0)	0.75(19.1)	0.47(11.9)	690 (10000)
1 5/16-12	1/2	SS-HPA-AS16-NS8-10K	2.61(66.2)	1.50(38.1)	0.61(15.5)	0.75(19.1)	0.47(11.9)	690 (10000)

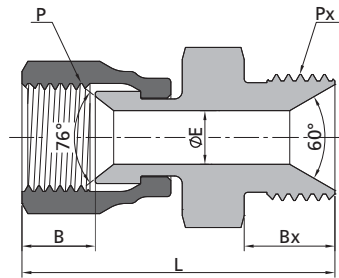
## 18 10K Series Pipe Fittings

### Adapters



Female Swivel JIC			Dimension, in. (mm)					Male JIC
P-SAE/MS Thread Size	Px-SAE/MS Thread Size	Ordering Number	L	F	B	Bx	E	Working Pressure psig (bar)
7/16-20	7/16-20	SS-HPA-AS4-AN4-10K	1.64(41.7)	0.56(14.3)	0.35(9.0)	0.55(14.0)	0.17(4.4)	10000 (690)
7/16-20	9/16-18	SS-HPA-AS4-AN6-10K	1.65(41.8)	0.63(15.9)	0.35(9.0)	0.56(14.1)	0.17(4.4)	10000 (690)
7/16-20	3/4-16	SS-HPA-AS4-AN8-10K	1.79(45.4)	0.81(20.6)	0.35(9.0)	0.66(16.7)	0.17(4.4)	10000 (690)
9/16-18	7/16-20	SS-HPA-AS6-AN4-10K	1.67(42.4)	0.63(15.9)	0.38(9.7)	0.55(14.0)	0.17(4.4)	10000 (690)
9/16-18	9/16-18	SS-HPA-AS6-AN6-10K	1.67(42.5)	0.63(15.9)	0.38(9.7)	0.56(14.1)	0.30(7.5)	10000 (690)
9/16-18	3/4-16	SS-HPA-AS6-AN8-10K	1.81(46.1)	0.81(20.6)	0.38(9.7)	0.66(16.7)	0.30(7.5)	10000 (690)
3/4-16	7/16-20	SS-HPA-AS8-AN4-10K	1.86(47.2)	0.87(22.2)	0.43(11.0)	0.55(14.0)	0.17(4.4)	10000 (690)
3/4-16	9/16-18	SS-HPA-AS8-AN6-10K	1.86(47.3)	0.87(22.2)	0.43(11.0)	0.56(14.1)	0.30(7.5)	10000 (690)
3/4-16	3/4-16	SS-HPA-AS8-AN8-10K	1.96(49.9)	0.87(22.2)	0.43(11.0)	0.66(16.7)	0.39(9.9)	10000 (690)
3/4-16	7/8-14	SS-HPA-AS8-AN10-10K	2.07(52.5)	0.94(23.8)	0.43(11.0)	0.76(19.3)	0.39(9.9)	10000 (690)
7/8-14	9/16-18	SS-HPA-AS10-AN6-10K	1.95(49.6)	1.00(25.4)	0.51(13.0)	0.56(14.1)	0.30(7.5)	10000 (690)
7/8-14	3/4-16	SS-HPA-AS10-AN8-10K	2.06(52.2)	1.00(25.4)	0.51(13.0)	0.66(16.7)	0.39(9.9)	10000 (690)
7/8-14	7/8-14	SS-HPA-AS10-AN10-10K	2.16(54.8)	1.00(25.4)	0.51(13.0)	0.76(19.3)	0.48(12.3)	10000 (690)
7/8-14	1 1/16-12	SS-HPA-AS10-AN12-10K	2.34(59.4)	1.13(28.6)	0.51(13.0)	0.86(21.9)	0.48(12.3)	10000 (690)
1 1/16-12	3/4-16	SS-HPA-AS12-AN8-10K	2.26(57.4)	1.25(31.8)	0.55(14.0)	0.66(16.7)	0.39(9.9)	10000 (690)
1 1/16-12	7/8-14	SS-HPA-AS12-AN10-10K	2.36(60.0)	1.25(31.8)	0.55(14.0)	0.76(19.3)	0.48(12.3)	10000 (690)
1 1/16-12	1 1/16-12	SS-HPA-AS12-AN12-10K	2.46(62.6)	1.25(31.8)	0.55(14.0)	0.86(21.9)	0.61(15.5)	10000 (690)
1 1/16-12	1 5/16-12	SS-HPA-AS12-AN16-10K	2.63(66.8)	1.37(34.9)	0.55(14.0)	0.91(23.1)	0.61(15.5)	10000 (690)
1 5/16-12	3/4-16	SS-HPA-AS16-AN8-10K	2.50(63.4)	1.50(38.1)	0.61(15.5)	0.66(16.7)	0.39(9.9)	10000 (690)
1 5/16-12	7/8-14	SS-HPA-AS16-AN10-10K	2.60(66.0)	1.50(38.1)	0.61(15.5)	0.76(19.3)	0.48(12.3)	10000 (690)
1 5/16-12	1 1/16-12	SS-HPA-AS16-AN12-10K	2.70(68.6)	1.50(38.1)	0.61(15.5)	0.86(21.9)	0.61(15.5)	10000 (690)
1 5/16-12	1 5/16-12	SS-HPA-AS16-AN16-10K	2.75(69.8)	1.50(38.1)	0.61(15.5)	0.91(23.1)	0.84(21.4)	10000 (690)

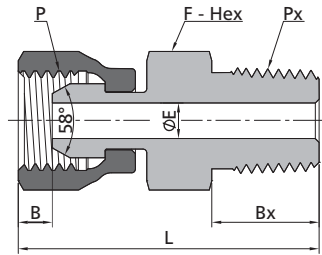
Adapters



Female Swivel JIC			Male ISO Parallel Threads					Working Pressure psig (bar)
P-SAE/MS Thread Size	Px-ISO Parallel Size	Ordering Number	Dimension, in. (mm)					
			L	F	B	Bx	E	
7/16-20	G1/4	SS-HPA-AS4-HBP4-10K	1.52(38.7)	0.63(15.9)	0.35(9.0)	0.43(11.0)	0.17(4.4)	10000 (690)
7/16-20	G3/8	SS-HPA-AS4-HBP6-10K	1.60(40.7)	0.81(20.6)	0.35(9.0)	0.47(12.0)	0.17(4.4)	10000 (690)
9/16-18	G1/4	SS-HPA-AS6-HBP4-10K	1.55(39.4)	0.63(15.9)	0.38(9.7)	0.43(11.0)	0.17(4.4)	10000 (690)
9/16-18	G3/8	SS-HPA-AS6-HBP6-10K	1.63(41.4)	0.81(20.6)	0.38(9.7)	0.47(12.0)	0.30(7.5)	10000 (690)
9/16-18	G1/2	SS-HPA-AS6-HBP8-10K	1.79(45.4)	1.00(25.4)	0.38(9.7)	0.55(14.0)	0.30(7.5)	10000 (690)
3/4-16	G1/4	SS-HPA-AS8-HBP4-10K	1.74(44.2)	0.87(22.2)	0.43(11.0)	0.43(11.0)	0.19(4.7)	10000 (690)
3/4-16	G3/8	SS-HPA-AS8-HBP6-10K	1.78(45.2)	0.87(22.2)	0.43(11.0)	0.47(12.0)	0.31(7.9)	10000 (690)
3/4-16	G1/2	SS-HPA-AS8-HBP8-10K	1.86(47.2)	1.00(25.4)	0.43(11.0)	0.55(14.0)	0.39(9.9)	10000 (690)
7/8-14	G1/4	SS-HPA-AS10-HBP4-10K	1.83(46.5)	1.00(25.4)	0.51(13.0)	0.43(11.0)	0.19(4.7)	10000 (690)
7/8-14	G3/8	SS-HPA-AS10-HBP6-10K	1.87(47.5)	1.00(25.4)	0.51(13.0)	0.47(12.0)	0.31(7.9)	10000 (690)
7/8-14	G1/2	SS-HPA-AS10-HBP8-10K	1.95(49.5)	1.00(25.4)	0.51(13.0)	0.55(14.0)	0.44(11.1)	10000 (690)
1 1/16-12	G1/2	SS-HPA-AS12-HBP8-10K	2.15(54.7)	1.25(31.8)	0.55(14.0)	0.55(14.0)	0.44(11.1)	10000 (690)
1 1/16-12	G3/4	SS-HPA-AS12-HBP12-10K	2.23(56.7)	1.25(31.8)	0.55(14.0)	0.63(16.0)	0.61(15.5)	10000 (690)
1 1/16-12	G1	SS-HPA-AS12-HBP16-10K	2.47(62.7)	1.50(38.1)	0.55(14.0)	0.75(19.0)	0.61(15.5)	10000 (690)
1 5/16-12	G1/2	SS-HPA-AS16-HBP8-10K	2.39(60.7)	1.50(38.1)	0.61(15.5)	0.55(14.0)	0.44(11.1)	10000 (690)
1 5/16-12	G3/4	SS-HPA-AS16-HBP12-10K	2.47(62.7)	1.50(38.1)	0.61(15.5)	0.63(16.0)	0.66(16.7)	10000 (690)
1 5/16-12	G1	SS-HPA-AS16-HBP16-10K	2.59(65.7)	1.50(38.1)	0.61(15.5)	0.75(19.0)	0.84(21.4)	10000 (690)

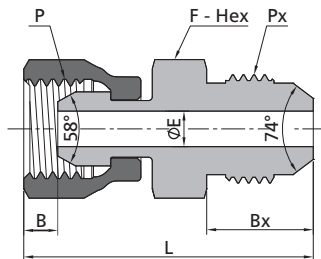
## 20 10K Series Pipe Fittings

### Adapters



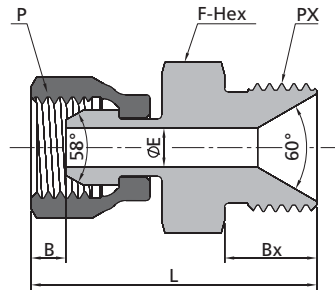
Female Swivel ISO Parallel Threads			Dimension, in. (mm)					Male NPT Threads	Working Pressure psig (bar)
P-ISO Parallel Size	Px-NPT Size	Ordering Number	L	F	B	Bx	E		
G1/4	1/8	SS-HPA-SBP4-NS2-10K	1.39(35.3)	0.63(15.9)	0.18(4.5)	0.38(9.7)	0.19(4.7)	10000 (690)	
G1/4	1/4	SS-HPA-SBP4-NS4-10K	1.57(39.8)	0.63(15.9)	0.18(4.5)	0.56(14.2)	0.19(4.7)	10000 (690)	
G1/4	3/8	SS-HPA-SBP4-NS6-10K	1.59(40.4)	0.69(17.5)	0.18(4.5)	0.56(14.2)	0.19(4.7)	10000 (690)	
G3/8	1/4	SS-HPA-SBP6-NS4-10K	1.70(43.2)	0.81(20.6)	0.25(6.3)	0.56(14.2)	0.28(7.1)	10000 (690)	
G3/8	3/8	SS-HPA-SBP6-NS6-10K	1.70(43.2)	0.81(20.6)	0.25(6.3)	0.56(14.2)	0.31(7.9)	10000 (690)	
G3/8	1/2	SS-HPA-SBP6-NS8-10K	1.91(48.5)	0.87(22.2)	0.25(6.3)	0.75(19.1)	0.31(7.9)	10000 (690)	
G1/2	1/4	SS-HPA-SBP8-NS4-10K	1.88(47.8)	1.00(25.4)	0.28(7.0)	0.56(14.2)	0.19(4.7)	10000 (690)	
G1/2	3/8	SS-HPA-SBP8-NS6-10K	1.88(47.8)	1.00(25.4)	0.28(7.0)	0.56(14.2)	0.31(7.9)	10000 (690)	
G1/2	1/2	SS-HPA-SBP8-NS8-10K	2.07(52.7)	1.00(25.4)	0.28(7.0)	0.75(19.1)	0.44(11.1)	10000 (690)	
G3/4	1/2	SS-HPA-SBP12-NS8-10K	2.30(58.5)	1.25(31.8)	0.35(9.0)	0.75(19.1)	0.47(11.9)	10000 (690)	
G1	1/2	SS-HPA-SBP16-NS8-10K	2.63(66.7)	1.50(38.1)	1.43(10.8)	0.75(19.1)	0.47(11.9)	10000 (690)	

### Adapters



Female Swivel ISO Parallel Threads			Dimension, in. (mm)					Male JIC	Working Pressure psig (bar)
P-ISO Parallel Size	Px-SAE/MS Thread Size	Ordering Number	L	F	B	Bx	E		
G1/4	7/16-20	SS-HPA-SBP4-AN4-10K	1.50(38.2)	0.63(15.9)	0.18(4.5)	0.55(14.0)	0.17(4.4)	10000 (690)	
G1/4	9/16-18	SS-HPA-SBP4-AN6-10K	1.51(38.3)	0.63(15.9)	0.18(4.5)	0.56(14.1)	0.19(4.7)	10000 (690)	
G1/4	3/4-16	SS-HPA-SBP4-AN8-10K	1.65(41.9)	0.81(20.6)	0.18(4.5)	0.66(16.7)	0.19(4.7)	10000 (690)	
G1/4	7/8-14	SS-HPA-SBP4-AN10-10K	1.83(46.5)	0.94(23.8)	0.18(4.5)	0.76(19.3)	0.19(4.7)	10000 (690)	
G3/8	7/16-20	SS-HPA-SBP6-AN4-10K	1.62(41.2)	0.81(20.6)	0.25(6.3)	0.55(14.0)	0.17(4.4)	10000 (690)	
G3/8	9/16-18	SS-HPA-SBP6-AN6-10K	1.63(41.3)	0.81(20.6)	0.25(6.3)	0.56(14.1)	0.30(7.5)	10000 (690)	
G3/8	3/4-16	SS-HPA-SBP6-AN8-10K	1.73(43.9)	0.81(20.6)	0.25(6.3)	0.66(16.7)	0.31(7.9)	10000 (690)	
G3/8	7/8-14	SS-HPA-SBP6-AN10-10K	1.91(48.5)	0.94(23.8)	0.25(6.3)	0.76(19.3)	0.31(7.9)	10000 (690)	
G1/2	9/16-18	SS-HPA-SBP8-AN6-10K	1.82(46.3)	1.00(25.4)	0.28(7.0)	0.56(14.1)	0.30(7.5)	10000 (690)	
G1/2	3/4-16	SS-HPA-SBP8-AN8-10K	1.93(48.9)	1.00(25.4)	0.28(7.0)	0.66(16.7)	0.39(9.9)	10000 (690)	
G1/2	7/8-14	SS-HPA-SBP8-AN10-10K	2.03(51.5)	1.00(25.4)	0.28(7.0)	0.76(19.3)	0.44(11.1)	10000 (690)	
G1/2	1 1/16-12	SS-HPA-SBP8-AN12-10K	2.21(56.1)	1.13(28.6)	0.28(7.0)	0.86(21.9)	0.44(11.1)	10000 (690)	
G1/2	1 5/16-12	SS-HPA-SBP8-AN16-10K	2.37(60.3)	1.37(34.9)	0.28(7.0)	0.91(23.1)	0.44(11.1)	10000 (690)	
G3/4	1 1/16-12	SS-HPA-SBP12-AN12-10K	2.33(59.1)	1.25(31.8)	0.35(9.0)	0.86(21.9)	0.61(15.5)	10000 (690)	
G3/4	1 5/16-12	SS-HPA-SBP12-AN16-10K	2.49(63.3)	1.37(34.9)	0.35(9.0)	0.91(23.1)	0.66(16.7)	10000 (690)	
G1	1 5/16-12	SS-HPA-SBP16-AN12-10K	2.72(69.1)	1.50(38.1)	0.43(10.8)	0.86(21.9)	0.61(15.5)	10000 (690)	
G1	1 1/16-12	SS-HPA-SBP16-AN16-10K	2.77(70.3)	1.50(38.1)	0.43(10.8)	0.91(23.1)	0.84(21.4)	10000 (690)	

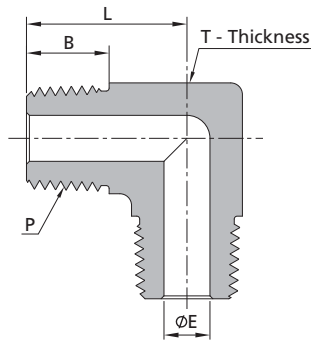
Adapters



Female Swivel ISO Parallel Threads			Male ISO Parallel Threads					Working Pressure psig (bar)
P-ISO Parallel Size	Px-ISO Parallel Size	Ordering Number	Dimension, in. (mm)					
			L	F	B	Bx	E	
G1/4	G1/4	SS-HPA-SBP4-HBP4-10K	1.39(35.2)	0.63(15.9)	0.18(4.5)	0.43(11.0)	0.19(4.7)	10000 (690)
G3/8	G1/4	SS-HPA-SBP6-HBP4-10K	1.50(38.2)	0.81(20.6)	0.25(6.3)	0.43(11.0)	0.19(4.7)	10000 (690)
G3/8	G3/8	SS-HPA-SBP6-HBP6-10K	1.54(39.2)	0.81(20.6)	0.25(6.3)	0.47(12.0)	0.31(7.9)	10000 (690)
G1/2	G1/4	SS-HPA-SBP8-HBP4	1.70(43.2)	1.00(25.4)	0.28(7.0)	0.43(11.0)	0.19(4.7)	10000 (690)
G1/2	G3/8	SS-HPA-SBP8-HBP6-10K	1.74(44.2)	1.00(25.4)	0.28(7.0)	0.47(12.0)	0.31(7.9)	10000 (690)
G1/2	G1/2	SS-HPA-SBP8-HBP8-10K	1.82(46.2)	1.00(25.4)	0.28(7.0)	0.55(14.0)	0.44(11.1)	10000 (690)
G3/4	G3/8	SS-HPA-SBP12-HBP6-10K	1.94(49.2)	1.25(31.8)	0.35(9.0)	0.47(12.0)	0.31(7.9)	10000 (690)
G3/4	G1/2	SS-HPA-SBP12-HBP8-10K	2.02(51.2)	1.25(31.8)	0.35(9.0)	0.55(14.0)	0.44(11.1)	10000 (690)
G3/4	G3/4	SS-HPA-SBP12-HBP12-10K	2.09(53.2)	1.25(31.8)	0.35(9.0)	0.63(16.0)	0.66(16.7)	10000 (690)
G1	G1/2	SS-HPA-SBP16-HBP8-10K	2.41(61.2)	1.50(38.1)	0.43(10.8)	0.55(14.0)	0.44(11.1)	10000 (690)
G1	G3/4	SS-HPA-SBP16-HBP12-10K	2.49(63.2)	1.50(38.1)	0.43(10.8)	0.63(16.0)	0.66(16.7)	10000 (690)
G1	G1	SS-HPA-SBP16-HBP16-10K	2.61(66.2)	1.50(38.1)	0.43(10.8)	0.75(19.0)	0.87(22.2)	10000 (690)

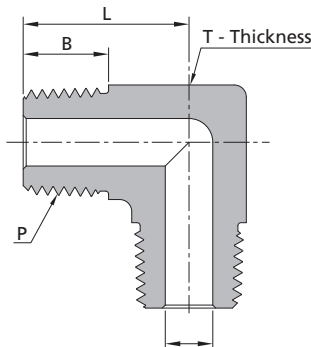
## 22 10K Series Pipe Fittings

### Male Elbows



Male NPT Threads						
P-NPT Size	Ordering Number	Dimension, in. (mm)				Working Pressure psig (bar)
		L	B	E	T	
1/8	SS-HPME-NS2-10K	0.75 (19.1)	0.38 (9.7)	0.22 (5.5)	0.50 (12.7)	10000 (690)
1/4	SS-HPME-NS4-10K	1.00 (25.4)	0.56 (14.2)	0.28 (7.1)	0.63 (15.9)	10000 (690)
3/8	SS-HPME-NS6-10K	1.10 (28.0)	0.56 (14.2)	0.38 (9.6)	0.75 (19.1)	10000 (690)
1/2	SS-HPME-NS8-10K	1.44 (36.6)	0.75 (19.1)	0.47 (11.9)	1.00 (25.4)	10000 (690)

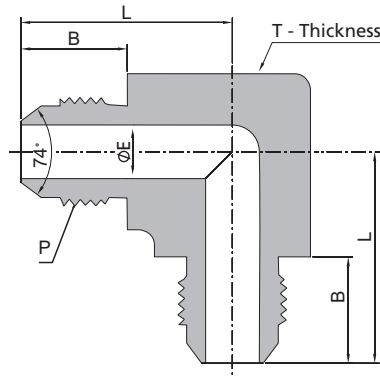
### Male Elbows



Male ISO Tapered Pipe Threads						
P-ISO Tapered Size	Ordering Number	Dimension, in. (mm)				Working Pressure psig (bar)
		L	B	E	T	
1/8	SS-HPME-RT2-10K	0.75(19.1)	0.38 (9.7)	0.22 (5.5)	0.50 (12.7)	10000 (690)
1/4	SS-HPME-RT4-10K	1.00 (25.4)	0.56 (14.2)	0.28 (7.1)	0.63 (15.9)	10000 (690)
3/8	SS-HPME-RT6-10K	1.10 (28.0)	0.56 (14.2)	0.38 (9.6)	0.75 (19.1)	10000 (690)
1/2	SS-HPME-RT8-10K	1.44 (36.6)	0.75 (19.1)	0.47 (11.9)	1.00 (25.4)	10000 (690)

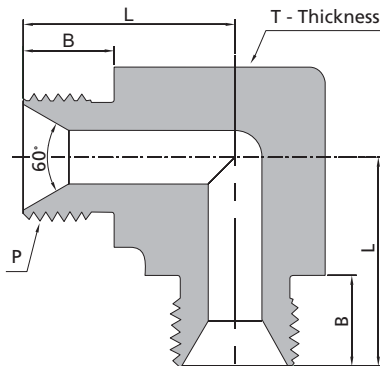


Male Elbows



Male JIC						
P-SAE/MS Thread Size	Ordering Number	Dimension, in. (mm)				Working Pressure psig (bar)
		L	B	E	T	
7/16-20	SS-HPMT-AN4-10K	0.89 (22.6)	0.55 (14.0)	0.17 (4.4)	0.50 (12.7)	10000 (690)
9/16-18	SS-HPMT-AN6-10K	1.06 (26.9)	0.56 (14.1)	0.30 (7.5)	0.63 (15.9)	10000 (690)
3/4-16	SS-HPMT-AN8-10K	1.25 (31.8)	0.66 (16.7)	0.39 (9.9)	0.81 (20.6)	10000 (690)
7/8-14	SS-HPMT-AN10-10K	1.45 (36.8)	0.76 (19.3)	0.48 (12.3)	1.00 (25.4)	10000 (690)
1 1/16-12	SS-HPMT-AN12-10K	1.66 (42.2)	0.86 (21.9)	0.61 (15.5)	1.37 (34.9)	10000 (690)
1-5/16-12	SS-HPMT-AN16-10K	1.81 (46.0)	0.91 (23.1)	0.84 (21.4)	1.37 (34.9)	10000 (690)

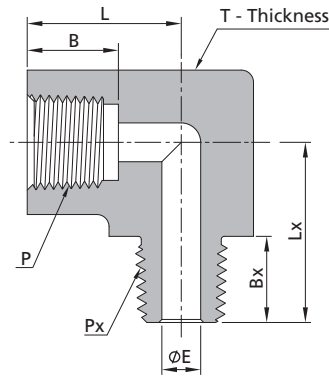
Male Elbows



Male ISO Parallel Threads						
P-ISO Parallel Size	Ordering Number	Dimension, in. (mm)				Working Pressure psig (bar)
		L	B	E	T	
G1/4	SS-HPME-HBP4-10K	1.06 (26.9)	0.43 (11.0)	0.19 (4.7)	0.63 (15.9)	10000 (690)
G3/8	SS-HPME-HBP6-10K	1.18 (30.0)	0.47 (12.0)	0.31 (7.9)	0.81 (20.6)	10000 (690)
G1/2	SS-HPME-HBP8-10K	1.34 (34.0)	0.55 (14.0)	0.44 (11.1)	1.00 (25.4)	10000 (690)
G3/4	SS-HPME-HBP12-10K	1.69 (42.8)	0.63 (16.0)	0.66 (16.7)	1.37 (34.9)	10000 (690)
G1	SS-HPME-HBP16-10K	1.81 (46.0)	0.75 (19.0)	0.87 (22.2)	1.50 (38.1)	10000 (690)

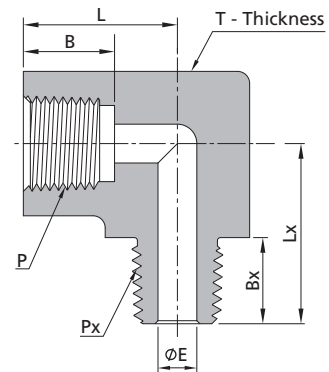
## 24 10K Series Pipe Fittings

### Street Elbows



Female NPT Threads			Male NPT Threads						
P-NPT Size	Px-NPT Size	Ordering Number	Dimension, in. (mm)						Working Pressure psig (bar)
			L	B	E	Lx	Bx	T	
1/8	1/8	SS-HPSE-NS2-10K	0.75 (19.1)	0.41 (10.4)	0.22 (5.5)	0.75 (19.1)	0.38 (9.7)	0.63 (15.9)	10000 (690)
1/8	1/4	SS-HPSE-NS2-NS4-10K	0.78 (19.8)	0.41 (10.4)	0.28 (7.1)	1.00 (25.4)	0.56 (14.2)	0.63 (15.9)	10000 (690)
1/8	3/8	SS-HPSE-NS2-NS6-10K	1.00 (25.4)	0.41 (10.4)	0.31 (8.0)	1.07 (27.2)	0.56 (14.2)	0.75 (19.1)	10000 (690)
1/4	1/4	SS-HPSE-NS4-10K	1.00 (25.4)	0.59 (15.0)	0.28 (7.1)	1.06 (27.0)	0.56 (14.2)	0.75 (19.1)	10000 (690)
1/4	3/8	SS-HPSE-NS4-NS6-10K	1.15 (29.1)	0.59 (15.0)	0.38 (9.6)	1.06 (27.0)	0.56 (14.2)	0.75 (19.1)	10000 (690)
1/4	1/2	SS-HPSE-NS4-NS8-10K	1.15 (29.1)	0.59 (15.0)	0.41 (10.4)	1.40 (35.5)	0.75 (19.1)	1.00 (25.4)	10000 (690)
3/8	3/8	SS-HPSE-NS6-10K	1.20 (30.6)	0.59 (15.0)	0.38 (9.6)	1.20 (30.6)	0.56 (14.2)	1.00 (25.4)	10000 (690)
3/8	1/2	SS-HPSE-NS6-NS8-10K	1.20 (30.6)	0.59 (15.0)	0.47 (11.9)	1.38 (35.0)	0.75 (19.1)	1.00 (25.4)	10000 (690)
1/2	1/2	SS-HPSE-NS8-10K	1.50 (38.1)	0.78 (19.8)	0.47 (11.9)	1.61 (40.8)	0.75 (19.1)	1.37 (34.9)	10000 (690)

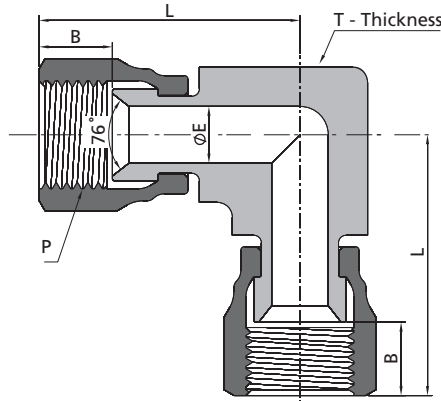
### Street Elbows



Female ISO Tapered Pipe Threads			Male ISO Tapered Threads						
P-ISO Tapered Size	Px-ISO Tapered Size	Ordering Number	Dimension, in. (mm)						Working Pressure psig (bar)
			L	B	E	Lx	Bx	T	
1/8	1/8	SS-HPSE-RT2-10K	0.75 (19.1)	0.41 (10.4)	0.22 (5.5)	0.82 (20.9)	0.38 (9.7)	0.63 (15.9)	10000 (690)
1/8	1/4	SS-HPSE-RT2-RT4-10K	0.78 (19.8)	0.41 (10.4)	0.28 (7.1)	1.00 (25.5)	0.56 (14.2)	0.63 (15.9)	10000 (690)
1/8	3/8	SS-HPSE-RT2-RT6-10K	0.95 (24.2)	0.41 (10.4)	0.31 (8.0)	1.07 (27.2)	0.56 (14.2)	0.75 (19.1)	10000 (690)
1/4	1/4	SS-HPSE-RT4-10K	1.00 (25.4)	0.59 (15.0)	0.28 (7.1)	1.06 (27.0)	0.56 (14.2)	0.75 (19.1)	10000 (690)
1/4	3/8	SS-HPSE-RT4-RT6-10K	1.00 (25.4)	0.59 (15.0)	0.38 (9.6)	1.06 (27.0)	0.56 (14.2)	0.75 (19.1)	10000 (690)
1/4	1/2	SS-HPSE-RT4-RT8-10K	1.15 (29.1)	0.59 (15.0)	0.41 (10.4)	1.40 (35.5)	0.75 (19.1)	1.00 (25.4)	10000 (690)
3/8	3/8	SS-HPSE-RT6-10K	1.20 (30.6)	0.59 (15.0)	0.38 (9.6)	1.20 (30.6)	0.56 (14.2)	1.00 (25.4)	10000 (690)
3/8	1/2	SS-HPSE-RT6-RT8-10K	1.20 (30.6)	0.59 (15.0)	0.47 (11.9)	1.38 (35.0)	0.75 (19.1)	1.00 (25.4)	10000 (690)
1/2	1/2	SS-HPSE-RT8-10K	1.50 (38.1)	0.78 (19.8)	0.47 (11.9)	1.61 (40.8)	0.75 (19.1)	1.37 (34.9)	10000 (690)

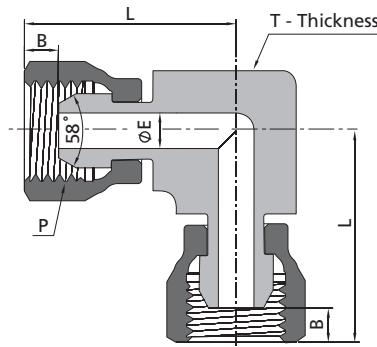
### Female Elbows

For Female Elbows contain threads of NPT or ISO Tapered, please see FITOK Pipe Fittings catalogue.



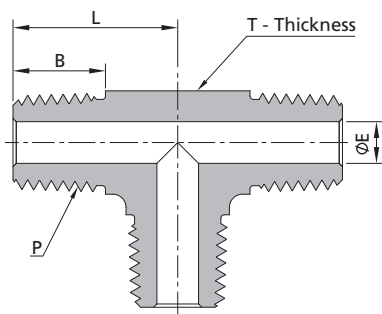
Female Swivel JIC							
P-SAE/MS Thread Size	Ordering Number	Dimension, in. (mm)				Working Pressure psig (bar)	
		L	B	E	T		
7/16-20	SS-HPE-AS4-10K	1.00 (25.4)	0.35 (9.0)	0.17 (4.4)	0.63 (15.9)	10000 (690)	
9/16-18	SS-HPE-AS6-10K	1.25 (31.8)	0.38 (9.7)	0.30 (7.5)	0.75 (19.1)	10000 (690)	
3/4-16	SS-HPE-AS8-10K	1.38 (35.1)	0.43 (11.0)	0.39 (9.9)	1.00 (25.4)	10000 (690)	
7/8-14	SS-HPE-AS10-10K	1.62 (41.1)	0.51 (13.0)	0.48 (12.3)	1.00 (25.4)	10000 (690)	
1 1/16-12	SS-HPE-AS12-10K	1.75 (44.4)	0.55 (14.0)	0.61 (15.5)	1.37 (34.9)	10000 (690)	
1-5/16-12	SS-HPE-AS16-10K	2.00 (50.8)	0.61 (15.5)	0.84 (21.4)	1.50 (38.1)	10000 (690)	

### Female Elbows



Female Swivel ISO Parallel Threads							
P-ISO Parallel Size	Ordering Number	Dimension, in. (mm)				Working Pressure psig (bar)	
		L	B	E	T		
G1/4	SS-HPE-SBP4-10K	0.89 (32.5)	0.18 (4.5)	0.19 (4.7)	0.63 (15.9)	10000 (690)	
G3/8	SS-HPE-SBP6-10K	1.06 (36.5)	0.25 (6.3)	0.31 (7.9)	0.81 (20.6)	10000 (690)	
G1/2	SS-HPE-SBP8-10K	1.25 (42.5)	0.28 (7.0)	0.44 (11.1)	1.00 (25.4)	10000 (690)	
G3/4	SS-HPE-SBP12-10K	1.45 (53.5)	0.35 (9.0)	0.66 (16.7)	1.37 (34.9)	10000 (690)	
G1	SS-HPE-SBP16-10K	1.66 (59.5)	0.43 (10.8)	0.87 (22.2)	1.50 (38.1)	10000 (690)	

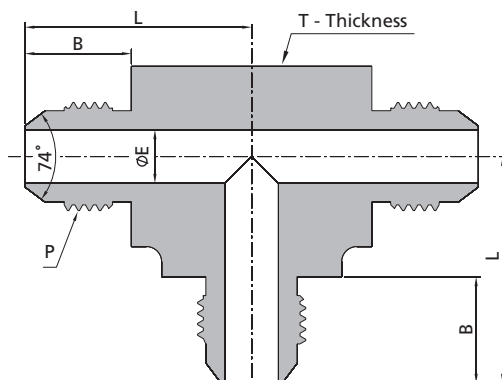
Male Tees



Male NPT Threads						
P-NPT Size	Ordering Number	Dimension, in. (mm)				Working Pressure psig (bar)
		L	B	E	T	
1/8	SS-HPMT-NS2-10K	0.75 (19.1)	0.38 (9.7)	0.22 (5.5)	0.50 (12.7)	10000 (690)
1/4	SS-HPMT-NS4-10K	1.00 (25.4)	0.56 (14.2)	0.28 (7.1)	0.63 (15.9)	10000 (690)
3/8	SS-HPMT-NS6-10K	1.10 (28.0)	0.56 (14.2)	0.38 (9.6)	0.75 (19.1)	10000 (690)
1/2	SS-HPMT-NS8-10K	1.44 (36.6)	0.75 (19.1)	0.47 (11.9)	1.00 (25.4)	10000 (690)

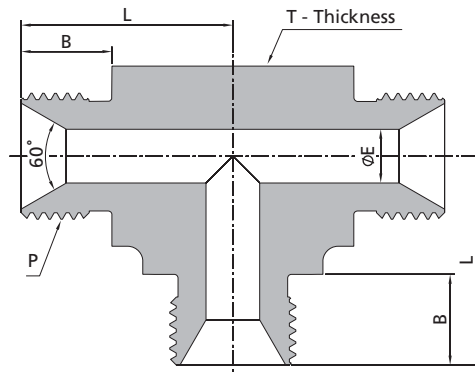
Male ISO Tapered Threads						
P-ISO Tapered Size	Ordering Number	Dimension, in. (mm)				Working Pressure psig (bar)
		L	B	E	T	
1/8	SS-HPMT-RT2-10K	0.75 (19.1)	0.38 (9.7)	0.22 (5.5)	0.50 (12.7)	10000 (690)
1/4	SS-HPMT-RT4-10K	1.00 (25.4)	0.56 (14.2)	0.28 (7.1)	0.63 (15.9)	10000 (690)
3/8	SS-HPMT-RT6-10K	1.10 (28.0)	0.56 (14.2)	0.38 (9.6)	0.75 (19.1)	10000 (690)
1/2	SS-HPMT-RT8-10K	1.44 (36.6)	0.75 (19.1)	0.47 (11.9)	1.00 (25.4)	10000 (690)

Male Tees



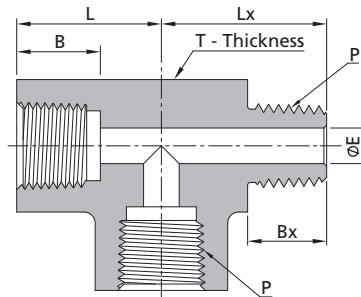
Male JIC						
P-SAE/MS Thread Size	Ordering Number	Dimension, in. (mm)				Working Pressure psig (bar)
		L	B	E	T	
7/16-20	SS-HPMT-AN4-10K	0.89 (22.6)	0.55 (14.0)	0.17 (4.4)	0.50 (12.7)	10000 (690)
9/16-18	SS-HPMT-AN6-10K	1.06 (26.9)	0.56 (14.1)	0.30 (7.5)	0.63 (15.9)	10000 (690)
3/4-16	SS-HPMT-AN8-10K	1.25 (31.8)	0.66 (16.7)	0.39 (9.9)	0.81 (20.6)	10000 (690)
7/8-14	SS-HPMT-AN10-10K	1.45 (36.8)	0.76 (19.3)	0.48 (12.3)	1.00 (25.4)	10000 (690)
1 1/16-12	SS-HPMT-AN12-10K	1.66 (42.2)	0.86 (21.9)	0.61 (15.5)	1.37 (34.9)	10000 (690)
1-5/16-12	SS-HPMT-AN16-10K	1.81 (46.0)	0.91 (23.1)	0.84 (21.4)	1.37 (34.9)	10000 (690)

Male Tees



Male ISO Parallel Threads							
P-ISO Parallel Size	Ordering Number	Dimension, in. (mm)				Working Pressure psig (bar)	
		L	B	E	T		
G1/4	SS-HPMT-HBP4-10K	1.06 (26.9)	0.43 (11.0)	0.19 (4.7)	0.63 (15.9)	10000 (690)	
G3/8	SS-HPMT-HBP6-10K	1.18 (30.0)	0.47 (12.0)	0.31 (7.9)	0.81 (20.6)	10000 (690)	
G1/2	SS-HPMT-HBP8-10K	1.34 (34.0)	0.55 (14.0)	0.44 (11.1)	1.00 (25.4)	10000 (690)	
G3/4	SS-HPMT-HBP12-10K	1.69 (42.8)	0.63 (16.0)	0.66 (16.7)	1.37 (34.9)	10000 (690)	
G1	SS-HPMT-HBP16-10K	1.81 (46.0)	0.75 (19.0)	0.87 (22.2)	1.50 (38.1)	10000 (690)	

Male Street Tees

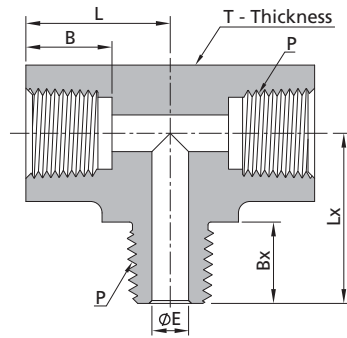


NPT Threads								
P-NPT Size	Ordering Number	Dimension, in. (mm)						Working Pressure psig (bar)
		L	B	Lx	Bx	E	T	
1/8	SS-HPST-NS2-10K	0.75 (19.1)	0.41 (10.4)	0.75 (19.1)	0.38 (9.7)	0.22 (5.5)	0.63 (15.9)	10000 (690)
1/4	SS-HPST-NS4-10K	1.00 (25.4)	0.59 (15.0)	1.06 (27.0)	0.56 (14.2)	0.28 (7.1)	0.75 (19.1)	10000 (690)
3/8	SS-HPST-NS6-10K	1.20 (30.6)	0.59 (15.0)	1.20 (30.6)	0.56 (14.2)	0.38 (9.6)	1.00 (25.4)	10000 (690)
1/2	SS-HPST-NS8-10K	1.50 (38.1)	0.78 (19.8)	1.61 (40.8)	0.75 (19.1)	0.47 (11.9)	1.37 (34.9)	10000 (690)

ISO Tapered Pipe Threads								
P-ISO Tapered Size	Ordering Number	Dimension, in. (mm)						Working Pressure psig (bar)
		L	B	Lx	Bx	E	T	
1/8	SS-HPST-RT2-10K	0.75 (19.1)	0.41 (10.4)	0.75 (19.1)	0.38 (9.7)	0.22 (5.5)	0.63 (15.9)	10000 (690)
1/4	SS-HPST-RT4-10K	1.00 (25.4)	0.59 (15.0)	1.06 (27.0)	0.56 (14.2)	0.28 (7.1)	0.75 (19.1)	10000 (690)
3/8	SS-HPST-RT6-10K	1.20 (30.6)	0.59 (15.0)	1.20 (30.6)	0.56 (14.2)	0.38 (9.6)	1.00 (25.4)	10000 (690)
1/2	SS-HPST-RT8-10K	1.50 (38.1)	0.78 (19.8)	1.61 (40.8)	0.75 (19.1)	0.47 (11.9)	1.37 (34.9)	10000 (690)

## 28 10K Series Pipe Fittings

### Male Branch Tees

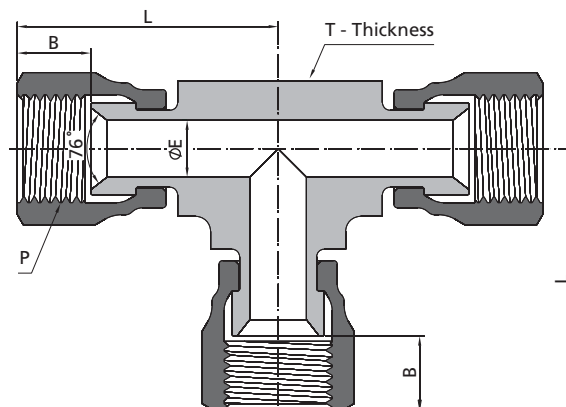


NPT Threads								
P-NPT Size	Ordering Number	Dimension, in. (mm)						Working Pressure psig (bar)
		L	B	Lx	Bx	E	T	
1/8	SS-HPBT-NS2-10K	0.75 (19.1)	0.41 (10.4)	0.75 (19.1)	0.38 (9.7)	0.22 (5.5)	0.63 (15.9)	10000 (690)
1/4	SS-HPBT-NS4-10K	1.00 (25.4)	0.59 (15.0)	1.06 (27.0)	0.56 (14.2)	0.28 (7.1)	0.75 (19.1)	10000 (690)
3/8	SS-HPBT-NS6-10K	1.20 (30.6)	0.59 (15.0)	1.20 (30.6)	0.56 (14.2)	0.38 (9.6)	1.00 (25.4)	10000 (690)
1/2	SS-HPBT-NS8-10K	1.50 (38.1)	0.78 (19.8)	1.61 (40.8)	0.75 (19.1)	0.47 (11.9)	1.37 (34.9)	10000 (690)

ISO Tapered Pipe Threads								
P-ISO Tapered Size	Ordering Number	Dimension, in. (mm)						Working Pressure psig (bar)
		L	B	Lx	Bx	E	T	
1/8	SS-HPBT-RT2-10K	0.75 (19.1)	0.41 (10.4)	0.75 (19.1)	0.38 (9.7)	0.22 (5.5)	0.63 (15.9)	10000 (690)
1/4	SS-HPBT-RT4-10K	1.00 (25.4)	0.59 (15.0)	1.06 (27.0)	0.56 (14.2)	0.28 (7.1)	0.75 (19.1)	10000 (690)
3/8	SS-HPBT-RT6-10K	1.20 (30.6)	0.59 (15.0)	1.20 (30.6)	0.56 (14.2)	0.38 (9.6)	1.00 (25.4)	10000 (690)
1/2	SS-HPBT-RT8-10K	1.50 (38.1)	0.78 (19.8)	1.61 (40.8)	0.75 (19.1)	0.47 (11.9)	1.37 (34.9)	10000 (690)

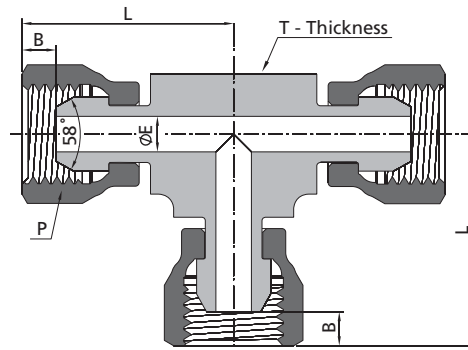
### Female Tees

For Female Tees contain threads of NPT or ISO Tapered, please see FITOK Pipe Fittings catalogue.



Female Swivel JIC								
P-SAE/MS Thread Size	Ordering Number	Dimension, in. (mm)						Working Pressure psig (bar)
		L	B	E	T			
7/16-20	SS-HPT-AS4-10K	1.00 (25.4)	0.35 (9.0)	0.17 (4.4)	0.63 (15.9)			10000 (690)
9/16-18	SS-HPT-AS6-10K	1.25 (31.8)	0.38 (9.7)	0.30 (7.5)	0.75 (19.1)			10000 (690)
3/4-16	SS-HPT-AS8-10K	1.38 (35.1)	0.43 (11.0)	0.39 (9.9)	1.00 (25.4)			10000 (690)
7/8-14	SS-HPT-AS10-10K	1.62 (41.1)	0.51 (13.0)	0.48 (12.3)	1.00 (25.4)			10000 (690)
1 1/16-12	SS-HPT-AS12-10K	1.75 (44.4)	0.55 (14.0)	0.61 (15.5)	1.37 (34.9)			10000 (690)
1-5/16-12	SS-HPT-AS16-10K	2.00 (50.8)	0.61 (15.5)	0.84 (21.4)	1.50 (38.1)			10000 (690)

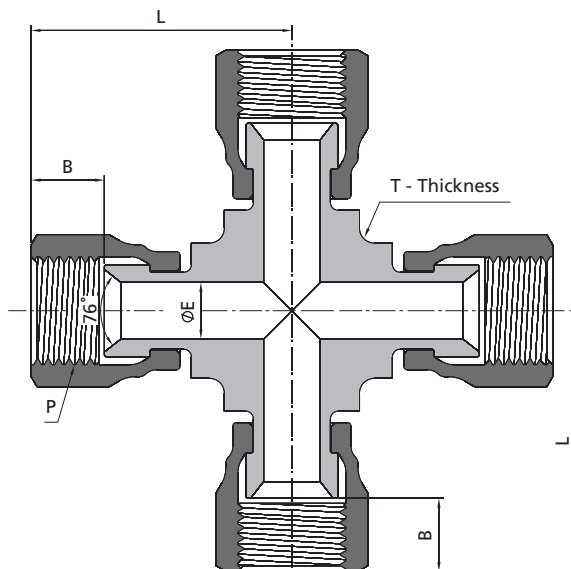
Female Tees



Female Swivel ISO Parallel Threads						
P-ISO Parallel Size	Ordering Number	Dimension, in. (mm)				Working Pressure psig (bar)
		L	B	E	T	
G1/4	SS-HPT-SBP4-10K	0.89 (32.5)	0.18 (4.5)	0.19 (4.7)	0.63 (15.9)	10000 (690)
G3/8	SS-HPT-SBP6-10K	1.06 (36.5)	0.25 (6.3)	0.31 (7.9)	0.81 (20.6)	10000 (690)
G1/2	SS-HPT-SBP8-10K	1.25 (42.5)	0.28 (7.0)	0.44 (11.1)	1.00 (25.4)	10000 (690)
G3/4	SS-HPT-SBP12-10K	1.45 (53.5)	0.35 (9.0)	0.66 (16.7)	1.37 (34.9)	10000 (690)
G1	SS-HPT-SBP16-10K	1.66 (59.5)	0.43 (10.8)	0.87 (22.2)	1.50 (38.1)	10000 (690)

Female Crosses

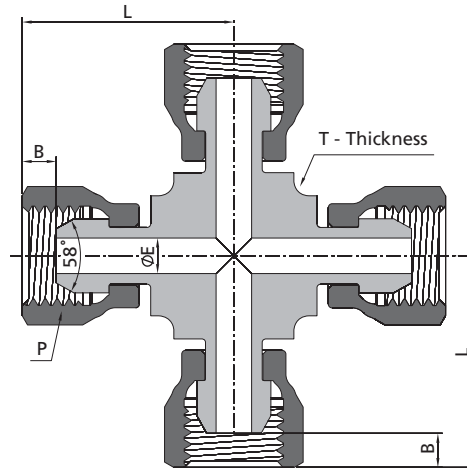
For Female Crosses contain threads of NPT or ISO Tapered, please see FITOK Pipe Fittings catalogue.



Female Swivel JIC						
P-SAE/MS Thread Size	Ordering Number	Dimension, in. (mm)				Working Pressure psig (bar)
		L	B	E	T	
7/16-20	SS-HPCR-AS4-10K	1.00 (25.4)	0.35 (9.0)	0.17 (4.4)	0.63 (15.9)	10000 (690)
9/16-18	SS-HPCR-AS6-10K	1.25 (31.8)	0.38 (9.7)	0.30 (7.5)	0.75 (19.1)	10000 (690)
3/4-16	SS-HPCR-AS8-10K	1.38 (35.1)	0.43 (11.0)	0.39 (9.9)	1.00 (25.4)	10000 (690)
7/8-14	SS-HPCR-AS10-10K	1.62 (41.1)	0.51 (13.0)	0.48 (12.3)	1.00 (25.4)	10000 (690)
1 1/16-12	SS-HPCR-AS12-10K	1.75 (44.4)	0.55 (14.0)	0.61 (15.5)	1.37 (34.9)	10000 (690)
1-5/16-12	SS-HPCR-AS16-10K	2.00 (50.8)	0.61 (15.5)	0.84 (21.4)	1.50 (38.1)	10000 (690)

## 30 10K Series Pipe Fittings

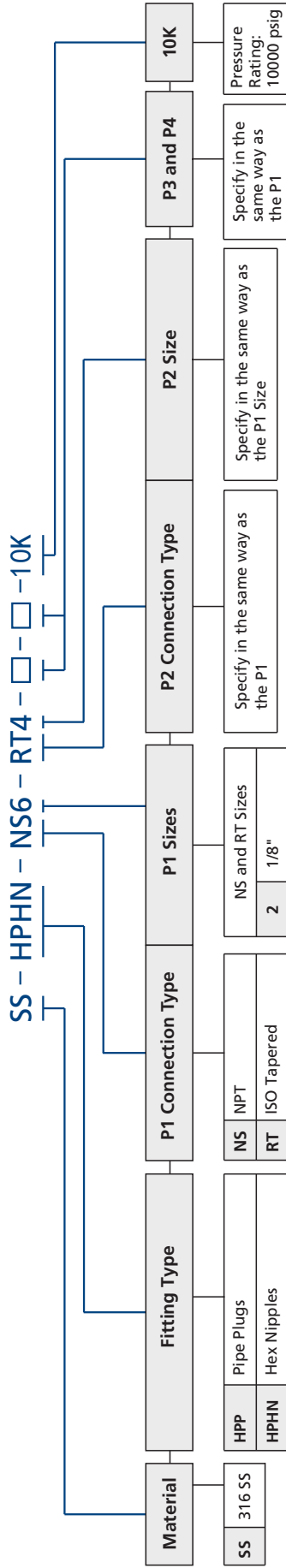
### Female Crosses



Female Swivel ISO Parallel Threads						
P-ISO Parallel Size	Ordering Number	Dimension, in. (mm)				Working Pressure psig (bar)
		L	B	E	T	
G1/4	SS-HPCR-SBP4-10K	0.89 (32.5)	0.18 (4.5)	0.19 (4.7)	0.63 (15.9)	10000 (690)
G3/8	SS-HPCR-SBP6-10K	1.06 (36.5)	0.25 (6.3)	0.31 (7.9)	0.81 (20.6)	10000 (690)
G1/2	SS-HPCR-SBP8-10K	1.25 (42.5)	0.28 (7.0)	0.44 (11.1)	1.00 (25.4)	10000 (690)
G3/4	SS-HPCR-SBP12-10K	1.45 (53.5)	0.35 (9.0)	0.66 (16.7)	1.37 (34.9)	10000 (690)
G1	SS-HPCR-SBP16-10K	1.66 (59.5)	0.43 (10.8)	0.87 (22.2)	1.50 (38.1)	10000 (690)

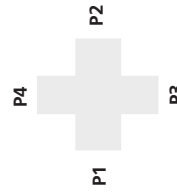


Part Number Description



Material	Fitting Type	P1 Connection Type	P1 Sizes
SS	HPP Pipe Plugs	NS NPT	NS and RT Sizes
	HPHN Hex Nipples	RT ISO Tapered	2 1/8"
	HPLN Hex Long Nipples	SH Heavy-Duty SAE/MS (Accordance with SAE J1926-2)	4 1/4"
	HPC Pipe Caps	US US o-ring Seal SAE/MS(Accordance with SAE J1926-1)	6 3/8"
	HMC Pipe Caps Assembly (Moveable Insert)	AN JIC (37° Flare)	8 1/2"
	HPCG Hex Couplings	AS AS JIC(37°Flare) Female Swivel	12 3/4"
	HPA Adapters	HM Type "M" Male	16 1"
	HPME Male Elbows	HBP ISO Parallel Male	SH US and HM Sizes
	HPSE Street Elbows	SBP ISO Parallel Female Swivel	7 7/16-20
	HPE Female Elbows		9 9/16-18
	HPMT Male Tees		12 3/4-16
	HPST Male Street Tees		14 7/8-14
	HPBT Male Branch Tees		16 1-12
	HPT Female Tees		21 1 5/16-12
	HPCR Female Crosses		AN and AS Sizes

Note: "Part Number Description" is used for composition rules of FITOK product model, not suitable for specific product part number selection, not random combinations. If in doubt, please contact FITOK Group or authorized agent.



- P1, P2, P3 and P4 shall be described in the following orders:*
- ⦿ Female thread end is the first if contains
  - ⦿ For male connections: NPT-ISO Tapered-Heavy Duty SAE/MS -JIC (37° Flare)-Type "M" Male-ISO Parallel Male
  - ⦿ For female connections: NPT-ISO Tapered-O-ring Seal SAE/MS-JIC (37 flare) Female Swivel-ISO Parallel Female Swivel
  - ⦿ Describe the descending order as per size if the end connection types are the same
  - ⦿ Describe the end of P1 if all end connections are the same

## **FITOK Group**

### **FITOK GmbH (Headquarter)**

Sprendlinger Landstr. 115, 63069 Offenbach am Main, Germany  
Tel.: +49 69 8900 4498 Fax: +49 69 8900 4495

### **FITOK, Inc.**

13843 North Promenade Blvd., Suite 750, Stafford, Texas 77477, USA  
Tel.: +1 281 888 0077 Fax: +1 281 582 4051

### **FITOK Incorporated**

Block C, Zone E, Yingtai Industrial Park, Dalang Street,  
Longhua District, Shenzhen, 518109, China  
Tel.: +86 755 2803 2500 Fax: +86 755 2803 2619

### **FITOK Middle East Oil Equipment Trading LLC**

208-209, Makateb Building, Airport Road, P.O.Box 185412, Deira, Dubai, UAE  
Tel.: +971 4 2959 853 Fax: +971 4 2959 854

[info@fitokgroup.com](mailto:info@fitokgroup.com)  
[www.fitokgroup.com](http://www.fitokgroup.com)

FK-IC-GF-12-EN-180228